

ACCESS SERVICE

---

7. Special Access Service\*\*

7.1 General

Special Access Service provides a transmission path to connect customer designated premises\*, either directly or through a Telephone Company Hub where bridging, multiplexing or Reconfigure Service functions are performed. In addition, Special Access provides a transmission path to connect a customer designated premises to a WATS Serving Office (WSO), to a wire center where connection to an advanced data service# occurs, or to a fiber meet location of a Dedicated SONET Ring Service as set forth in Section 23.1 following or an Dedicated SONET Optical Transport Service as set forth in Interstate Service Guide No. 4. Special Access Service includes all exchange access not utilizing Telephone Company end office switches, with the exception of Reconfigure Service and WATS Access Line Service.

The connections provided by Special Access Service can be either analog or digital. Analog connections are differentiated by spectrum and bandwidth. Digital connections are differentiated by bit rate.

7.1.1 Channel Types

There are ten types of channels used to provide Special Access Services. Each type has its own characteristics. All are subdivided by one or more of the following:

- Transmission specifications,
- Bandwidth,
- Speed (i.e., bit rate),
- Spectrum

Customers can order a basic channel and select, from a list of available transmission parameters and channel interfaces, those that they desire to meet specific communications requirements.

\* When Telephone Company central office switches provide local exchange service which utilize a common line which must be interconnected for interstate communications (e.g., Centrex), the Telephone Company central office, where the local exchange service ends and the access connection begins, shall be treated as a customer premises for purposes of this tariff. The physical space from which other Telephone Company services are provided, whether or not on Telephone Company property, shall be treated as a customer premises. The central office where packet data services and data base services reside shall also be included in this definition.

\*\* Pursuant to FCC 17-43, released April 28, 2017, Frontier has detariffed (1) TDM channel terminations for wire centers in competitive counties; (2) TDM transport charges; and (3) packet-based services. Terms and Conditions for detariffed services can be found in the Interstate Service Guide and Pricelist.

(N)

(T)

# Advanced data services include Telephone Company provided frame relay services, switched multi-megabit services, Internet Protocol services and ATM-cell relay services. Connections to advanced data services are provided by the Telephone Company where such connections are technically and operationally feasible, as determined by the Telephone Company.

---

ACCESS SERVICE

---

7. Special Access Service (Cont'd)7.1 General (Cont'd)7.1.1 Channel Types (Cont'd)

For purposes of ordering channels, each has been identified as a type of Special Access Service. However, such identification is not intended to limit a customer's use of the channel nor to imply that the channel is limited to a particular use. For example, if a customer's equipment is capable of transmitting voice over a channel that is identified as a Metallic Service in this tariff, there is no restriction against doing so.

Following is a brief description of each type of channel:

Metallic - a channel for the transmission of low speed varying signals at rates up to 30 baud.

Telegraph Grade - a channel for the transmission of binary signals at rates of 0 to 75 baud or 0 to 150 baud.

Voice Grade - a channel for the transmission of analog signals within an approximate bandwidth of 300-3000 Hz.

WATS Access Line - a channel between a customer designated premises and a WATS Serving Office (WSO) for transmission of interstate or international traffic.

Program Audio - a channel for the transmission of audio signals. The nominal frequency bandwidths are from 50 to 15000 Hz, from 200 to 3500 Hz, from 100 to 5000 Hz or from 50 to 8000 Hz.

Video - a channel for the transmission of a standard 525 line/60 field monochrome or National Television Systems Committee color video signal and one or two associated 5 or 15 kHz audio signals. The bandwidth for a video channel is either 30 Hz to 4.5 MHz or 30 Hz to 6.6 MHz.

Serial Component Video – a channel for one-way transmission, at a rate of 270 Mbps, of broadcast quality 4:2:2 component video signals in serial digital format.

Wideband Analog - a channel for the transmission of wideband signals. The bandwidths are from 60 to 108 kHz (Group), from 312 to 552 kHz (Supergroup), from 564 to 3084 kHz (Mastergroup), from 300 Hz to 18 kHz, from 29 to 44 kHz or from 28 to 44 kHz.

Wideband Data - an analog channel for the transmission of synchronous serial data at rates of 19.2, 50.0 or 230.4 kbps or asynchronous serial data at rates of up to 19.2, 50.0 or 230.4 kbps.

---

ACCESS SERVICE

---

7. Special Access Service (Cont'd)7.1 General (Cont'd)7.1.1 Channel Types (Cont'd)

Digital Data - a channel for the digital transmission of data at rates of 2.4, 4.8, 9.6, 19.2, 56 or 64 kbps.

High Capacity - a channel for the transmission of isochronous serial digital data at rates of 1.544, 3.152 or 44.736 Mbps.

High-Definition (Hi-Def) Digital Video Transport Service – a channel for one-way broadband transmission of high quality video signals in digital format, at a rate of 19.39 Mbps or 1.485 Gbps.

45 Mbps Digital Video Transport Service – a channel for one-way broadband transmission, at a rate of 45 Mbps, of high quality video signals in digital format.

Supertrunking Transport Video Service (SVS) – a channel with a bandwidth of up to either 750 MHz or 870 MHz for the transmission of multiple Amplitude Modulation (AM) standard 525 line/60 field monochrome or National Television Systems committee (NTSC) color video signals and monaural or Broadcast Television Systems Committee (BTSC) stereo audio signals over fiber optic facilities.

Detailed descriptions of each of the channel types are provided in 7.2 following:

The customer also has the option of ordering Voice Grade and analog and digital high capacity facilities (i.e., Group, Supergroup, Mastergroup, 1.544 Mbps, 3.152 Mbps, and 44.736 Mbps) to a Telephone Company Hub for multiplexing to individual channels of a lower capacity or bandwidth. Descriptions of the types of multiplexing available at the Hubs, as well as the number of individual channels which may be derived from each type of facility are set forth in 7.2 following. Additionally, the customer may specify optional features for the individual channels derived from the facility to further tailor the channel to meet specific communications requirements. Descriptions of the optional features and functions available are also set forth in 7.2 following.

For example, a customer may order a DS3/44.736 Mbps facility from a customer designated premises to a Telephone Company Hub for multiplexing to twenty-eight 1.544 Mbps channels. The 1.544 Mbps channels may be further multiplexed at the same or a different Hub to Voice Grade or Wideband Analog (i.e., Group level) channels or may be extended to other customer designated premises. Optional features may be added to either the 1.544 Mbps or the Voice Grade Channels.

ACCESS SERVICE

7. Special Access Service (Cont'd)

7.1 General (Cont'd)

7.1.2 Rate Categories

There are five basic rate categories which apply to Special Access Service:

- Channel Terminations, including WATS Access Connections (WACs) (described in 7.1.2(A) following)
- Channel Mileage (described in 7.1.2(B) following)
- Optional Features and Functions (described in 7.1.2(C) following)
- Surcharge (described in 7.4.2 following)
- Message Station Equipment Recovery Charge (described in 7.4.3 following)

Additionally, rates and charges for Integrated Optical Service Riders may also apply to Special Access connected to Integrated Optical Service Riders as set forth in Section 24.1 following.

(A) Channel Termination

The Channel Termination rate category provides for the communications path between a customer designated premises and the serving wire center of that premises. Included as part of the Channel Termination is a standard channel interface arrangement which defines the technical characteristics associated with the type of facilities to which the access service is to be connected at the Point of Termination (POT) and the type of signaling capability, if any. The signaling capability itself is provided as an optional feature as set forth in (C) following. One Channel Termination charge applies per customer designated premises at which the channel is terminated. This charge will apply even if the customer designated premises and the serving wire center are collocated in a Telephone Company building. For WATS Access Line Service, the WATS Serving Office (WSO) is never considered a customer premises. A Channel Termination charge does not apply at a DSR fiber meet location where high speed interconnection of the Company's facilities to the facilities of the customer or of a third party occurs.

The Channel Termination rate category may also be employed to provide for connections to other service offerings.

Rates for End User Channel Terminations are subject to the rules governing Competitive and Non-Competitive Counties as discussed in Section 14.4. Where Competitive and Non-Competitive Rates are present the Channel Termination consists of two different rate elements: an End User Channel termination that serves the customer premises and an Interexchange Carrier (IC) Point of Presence (POP) that is collocated in a Company serving wire center. The customer will be charged for both the End User Channel Termination and the IC Channel Termination.

(N)  
|  
(N)

ACCESS SERVICE

7. Special Access Service (Cont'd)

7.1 General (Cont'd)

7.1.2 Rate Categories (Cont'd)

(B) Channel Mileage

The Channel Mileage rate category provides for the transmission facilities between the serving wire centers associated with two customer designated premises, between a serving wire center associated with a customer designated premises and a Telephone Company Hub, between a serving wire center and a wire center where connection to an advanced data service occurs or between two Telephone Company Hubs. The Channel Mileage rate category also provides for the dedicated ring facilities between devices (nodes, high speed interfaces, or amplifiers) on a DSR as set forth in Section 23.1 following or DSOTS Service as set forth in 7.2.14(C)(4). A serving wire center associated with a customer's designated premises may be either the wire center from which the customer would normally obtain dial tone or an alternate serving wire center as described in 7.2.9(D)(7) following. Channel Mileage rates are comprised of a fixed rate element and a per mile rate element.

(M)  
 |  
 (M)

(C) Optional Features and Functions

The Optional Features and Functions rate category provides for optional features and functions which may be added to a Special Access Service to improve its quality or utility to meet specific communications requirements. These are not necessarily identifiable with specific equipment, but rather represent the end result in terms of performance characteristics which may be obtained. These characteristics may be obtained by using various combinations of equipment. Although the equipment necessary to perform a specified function may be installed at various locations along the path of the service, they will be charged as a single rate element.

The following is a list of Bell Atlantic's Open Network Architecture (ONA) Special Access Basic Service Elements (BSEs) which provides a cross-reference to the generic name contained in Bell Operating Companies, Service Descriptions, ONA Services User Guide, July 31, 1991, from the product name utilized in this tariff.

<u>GENERIC NAME</u>	<u>BELL ATLANTIC PRODUCT NAME</u>
Access to Clear Channel Transmission	Clear Channel Capability
Automatic Protection Switching	Automatic Loop Transfer
Bridging	Bridging
Conditioning	Conditioning
Inband Signaling	Inband Signaling
Network Reconfiguration	Network Reconfiguration
Route Diversity	Route Diversity
Secondary Channel Capability	Secondary Channel

Material on this page used to appear on Page 7-4.

Issued: November 16, 2017

Effective: December 1, 2017

(This page filed under Transmittal No. 79)  
 Vice President, Government and Regulatory Affairs  
 180 S. Clinton Ave., Rochester, NY 14646

---

ACCESS SERVICE

---

7. Special Access Service (Cont'd)7.1 General (Cont'd)7.1.2 Rate Categories (Cont'd)(C) Optional Features and Functions (Cont'd)

Examples of Optional Features and Functions that are available include, but are not limited to, the following:

- Signaling Capability
- Hubbing Functions
- Conditioning
- Transfer Arrangements

A Hub is a Telephone Company designated serving wire center which may perform bridging, multiplexing, and/or Reconfigure Service reconfiguration functions. The bridging functions performed are to connect three or more customer designated premises in a multipoint arrangement. The multiplexing functions are to channelize analog or digital facilities to individual services requiring a lower capacity or bandwidth. Reconfigure Service allows the customer the capability to reconfigure their special access services.

Descriptions for each of the available Optional Features and Functions are set forth in 7.2 following. Reconfigure Service is described in 7.2.12, following.

7.1.3 Service Configurations

There are two types of service configurations over which Special Access Services are provided: two-point service and multi-point service.

(A) Two-Point Service

A two-point service connects two customer designated premises, either on a directly connected basis or through a Hub where multiplexing or Reconfigure Service functions are performed. Two point service also connects a customer designated premises and a WATS Serving Office (WSO).

Applicable rate elements are:

- Channel Termination(s)
- Channel Mileage (as applicable)
- Optional Features and Functions (when applicable)

In addition, a Special Access Surcharge as set forth in 7.4.2 following, a Message Station Equipment Recovery Charge as set forth in 7.4.3 following may be applicable.

ACCESS SERVICE

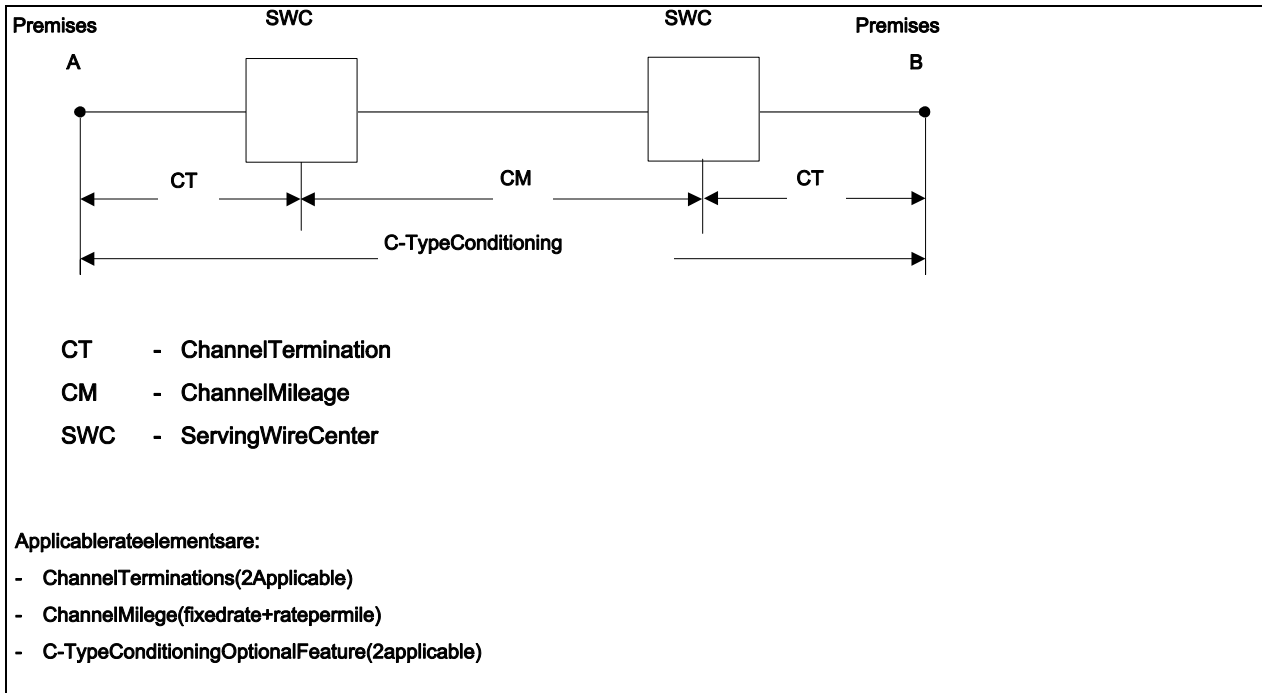
7. Special Access Service (Cont'd)

7.1 General (Cont'd)

7.1.3 Service Configurations (Cont'd)

(A) Two-Point Service

The following diagram depicts a two-point Voice Grade service connecting two customer designated premises located 15 miles apart. The service is provided with C-Type Conditioning.



---

ACCESS SERVICE

---

7. Special Access Service (Cont'd)7.1 General (Cont'd)7.1.3 Service Configurations (Cont'd)(B) Multipoint Service

Multipoint service connects three or more customer designated premises through a Telephone Company Hub. There is no limitation on the number of mid-links available with multipoint service. However, when more than three mid-links are provided in tandem, the quality of the service may be degraded. A mid-link is a channel between Hubs (i.e., bridging locations). Only certain types of Special Access Service are provided as multipoint service. These are so designated in the Service Descriptions set forth in 7.2 following.

Multipoint service utilizing a customized technical specifications package as set forth in 7.2 following will be provided when technically possible. If the Telephone Company determines that the requested characteristics for a multi-point service are not compatible, the customer will be advised and given the opportunity to change the order.

When ordering, the customer will specify the desired bridging Hub(s) selected from the Exchange Carrier Association Tariff F.C.C. No. 4. This Tariff identifies type(s) of bridging functions which are available and the serving wire centers at which they are available.

Applicable Rate Elements are:

- Channel Terminations (one per customer designated premises)
- Channel Mileage (as applicable between each designated customer premises and the Hub and between Hubs)
- Bridging
  
- Additional Optional Features (when applicable).

In addition, the Special Access Surcharge as set forth in 7.4.2 following and a Message Station Equipment Recovery Charge as set forth in 7.4.3 following may be applicable.



ACCESS SERVICE

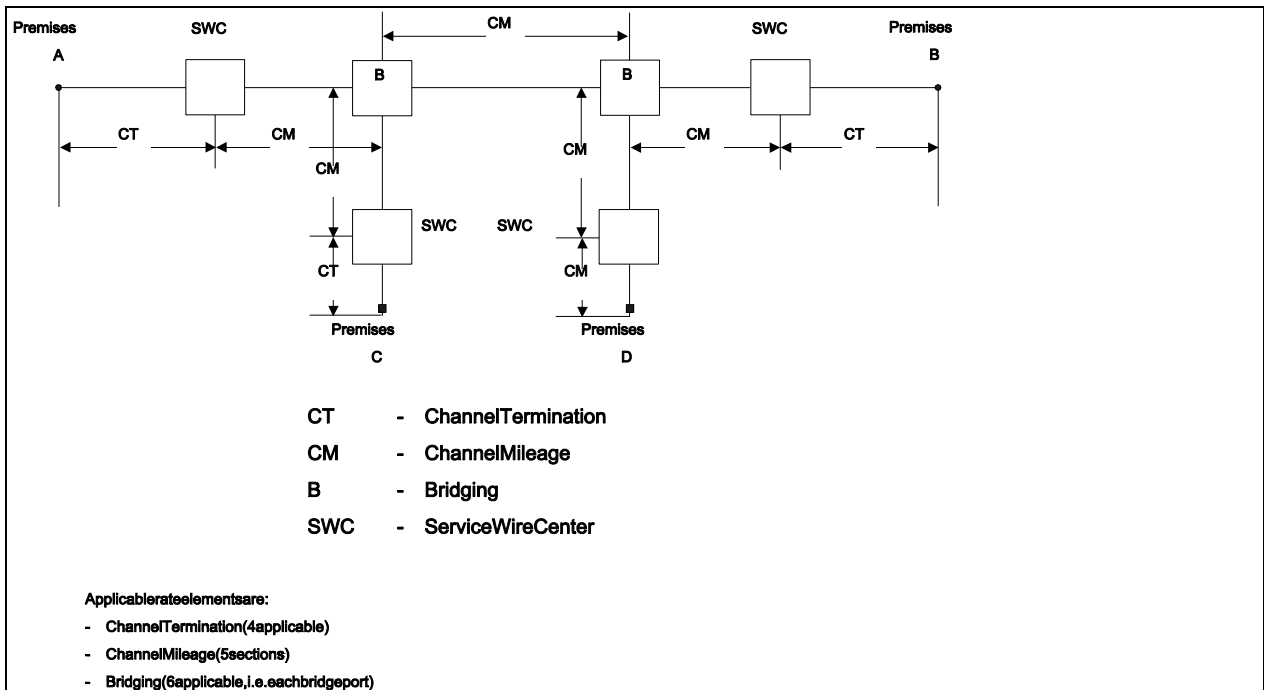
7. Special Access Service (Cont'd)

7.1 General (Cont'd)

7.1.3 Service Configurations (Cont'd)

(B) Multipoint Service (Cont'd)

Example: Voice Grade multipoint service connecting four customer premises via two customer specified bridging hubs.



---

ACCESS SERVICE

---

7. Special Access Service (Cont'd)7.1 General (Cont'd)7.1.4 Alternate Use

Alternate Use occurs when a service is arranged by the Telephone Company so that the customer can select different types of transmission at different times. A customer may use a service in any privately beneficial manner. However, where technical or engineering changes are required to effectuate an alternate use, the Telephone Company will make such special arrangements available on an individual case basis.

The arrangement required to transfer the service from one operation to the other (i.e., the transfer relay and control leads) will be rated and provided on an individual case basis and filed in Section 12, Specialized Service or Arrangements. The customer will pay the stated tariff rates for the Access Service rate elements for the service ordered (i.e., Channel Terminations, Channel Mileage [as applicable] and Optional Features [if any]).

7.1.5 Special Facilities Routing

A customer may request that the facilities used to provide Special Access Service be specially routed. The regulations, rates and charges for Special Facilities Routing (i.e., Avoidance, Diversity and Cable-Only) are set forth in this section and in 11. following:

7.1.6 Design Layout Report

At the request of the customer, the Telephone Company will provide to the customer the make-up of the facilities and services provided under this tariff as Special Access Service to aid the customer in designing its overall service. This information will be provided in the form of a Design Layout Report. The Design Layout Report will be provided to the customer at no charge, and will be reissued or updated whenever these facilities are materially changed.

7.1.7 Acceptance Testing

At no additional charge, the Telephone Company will, at the customer's request, cooperatively test, at the time of installation, the following parameters:

- (A) For Voice Grade analog and WATS Access Line services, acceptance tests will include test for loss, 3-tone slope, DC continuity, operational signaling, C-notched noise and C-message noise when these parameters are applicable and specified in the order for service. Additionally, for Voice Grade services, a balance (improved loss) test will be made if the customer has ordered the improved loss optional feature.
- (B) For other analog services (i.e., Metallic, Telegraph, Program Audio, Video, Wideband Analog and Wideband Data) and for digital services (i.e., Digital Data High Capacity) acceptance tests will include tests for the parameters applicable to the service as specified in the order for service.

---

ACCESS SERVICE

---

7. Special Access Service (Cont'd)7.1 General (Cont'd)7.1.7 Acceptance Testing (Cont'd)

In addition to the above tests, Additional Cooperative Acceptance Testing for Voice Grade Service to test other parameters, as described in 13.3.4(B)(1) following, is available at the customer's request. All test results will be made available to the customer upon request.

7.1.8 Ordering Options and Conditions

Special Access Service is ordered under the Access Order provisions set forth in 5. preceding. Also included in that section are other charges which may be associated with ordering Special Access Service (e.g., Service Date Change Charges, Cancellation Charges, etc.)

7.1.9 Special Access Surcharge

In addition, a Special Access Surcharge as set forth in 7.5.14 following will apply to jurisdictionally interstate private line facilities provided by the Telephone Company to a customer, in accordance with regulations as set forth in 7.4.2 following.

7.1.10 Connections with Other Network Services

Special Access Service may be ordered to allow connections between the end user premises and serving wire center which provides Other Network Services.

7.2 Service Descriptions

For the purposes of ordering, there are ten categories of Special Access Service. These are:

- Metallic (MT)
- Telegraph Grade (TG)
- Voice Grade (VG)
- WATS Access Connection (WAC)
- Program Audio (AP)
- Video (TV)
- Wideband Analog (WA)
- Wideband Data (WD)
- Digital Data (DA)
- High Capacity (HC)

---

ACCESS SERVICE

---

7. Special Access Service (Cont'd)7.2 Service Descriptions (Cont'd)

Each service consists of a basic channel to which a technical specifications package (customized or predefined), channel interface(s) and, when desired, optional features and functions are added to construct the service desired by the customer. Each of the components of the service are described in this section.

Customized technical specifications packages will be provided where technically feasible. If the Telephone Company determines that the requested parameter specifications are not compatible, the customer will be advised and given the opportunity to change the order.

When a customized channel is ordered the customer will be notified whether Additional Engineering Charges apply. In such cases, the customer will be given an estimate of the hours to be billed before any further action is taken on the order.

The channel description specifies the characteristics of the basic channel and indicates whether the channel is provided between customer designated premises or between a customer designated premises and a Telephone Company Hub where bridging or multiplexing functions are performed.

Information pertaining to the technical specifications packages indicates the transmission parameters that are available with each package. This information is displayed in a matrix with the transmission parameters listed down the left side and the packages listed across the top. Each package is identified by a code, e.g., VGC. The first two letters of the code indicate the category of Special Access Service to which the parameters are applicable. These two letter codes are shown above in parentheses following the category of Special Access Service. The letter "C" following the two letter code indicates the technical specifications package for a customized service. A numeric or alpha-numeric designation following the two letter code indicates the specific predefined package. For a customized service, the customer may select any parameters available with that category of service as long as the parameters are compatible. When appropriate, the Technical Reference which contains detailed specifications for the parameters is shown following the matrix.

Channel interfaces at each point of termination on a two-point service may be symmetrical or asymmetrical. On a multipoint service they may also be symmetrical or asymmetrical. However, communications can only be provided between points of termination with compatible channel interfaces. Only certain channel interfaces are compatible. These are set forth in 7.3.5 following in a combination format.

Only certain channel interface combinations are available with the predefined technical specifications packages. These are delineated in the Technical References set forth at the end of this 7.2. When a customized channel is requested, all channel interface combinations available with the specified type of service are available with the customized channel.

The optional features and functions available with each type of Special Access Service are described in this section. The optional features and functions information also indicates with which technical specifications packages they are available. Such information is displayed in a matrix with the optional feature or function listed down the left side and the technical specifications package listed across the top.

## ACCESS SERVICE

7. Special Access Service (Cont'd)7.2 Service Descriptions (Cont'd)

The Telephone Company will maintain existing transmission specifications on services installed prior to the effective date of this tariff except that the existing services with performance specifications exceeding the standard listed in this provision will be maintained at the performance levels specified in this tariff. All services installed after the effective date of this tariff will conform to the transmission specifications standards contained in this tariff or in the following Technical References for each category of service:

Metallic	TR-NPL-000336, Issue 1
Telegraph Grade	TR-NPL-000336, Issue 1
Voice Grade	TR-TSY-000335, Issue 3
	PUB41004, Table 4
WATS Access Line	GR-334-CORE, Issue 1
Program Audio	GR-337-CORE, Issue 1
Video	GR-338-CORE, Issue 1
Serial Component Video	SMPTE 0259M-2008
Digital Video Transport	SMPTE 0259M-2008
	ANSI T1.102-1993 (R2005)
	ANSI T1 102.01-1996 (R2001)
	ANSI T1 107-2002 (R2006)
	ATSC Standard A/53
	ATSC Standard A/54A
Wideband Analog	TR-NPL-000339
Wideband Data	TR-NPL-000340
Digital Data	TR-NWT-000341, Issue 2
Secondary Channel	TR-NPL-000157
	PUB62310
High Capacity	GR-54-CORE, Issue 1
	GR-342-CORE, Issue 1
	GR-499-CORE, Issue 3
Dedicated SONET	GR-253-CORE, Issue 4
	GR-1374-CORE, Issue 1
	ANSI T1.105.01-2000 (R2005)
	IEEE 802.3-2005/Cor2/D2.0-2007
	IEEE 802.3z-1998
	IEEE 802.3u-1995
Ethernet Private Line	GR-253-CORE, Issue 4
	IEEE 802.3-2005/Cor2/D2.0-2007
	IEEE 802.3z-1998
	IEEE 802.3u-1995
	ANSI INCITS 296-1997 (R2007)
	ANSI INCITS 303-1998 (R2003)

ACCESS SERVICE

7. Special Access Service (Cont'd)

7.2 Service Descriptions (Cont'd)

7.2.1 Metallic Service

(A) Basic Channel Description

A Metallic channel is an unconditioned two-wire channel capable of transmitting low speed varying signals at rates up to 30 baud. This channel is provided by metallic or equivalent facilities. Metallic channels are provided between customer designated premises or between a customer designated premises and a Telephone Company Hub where bridging functions are performed. Interoffice metallic facilities will be limited in length to a total of five miles per channel.

(B) Technical Specifications Packages

<u>Parameter</u>	<u>Package MT-</u>			
	<u>C</u>	<u>1</u>	<u>2</u>	<u>3</u>
DC Resistance				
Between Conductors	X	X	X	
Loop Resistance X			X	
Shunt Capacitance X			X	

The technical specifications are delineated in Technical Reference TR-NPL-000336.

(C) Channel Interfaces

Compatible channel interfaces are set forth in 7.3.5(A) following.

(D) Optional Features and Functions

(1) Central Office Bridging Capability

- (a) Three Premises Bridging - Provision of tip-to-tip and ring-to-ring connection in a central office of a metallic pair to a third customer designated premises.
- (b) Series Bridging of up to 26 customer designated premises.

The following table shows the technical specifications packages with which the optional features and functions are available.

	<u>Available with Technical Specifications Package-MT-</u>			
	<u>C</u>	<u>1</u>	<u>2</u>	<u>3</u>
Three Premises Bridging	X	X		X
Series Bridging	X		X	

ACCESS SERVICE

7. Special Access Service (Cont'd)

7.2 Service Descriptions (Cont'd)

7.2.2 Telegraph Grade Service

(A) Basic Channel Description

A Telegraph Grade channel is an unconditioned channel capable of transmitting binary signals at rates of 0-75 baud or 0-150 baud. This channel is furnished for half-duplex or duplex operation and may be terminated as telegraph two-wire or four-wire, or, where facilities permit, as a four-wire in a digital format when used in conjunction with another Telegraph Channel Termination at the other end. Telegraph Grade channels are provided between customer designated premises or between a customer designated premises and a Telephone Company Hub.

(B) Technical Specifications Packages

	<u>Package TG-</u>		
<u>Parameter</u>	<u>C</u>	<u>1</u>	<u>2</u>
Telegraph Distortion	X	X	X

The technical specifications are delineated in Technical Reference TR-NPL-000336, Issue 1.

(C) Channel Interfaces

Compatible channel interfaces are set forth in 7.3.5(B) following.

(D) Optional Features and Functions

(1) Telegraph Bridging (two-wire and four-wire)

The following table shows the technical specifications packages with which the optional features and functions are available.

	<u>Available with Technical Specifications Package TG-</u>		
	<u>C</u>	<u>1</u>	<u>2</u>
Telegraph Bridging	X	X	X

ACCESS SERVICE

7. Special Access Service (Cont'd)

7.2 Service Descriptions (Cont'd)

7.2.3 Voice Grade Service

(A) Basic Channel Description

A Voice Grade channel is a channel which provides voice frequency transmission capability in the nominal frequency range of 300 to 3000 Hz and may be terminated as analog two-wire or four-wire, or, where facilities permit, as a four-wire in a digital format when used in conjunction with another Voice Grade Channel Termination at the other end. Voice Grade channels are provided between customer designated premises or between a customer designated premises and a Telephone Company Hub.

(B) Technical Specifications Packages

Parameter	C*	Package VG-											
		1	2	3	4	5	6	7	8	9	10	11	12
Attenuation		X	X	X	X	X	X	X	X	X	X	X	X
Distortion		X	X	X	X	X	X	X	X	X	X	X	X
C-Message Noise		X	X	X	X	X	X	X	X	X	X	X	X
Echo Control		X	X	X	X	X	X	X	X	X	X	X	X
Envelope Delay													
Distortion		X					X	X	X	X	X	X	X
Frequency Shift		X					X	X	X	X	X	X	X
Impulse Noise		X				X	X	X	X	X	X	X	X
Intermodulation													
Distortion			X				X	X	X	X	X	X	X
Loss Deviation		X	X	X	X	X	X	X	X	X	X	X	X
Phase Hits, Gain													
Hits, and													
Dropouts													X
Phase Jitter			X				X	X	X	X	X	X	X
Signal-to-C													
Message Noise													X
Signal-to-C													
Notch Noise		X				X	X	X	X	X	X	X	X

\* The desired parameters are selected by the customer from the list of available parameters.

The technical specifications for these parameters (except for dropouts, gain hits, and phase hits) are delineated in TR-NWT-000335, Issue 3. The technical specifications for dropouts, phase hits, and gain hits are delineated in Technical Reference PUB 41004, Table 4.



---

ACCESS SERVICE

---

7. Special Access Service (Cont'd)

7.2 Service Descriptions (Cont'd)

7.2.3 Voice Grade Service (Cont'd)

(C) Channel Interfaces

The following channel interfaces for Voice Grade service do not require signaling capability: AH, DA, DB, DD, DE, DS, NO, PR and TF.

The following channel interfaces for Voice Grade service require signaling capability: AB, AC, CT, DX, DY, EA, EB, EC, EX, GO, GS, LA, LB, LC, LO, LR, LS, RV and SF.

Compatible channel interfaces are set forth in 7.3.5(C) following.

(D) Optional Features and Functions

(D)

(D)

---

ACCESS SERVICE

---

7. Special Access Service (Cont'd)

7.2 Service Descriptions (Cont'd)

7.2.3 Voice Grade Service (Cont'd)

(D) Optional Features and Functions (Cont'd)

(D)

(D)

---

ACCESS SERVICE

---

7. Special Access Service (Cont'd)

7.2 Service Descriptions (Cont'd)

7.2.3 Voice Grade Service (Cont'd)

(D) Optional Features and Functions (Cont'd)

(D)

(D)

---

ACCESS SERVICE

---

7. Special Access Service (Cont'd)

7.2 Service Descriptions (Cont'd)

7.2.3 Voice Grade Service (Cont'd)

(D) Optional Features and Functions (Cont'd)

(D)

(D)

---

ACCESS SERVICE

---

7. Special Access Service (Cont'd)

7.2 Service Descriptions (Cont'd)

7.2.3 Voice Grade Service (Cont'd)

(D) Optional Features and Functions (Cont'd)

(D)

(D)

---

ACCESS SERVICE

---

7. Special Access Service (Cont'd)

7.2 Service Descriptions (Cont'd)

7.2.3 Voice Grade Service (Cont'd)

(D) Optional Features and Functions (Cont'd)

(D)

(D)

ACCESS SERVICE

7. Special Access Service (Cont'd)

7.2 Service Descriptions (Cont'd)

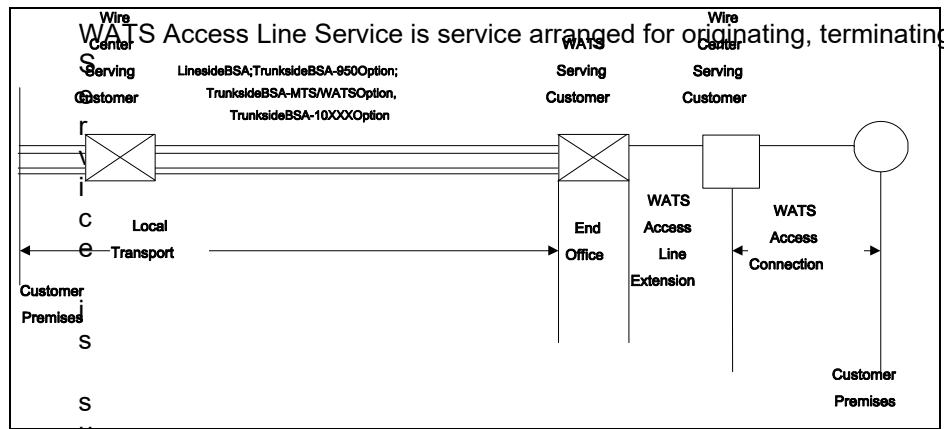
7.2.3 Voice Grade Service (Cont'd)

(E) WATS Access Line Service

(1) Basic Channel Description

A WATS Access Line Service is a channel which provides voice frequency transmission capability. The service provides customer premise to customer premise connection through the combination of a WATS Access Connection (WAC), a dedicated channel between the customer's end user's premises and a WATS Serving Office (WSO) equipped with Lineside BSA or Trunkside BSAs service as set forth in Section 6 preceding. The WAC is dedicated to one customer who has the ability to transport traffic interstate.

The WAC is comprised of a Channel Termination from the customer's end user serving wire center to the customer's end user premises.



subject to recording capability and central office capacity.

Originating only and Two Way (originating only) WATS Access Line Service customers, at their option and at no charge, may be provided access to test lines in their local central office to test the WATS Access Connection. Access to two types of lines is available, balance (Type 100) and milliwatt (Type 102). Where available, this feature is only provided in Telephone Company electronic end offices in which WATS Access Connections are provided.

ACCESS SERVICE

7. Special Access Service (Cont'd)

7.2 Service Descriptions (Cont'd)

7.2.3 Voice Grade Service (Cont'd)

(E) WATS Access Line Service (Cont'd)

(2) Technical Specifications Packages

<u>Parameters</u>	<u>Packages WAL -</u>		
	<u>1</u>	<u>2</u>	<u>3</u>
Attenuation Distortion	X	X	
Bit Error Rate			X
C-Message Noise	X	X	
Echo Control	X	X	
Envelop Delay Distortion	X	X	
Frequency Shift	X	X	
Impulse Noise	X	X	
Intermodulation Distortion	X	X	
Loss Deviation	X	X	
Phase Jitter	X	X	
Signal-to-C Notch Noise	X	X	

WACs are offered as either effective two-wire, effective four-wire, high capacity or improved two-wire access connections. The technical limitations are delineated in Technical Reference GR-334-CORE, Issue 1.

(3) Channel Interfaces

Compatible channel interfaces are set forth in 7.3.5(D) following.

(4) Optional Features and Functions

(D)

(D)



---

ACCESS SERVICE

---

7. Special Access Service (Cont'd)7.2 Service Descriptions (Cont'd)7.2.3 Voice Grade Service (Cont'd)(E) WATS Access Line Service (Cont'd)(5) WATS Access Line Extensions (WALE)

- (1) When WATS Access Line Service is ordered to the end office that normally serves the customer and that office is a non-equal access end office without WATS screening capability, WATS screening is provided from the nearest equal access or non-equal access WATS screening office (WSO).
- (2) For non-Trunkside BSA - MTS/WATS Option customers, when service is ordered to the end office that normally serves the customer and that office is a non-equal access end office with WATS screening capability, service is provided from the nearest equal access end office with WATS screening capability (WSO).
- (3) When WATS Access Line Service is ordered to the end office that normally serves the customer and that office is an equal access end office without WATS screening capability, service is provided from the nearest equal access end office with WATS screening capability (WSO).

In all cases, there is no channel mileage applicable to the distance between the end office that normally serves the customer and the office that provides the WATS screening capability (WSO).

## ACCESS SERVICE

7. Special Access Service (Cont'd)7.2 Service Descriptions (Cont'd)7.2.4 Program Audio Service(A) Basic Channel Description

A Program Audio channel is a channel measured in Hz for the transmission of a complex signal voltage. The actual bandwidth is a function of the channel interface selected by the customer. Only one-way transmission is provided. Program Audio channels are provided between customer designated premises or between a customer designated premises and a Telephone Company Hub.

(B) Technical Specifications Packages

<u>Parameter</u>	<u>C*</u>	<u>Package AP-</u>			
		<u>1</u>	<u>2</u>	<u>3</u>	<u>4</u>
Actual Measured Loss	X	X	X	X	X
Amplitude Tracking					X
Crosstalk	X	X	X	X	X
Distortion Tracking					X
Gain/Frequency					
Distortion	X	X	X	X	X
Group Delay					X
Noise	X	X	X	X	X
Phase Tracking					X
Short-Term Gain					
Stability					X
Short-Term Loss					X
Total Distortion	X	X	X	X	X

The technical specifications are delineated in Technical Reference PUB 62503 and associated Addendums.

\* The desired parameters are selected by the customer from the list of available parameters.

ACCESS SERVICE

---

7. Special Access Service (Cont'd)

7.2 Service Descriptions (Cont'd)

7.2.4 Program Audio Service (Cont'd)

(C) Channel Interfaces

The following channel interfaces (CIs) define the bandwidths that are available for a Program Audio channel:

<u>CI</u>	<u>Bandwidth</u>
PG-1	Nominal frequency from 50 to 15000 Hz
PG-3	Nominal frequency from 200 to 3500 Hz
PG-5	Nominal frequency from 100 to 5000 Hz
PG-8	Nominal frequency from 50 to 8000 Hz

Compatible channel interfaces are set forth in 7.3.5(E) following.

(D) Optional Features and Functions

(D)

(D)

---

ACCESS SERVICE

---

7. Special Access Service (Cont'd)7.2 Service Descriptions (Cont'd)7.2.5 Video Service(A) Service Description

A basic Video channel is a channel with one-way transmission capability for a standard 525 line/60 field monochrome, or National Television Systems Committee color, video signal and one or two associated 5 or 15 kHz audio signal(s). Video channels are provided between customer designated premises or between a customer designated premises and a Telephone Company Hub.

Video Service is provisioned as either Basic Service or as Multichannel Service.

## 1. Basic Video Service

Basic Video Service is a single video channel with one or two associated 5 or 15 kHz audio signals. The audio signal may be either diplexed or provided as separate channels. The provision and the bandwidth of the associated audio signal(s) is a function of the channel interface selected by the customer.

Basic Video Service is provided on a full-time or part-time (i.e., daily) basis. At the option of the customer, Basic Video Service channels may be provided under a Service Discount Plan as specified in Section 25.2 following.

## 2. Multichannel Video Service

Multichannel Video Service is a service arrangement of three to eight video channels provisioned over a single fiber. One or two separate 15 kHz audio signal(s) is associated with each video channel.

Multichannel Video Service may be provisioned with two types of channel terminations: one in which all electronics are owned and provided by the Telephone Company, and one in which a receiver or transmitter is provided by the Telephone Company and the customer provides the remaining electronic equipment. Every Multichannel Service requires at least one end location where all electronics are provided by the Telephone Company. In the premises to Hub configuration, all equipment at the Hub will be owned by the Telephone Company.

## ACCESS SERVICE

7. Special Access Service (Cont'd)7.2 Service Descriptions (Cont'd)7.2.5 Video Service(A) Service Description (Cont'd)

For both services, Basic and Multichannel Video, the use of up to twenty-five (25) feet of coaxial cable from the point of entry into the customer's building to the channel interface is included in the Channel Termination rate element. In the event the customer requests that the Company extend the location of the channel interface beyond 25 feet, and the Company agrees to extend the communications path, the charges set forth for Other Labor as specified in Section 13.2.5 following will apply for the extended portion of the communications path. The extended communications path is subject to distance limitations, which are specific to the communications path being extended.

(B) Technical Specifications Packages

<u>VIDEO PARAMETER</u>	<u>C</u>	<u>Package TV-</u>	
		<u>1</u>	<u>2</u>
Insertion Gain	X	X	X
Field-Time Distortion	X	X	X
Line-Time Distortion	X	X	X
Short-Time Distortion	X	X	X
Chrominance-Luminance Gain Inequality	X	X	X
Chrominance-Luminance Delay Inequality	X	X	X
Amplitude/Freq. Characteristic	X	X	X
Luminance Non-Linear Distortion	X	X	X
Chrominance Non-Linear Gain Distortion	X	X	X
Chrominance Non-Linear Phase Distortion	X	X	X
Transient Sync. Signal Non-Linearity	X	X	X
Dynamic Gain Distortion			
-Picture Signal	X	X	X
-Sync Signal	X	X	X
Differential Gain	X	X	X
Differential Phase	X	X	X
Chrominance-Luminance Intermod.	X	X	X

## ACCESS SERVICE

7. Special Access Service (Cont'd)7.2 Service Descriptions (Cont'd)7.2.5 Video Service(B) Technical Specifications Packages (Cont'd)

<u>ASSOCIATED AUDIO PARAMETER</u>	<u>C</u>	<u>Package TV-</u>	
		<u>1</u>	<u>2</u>
Insertion Gain	X	X	X
Amplitude/Freq. Characteristic	X	X	X
Total Harmonic Distortion + Noise	X	X	X
Maximum Steady-State Test Levels	X	X	X
Gain Diff. Between Channels		X	X
Phase Diff. Between Channels	X	X	X
Crosstalk	X	X	X
Audio-To-Video Time Differential	X	X	X

The desired parameters are selected by the customer from the list of available parameters. TV1 provides for 1 Video signal and 1 or 2 15KHz Audio signals. TV2 provides for 1 Video signal and 1 or 2 5KHz Audio signals.

The technical specifications are delineated in Technical Reference GR-338-CORE, Issue 1.

(C) Channel Interfaces

The following channel interfaces (CIs) define the bandwidth and the provision of the audio signal(s) associated with a Video channel:

<u>CI</u>	<u>Bandwidth</u>	<u>Audio Provision</u>
2TV6-1	15kHz	1 Channel, diplexed
2TV6-2	15kHz	2 Channels, diplexed
2TV7-1	15kHz	1 Channel, diplexed

ACCESS SERVICE

7. Special Access Service (Cont'd)

7.2 Service Descriptions (Cont'd)

7.2.5 Video Service (Cont'd)

(C) Channel Interfaces (Cont'd)

<u>CI</u>	<u>Audio Bandwidth</u>	<u>Provision</u>
2TV7-2	15kHz	2 Channels, diplexed
4TV6-5	5kHz	1 Channel, separate
4TV6-15	15kHz	1 Channel, separate
4TV7-5	5kHz	1 Channel, separate
4TV7-15	15kHz	1 Channel, separate
6TV6-5	5kHz	2 Channels, separate
6TV6-15	15kHz	2 Channels, separate
6TV7-5	5kHz	2 Channels, separate
6TV7-15	15kHz	2 Channels, separate

Compatible channel interfaces are set forth in 7.3.5(f) following.

(D) Optional Features and Functions

(D)

(D)

---

ACCESS SERVICE

---

7. Special Access Service (Cont'd)

7.2 Service Descriptions (Cont'd)

7.2.5 Video Service (Cont'd)

(D) Optional Features and Functions (Cont'd)

(D)

(D)



---

ACCESS SERVICE

---

7. Special Access Service (Cont'd)

7.2 Service Descriptions (Cont'd)

7.2.5 Video Service (Cont'd)

(D) Optional Features and Functions (Cont'd)

(D)

(D)

---

ACCESS SERVICE

---

7. Special Access Service (Cont'd)

7.2 Service Descriptions (Cont'd)

7.2.5 Video Service (Cont'd)

(D) Optional Features and Functions (Cont'd)

(D) Optional Features and Functions (Cont'd)

(D)

(D)

ACCESS SERVICE

---

7. Special Access Service (Cont'd)

7.2 Service Descriptions (Cont'd)

7.2.5 Video Service (Cont'd)

(D) Optional Features and Functions (Cont'd)

(D)

(D)

---

ACCESS SERVICE

---

7. Special Access Service (Cont'd)

7.2 Service Descriptions (Cont'd)

7.2.5 Video Service (Cont'd)

(D) Optional Features and Functions (Cont'd)

(D)

(D)

---

ACCESS SERVICE

---

7. Special Access Service (Cont'd)7.2 Service Descriptions (Cont'd)7.2.5 Video Service (Cont'd)(E) Serial Component Video Service(1) Service Description

Serial Component Video Service (SCVS) is a broadband digital video transport channel with one-way transmission capability. SCVS provides 270 Mbps high quality video as defined by the Society of Motion Picture and Television Engineers (SMPTE) Standard 259M. This standard describes a serial digital interface, 525 line/60 field National Television Systems Committee (NTSC) digital television equipment operating with 4:2:2 serial component signals that conform to American National Standards Institute (ANSI) digital format. The service may include up to four (4) 20 kHz Audio Engineering Society (AES)/European Broadcasting Union (EBU) digital audio signals.

SCVS is provided on a full-time or part-time (i.e., daily) basis over digital network facilities between customer designated premises or between a customer designated premises and a video hub where compatible channels may be switched. At the customer's premises, the Company will install coaxial cable for the transmission facilities within the building up to the channel interface. The channel interface enables delivery of digital audio signals, which are embedded in the digital transmission. It is the responsibility of the customer to embed the audio and ancillary data in the digital transmission. The quality of the video signal may be impaired if the distance of the coaxial cable results in transmission parameters which are not within the limits specified in the technical publication set forth in (2) following.

Where suitable facilities are not available to provide SCVS, Special Construction charges as set forth in Section 5.1.3 preceding may apply.

SCVS is compatible with the optional Advanced Video Switching feature described in 7.2.5(D)(5) preceding.

(2) Technical Specifications

The technical specification for SCVS are delineated in Technical Reference SMPTE 0259M-2008, Revised 1997 with one exception. The Company will only accept a 75 ohm impedance interface to or from a customer provided high- quality coaxial cable.

## ACCESS SERVICE

7. Special Access Service (Cont'd)7.2 Service Descriptions (Cont'd)7.2.5 Video Service (Cont'd)(E) Serial Component Video Service (Cont'd)(3) Channel Interfaces

The following channel interface (CI) defines the provision of audio signals associated with SCVS.

<u>CI</u>	<u>Description</u>
02TD6.E	Uncompressed serial component digital video transport with ancillary channels through the serial digital interface.

(4) Terms and Conditions

- (a) SCVS is available on a part-time basis with daily rates or on a full-time basis as a month-to month, 3-year or 5-year term plan.
- (b) The minimum service period for full-time SCVS is one year. A minimum service period charge applies if SCVS is disconnected in less than one year except when the requirements for portability are met as set forth in (f) following.
- (c) SCVS is available based on negotiated intervals as described in 5.2.1(B) preceding.
- (d) At the expiration of a 3 or 5-year term plan, the service will be converted to the Month-to-Month term plan and rated at the then prevailing rate for Month-to-Month service unless the customer subscribes to a new term plan.
- (e) Early termination of the 3 or 5-year term plan is subject to termination liability, except when the customer subscribes to any new video term plan of equal or greater value in revenue than the remainder of the present plan, or meets replacement requirements for portability as described in f) following.

---

ACCESS SERVICE

---

7. Special Access Service (Cont'd)7.2 Service Descriptions (Cont'd)7.2.5 Video Service (Cont'd)(E) Serial Component Video Service (Cont'd)(4) Terms and Conditions (Cont'd)

(f) Portability is the replacement of a service under a term plan with another service for the balance of the term. Portability requirements are:

- The replacement service must be of the same speed or type, and must not already be in a term plan.
- The replacement service must be ordered within 30 days of disconnection of the original service.
- The number of replacement services is equal or greater than the number of services being disconnected.
- When a SCVS is moved to a new location, portability will apply provided that the same customer of record is retained at each of the points of termination involved. Only one move is permitted within a calendar year.

When the terms and conditions for portability are met, the new/replacement service is subject to all of the same terms and conditions that applied to the service being replaced. That is, the new/replacement service must satisfy the balance of the minimum service period requirement if not already met, and the balance of the commitment period remaining in the term plan.

---

ACCESS SERVICE

---

7. Special Access Service (Cont'd)7.2 Service Descriptions (Cont'd)7.2.5 Video Service (Cont'd)(E) Serial Component Video Service (Cont'd)(4) Terms and Conditions (Cont'd)g) Termination Liability

Termination liability is in addition to the minimum period charge and is calculated as shown in i) or ii) following. When calculating termination liability charges, the Company will apply the option that provides the customer with the lowest termination liability

i) Option 1

Termination liability is 50% of the monthly rates for each month and fraction thereof remaining between the minimum period and the end of the selected term plan/commitment period.

ii) Option 2

For services discontinued within the first year and prior to the end of the selected commitment period, the termination liability charge will be the difference between the full basic Month-to-Month rates and the term plan rates for the period the service has been in effect.

For services discontinued after the first 12 months of a term plan but prior to the end of the selected plan period, the following applies:

- Where there is no commitment period less than the actual time the service has been in effect the termination liability charge will be the difference between the full basic Month-to-Month rate and the selected term plan rate for the period the plan has been in effect.
- Where there is a commitment period less than the actual time the service has been in effect, the termination liability charge will be the difference between the monthly rate for the longest term plan that could have been satisfied prior to termination of the service and the monthly rate for the selected term plan multiplied by the actual number of months the plan has been in effect.



---

ACCESS SERVICE

---

7. Special Access Service (Cont'd)7.2 Service Descriptions (Cont'd)7.2.5 Video Service (Cont'd)(E) Serial Component Video Service (Cont'd)(5) Rate Regulations

- a) A Channel Termination charge applies for each termination of SCVS. Included in the Channel Termination rate element is the use of up to twenty-five (25) feet of coaxial cable from the point at which the video service enters the customer's building to the channel interface. In the event that the customer requests that the Company extend the location of the channel interface beyond 25 feet, and the Company agrees to extend the communications path, the charges set forth for Other Labor as specified in Section 13.2.5 following will apply for the extended portion of the communications path. The extended communications path is subject to distance limitations, which are specific to the communications path being extended.

Serial Component Video Service may be connected to a Telephone Company provided integrated optical service, where such connections are technically and operationally feasible, as determined by the Telephone Company. A Serial Component Video Service Channel Termination charge will not apply at the integrated optical service end of the circuit.

- b) A fixed and per mile Channel Mileage rate element applies for the transmission facility between the serving wire centers of the customer's designated premises.

---

ACCESS SERVICE

---

7. Special Access Service (Cont'd)7.2 Service Descriptions (Cont'd)7.2.5 Video Service (Cont'd)(F) High-Definition (Hi-Def) Digital Video Transport Service(1) Service Description

High-Definition (Hi-Def) Digital Video Transport Service (Hi-Def DVTS) is a broadband digital video transport channel with one-way transmission capability of 19.39 Mbps high quality video as defined in American National Standard Institute/The Society of Motion Picture and Television Engineers (ANSI/SMPTE) Standard 310M or with one-way transmission capability of 1.485 Gbps as defined in Technical Reference SMPTE Standard 0292M-2001. These standards describe a serial digital interface for equipment conforming to the SMPTE and Advanced Television Systems Committee (ATSC) digital television standards. Hi-Def DVTS automatically detects the customer input as 19.39 Mbps or 1.485 Gbps and provides the compatible transport of the signal to the corresponding receive channel termination in accordance with SMPTE standards. Hi-Def DVTS is provided with an electrical interface and operates with a standard broadcast data stream as specified in the appropriate standards; see (2), Technical Specifications below.

Hi-Def DVTS is provided over digital network facilities in a premises-to-premises configuration (between customer designated premises) or in a premises-to-hub configuration (between a customer designated premises and a video hub where channels may be switched). At the customer's premises, the Company will install fiber optic and/or coaxial cable for the transmission facilities within the building up to the channel interface. The channel interface enables delivery of multiple video channels and/or digital audio signals, which are embedded in the digital transmission. It is the responsibility of the customer to embed or de-embed the audio and ancillary data in the digital transmission. The quality of the video signal may be impaired if the distance of the coaxial cable results in transmission parameters which are not within the limits specified in the technical publication set forth in (2) following.

Hi-Def DVTS is compatible with the optional Advanced Video Switching feature described in 7.2.5(D)(5) preceding.

Where suitable facilities are not available to provide Hi-Def DVTS, Special Construction charges as set forth in Section 5.1.3 preceding may apply.

---

ACCESS SERVICE

---

7. Special Access Service (Cont'd)7.2 Service Descriptions (Cont'd)7.2.5 Video Service (Cont'd)(F) High-Definition (Hi-Def) Digital Video Transport Service (Cont'd)(2) Technical Specifications

The technical specification for Hi-Def DVTS are delineated in Technical Reference ATSC Standard A/53 Digital Television Standard, ATSC Document A/54A Guide to the Use of ATSC Television Standard, SMPTE 0310M-2004, Television Synchronous Serial Interface for MPEG-2 Digital Transport Streams (19.39 Mbps), and SMPTE 292M-1998 (1.485 Gbps).

The Company will only accept a 75-ohm impedance interface to/from customer provided high quality coaxial cable that meets Company transmission requirements.

(3) Channel Interfaces

The following channel interface (CI) is available with Hi-Def DVTS.

O2TB6

(4) Terms and Conditions

- a) Hi-Def DVTS is available on a month-to-month basis or as a 1, 3 or 5-year term plan.
- b) The minimum service period for Hi-Def DVTS provided on a month-to-month basis is one (1) month. The minimum service period for Hi-Def DVTS provided under a term plan is three (3) months. The minimum period liability is forgiven when a term plan customer elects to switch to another video service with a minimum period of the same or longer duration.
- c) Hi-Def DVTS is available based on negotiated intervals as described in 5.2.1(B) preceding.
- d) At the expiration of a term plan, the customer's Hi-Def DVTS will automatically be renewed for the same term at the current prevailing rate or the customer may subscribe to a new plan. To terminate service without incurring new termination liabilities, the customer must disconnect service within 90 days of the expiration date.

---

ACCESS SERVICE

---

7.2 Service Descriptions (Cont'd)7.2.5 Video Service (Cont'd)(F) High-Definition (Hi-Def) Digital Video Transport Service (Cont'd)(4) Terms and Conditions (Cont'd)

- e) Early termination of the term plan is subject to termination liability, except when the customer subscribes to any new video term plan of equal or greater value in revenue than the remainder of the present plan.

Termination liability is in addition to the minimum period charge and is calculated as shown in i) or ii) following. When calculating termination liability charges, the Company will apply the option that provides the customer with the lowest termination liability.

i) Option 1

Termination liability is 100% of the monthly rates for each month and fraction thereof remaining in the balance of the selected term plan/commitment period.

ii) Option 2

The termination liability charge is the difference between the monthly rate for the longest term plan that could have been satisfied prior to termination of the service and the monthly rate for the selected term plan multiplied by the actual number of months the plan has been in effect.

(5) Rate Regulations

The rates and charges for Hi-Def DVTS include channel terminations and channel mileage:

- a) A Channel Termination charge applies for each termination of Hi-Def DVTS. Included in the Channel Termination rate element is the use of up to twenty-five (25) feet of coaxial cable from the point at which the video service enters the customer's building to the channel interface. In the event that the customer requests that the Telephone Company extend the location of the channel interface beyond 25 feet, and the Telephone Company agrees to extend the communications path, the charges set forth for Other Labor as specified in Section 13.2.5 following will apply for the extended portion of the communications path. The extended communications path is subject to distance limitations, which are specific to the communications path being extended.
- b) The Channel Mileage rate element applies on a fixed and per mile basis for the transmission facilities between the serving wire centers of the customer's designated premises when mileage is over zero.

The rates are listed in 7.5.5(E) following.

ACCESS SERVICE

---

7. Special Access Service (Cont'd)

7.2 Service Descriptions (Cont'd)

7.2.5 Video Service (Cont'd)

(G) 45 Mbps Digital Video Transport Service

(1) Service Description

45 Mbps Digital Video Transport Service (45 Mbps DVTS) is a broadband digital video transport channel with one-way transmission capability of 45 Mbps high quality video as defined by American National Standard Institute and Telcordia Technologies. 45 Mbps DVTS is provided with an electrical interface with an optional encoder/decoder (CODEC) at either or both ends of the circuit for full time service. The service may include up to six (6) 5Hz - 22kHz Audio Engineering Society (AES)/European Broadcasting Union (EBU) digital audio signals.

45 Mbps DVTS is provided on a full-time or part-time basis over digital network facilities between customer designated premises, or between a customer's designated premises and a video hub where compatible channels may be switched. At the customer's premises, the Company will install fiber optic and/or coaxial cable for the transmission facilities within the building up to the channel interface. The channel interface enables delivery of digital audio signals, which are embedded in the digital transmission. It is the responsibility of the customer to embed the audio and ancillary data in the digital transmission. The quality of the video signal may be impaired if the distance of the coaxial cable results in transmission parameters which are not within the limits specified in the technical publication set forth in (3) following.

Where suitable facilities are not available to provide 45 Mbps DVTS, Special Construction charges as set forth in Section 5.1.3 preceding may apply.

(2) Optional Features and Functions

(D)



(D)

---

ACCESS SERVICE

---

7. Special Access Service (Cont'd)7.2 Service Descriptions (Cont'd)7.2.5 Video Service (Cont'd)(G) 45 Mbps Digital Video Transport Service (Cont'd)(3) Technical Specifications

The technical specifications for 45 Mbps DVTS are delineated in Technical Publications:

- ANSI T1.102-1993 (R2005), Digital Hierarchy
- ANSI T1 102.01-1996 (R2001), Digital Hierarchy – VT1.5 Electrical Interface
- ANSI T1.107-2002 (R2006), Digital Hierarchy – Format Specifications
- SR4274, Issue 1, A View of Systems M-NSTC Video Jitter and Wander Specifications on Compressed Systems at 45 MBS
- GR338-CORE, Issue 1, Television Special Access and Local Channel Services – Transmission Parameter Limits and Interface Combinations

The Company will only accept a 75-ohm impedance interface to/from customer provided, high quality coaxial cable that meets Company transmission requirements.

(4) Channel Interfaces

The following channel interfaces (CI) are available with 45 Mbps DVTS.

O4TE6.20D  
10TE6.20D  
10TV6.20D

---

ACCESS SERVICE

---

7. Special Access Service (Cont'd)7.2 Service Descriptions (Cont'd)7.2.5 Video Service (Cont'd)(G) 45 Mbps Digital Video Transport Service (Cont'd)(5) Terms and Conditions

- a) 45 Mbps DVTS is available on a month-to-month basis or as a 1, 3 or 5-year term plan. 45 Mbps is also available as a part time service on a daily basis.
- b) The minimum service period for 45 Mbps DVTS is 3 months unless the optional CODEC service is purchased. When 45 Mbps DVTS includes the optional CODEC, the minimum service period is one (1) year.

The minimum service period liability is forgiven when a customer elects to switch to another video service with a minimum service period of the same or longer duration.

- c) DVTS is available based on negotiated intervals as described in 5.2.1(B) preceding.
- d) At the expiration of a term plan, the customer's 45 Mbps DVTS will automatically be renewed for the same term at the current prevailing rate or the customer may subscribe to a new plan. To terminate service without incurring new termination liabilities, the customer must disconnect service within 90 days of the expiration date.
- e) Early termination of the term plan is subject to termination liability, except when the customer subscribes to any new video term plan of equal or greater value in revenue than the remainder of the present plan.

Termination liability is in addition to the minimum period charge and is calculated as shown in i) or ii) following. When calculating termination liability charges, the Company will apply the option that provides the customer with the lowest termination liability

i) Option 1

Termination liability is 100% of the monthly rates for each month and fraction thereof remaining in the balance of the selected term plan/commitment period.

ii) Option 2

The termination liability charge is the difference between the monthly rate for the longest term plan that could have been satisfied prior to termination of the service and the monthly rate for the selected term plan multiplied by the actual number of months the plan has been in effect.

---

ACCESS SERVICE

---

7. Special Access Service (Cont'd)7.2 Service Descriptions (Cont'd)7.2.5 Video Service (Cont'd)(G) 45 Mbps Digital Video Transport Service (Cont'd)(6) Rate Regulations

The rates and charges for 45 Mbps DVTS include channel terminations, channel mileage and a CODEC charge when the customer chooses that option.

- a) A Channel Termination charge applies for each termination of DVTS. Included in the Channel Termination rate element is the use of up to twenty-five (25) feet of coaxial cable from the point at which the video service enters the customer's building to the channel interface. In the event the customer requests that the Company extend the location of the channel interface beyond 25 feet, and the Company agrees to extend the communications path, the charges set forth for Other Labor as specified in Section 13.2.5 following will apply for the extended portion of the communications path. The extended communications path is subject to distance limitations, which are specific to the communications path being extended.
- b) A Channel Mileage rate element applies on a fixed and per mile basis for the transmission facilities between the serving wire centers of the customer's designated premises when mileage is over zero.
- c) A CODEC rate element applies monthly for each optional CODEC provided on a 45 Mbps DVTS circuit.

The rates for 45 Mbps DVTS are listed in 7.5.5(F) following.



---

ACCESS SERVICE

---

7. Special Access Service (Cont'd)7.2 Service Descriptions (Cont'd)7.2.5 Video Service (Cont'd)(H) Supertrunking Transport Video Service(1) Service Description

Supertrunking Transport Video Service (SVS) – a channel with a bandwidth of up to either 750 MHz or 870 MHz for the transmission of multiple Amplitude Modulation (AM) standard 525 line/60 field monochrome or National Television Systems Committee (NTSC) color video signals and monaural or Broadcast Television Systems Committee (BTSC) stereo audio signals over fiber optic facilities.

The signal performance and quality of the video channel may be degraded by the number of signals and the end to end distance of the channel. The Telephone Company will work cooperatively with the customer to determine the number of video signals which can be provided over a single SVS channel.

For two-point service configurations, a single channel termination at each customer designated premises transmits or receives all of the video signals transported over the SVS channel. For multipoint service configurations, each video signal is provided over a Transmit only channel termination at one of the designated premises involved and a Receive only channel termination at each of the other designated premises involved. A Transmit channel termination provides an electrical to optical conversion of the customer's video signals allowing the customer to transmit, or originate, AM signals for transport over the SVS channel to one or more Receive channel terminations. A Receive channel termination provides an optical to electrical conversion allowing the customer to receive the multiple amplitude modulation signals.

(2) Technical Specifications

The Technical specifications are delineated in Technical References SR-INS-001532, Issue 1; SR-NPL-001434, Issue 1; and SR-NWT-001851, Issue 1.

(3) Channel Interfaces

The following Channel Interface (CI) is available with the 750 Mhz or 870 MHz transport for point to point and point to multipoint configuration of SVS.

04WVF.L

---

ACCESS SERVICE

---

7. Special Access Service (Cont'd)7.2 Service Descriptions (Cont'd)7.2.5 Video Service (Cont'd)(H) Supertrunking Transport Video Service (Cont'd)(4) Rate Regulations

At the option of the customer, SVS channels may be provided under a Service Discount Plan (SDP) as specified in 25.2.1 following.

The minimum period for SVS is one year.

A channel termination rate applies for each termination of SVS on a Transmit only or Receive only basis. The Channel Mileage rate element applies on a fixed and per mile basis for the transmission of facilities between the serving wire center of the premises involved and is subject to the mileage bands specified in 7.5.5(G) following.

The customer may upgrade from 750 to 870Mhz without incurring termination liability on the 750Mhz term contract, provided the upgrade term is of equal or greater length than the remainder of the existing 750Mhz term contract. The customer will be required to pay the new rates associated with the 870Mhz service.

(5) Service Interruption Credit

Service Interruption Credit will apply as set forth in Section 2.7.1(A) preceding.

(6) Cancellation Charges

Cancellation charges apply as set forth in Section 5.2.3 preceding.

## ACCESS SERVICE

7. Special Access Service (Cont'd)7.2 Service Descriptions (Cont'd)7.2.6 Wideband Analog Service(A) Basic Channel Description

A Wideband Analog channel is a channel with a bandwidth measured in kHz for the transmission of a wideband signal. The actual bandwidth is a function of the channel interface selected by the customer. Wideband Analog channels are provided between customer designated premises or between a customer designated premises and a Telephone Company Hub.

(B) Technical Specifications Packages

Parameter	1	Package WA-			4
		2	2A	3	
Amplitude Stability				X	X
Background Noise	X	X	X	X	X
Frequency Shift			X	X	X
Gain/Frequency Characteristics of:					
- Group Connections	X			X	X
- Supergroup Connections					X
- Mastergroup Connections					X
Impulse Noise			X	X	X
Net Loss Variations	X	X	X	X	X
Pilot Slot			X	X	X
Spurious Single Frequency Tone			X	X	X

The technical specifications are delineated in Technical Reference TR-NPL-000339.

ACCESS SERVICE

---

7. Special Access Service (Cont'd)

7.2 Service Descriptions (Cont'd)

7.2.6 Wideband Analog Service (Cont'd)

(C) Channel Interfaces

The following channel interfaces (CIs) define the bandwidths that are available for a Wideband Analog channel:

<u>CI</u>	<u>Bandwidth</u>
AH-B	60 kHz to 108 kHz (Group)
AH-C	312 kHz to 552 kHz (Supergroup)
AH-D	564 kHz to 3084 kHz (Mastergroup)
WD-1	300 Hz to 18 kHz
WD-2	28 kHz to 44 kHz
WD-3	29 kHz to 44 kHz

Compatible channel interfaces are set forth in 7.3.5(G) following.

(D) Optional Features and Functions

(D)

(D)

---

ACCESS SERVICE

---

7. Special Access Service (Cont'd)

7.2 Service Descriptions (Cont'd)

7.2.6 Wideband Analog Service (Cont'd)

(D) Optional Features and Functions (Cont'd)

(D)

(D)

## ACCESS SERVICE

7. Special Access Service (Cont'd)7.2 Service Descriptions (Cont'd)7.2.7 Wideband Data Service(A) Basic Channel Description

A Wideband Data channel is an analog channel for the transmission of synchronous serial data at the rate of 19.2, 50.0, or 230.4 kbps or of asynchronous serial data at rates of up to 19.2, 50.0, or 230.4 kbps. Optional arrangements are available for transmission of synchronous serial data at 18.75 or 40.8 kbps. The actual bit rate is a function of the channel interface selected by the customer. This service requires a 303 Data Station(s). The 303 Data Station provides coupling between the customer's business machine and the wideband data transmission medium and is required only at the End User (non-carrier) premises. A definition of an End User is contained in 2.6 preceding. A voiceband coordinating channel is also provided. Wideband Data channels are provided between customer designated premises.

(B) Technical Specifications Packages

<u>Parameter</u>	<u>Package WD-</u>		
	<u>1</u>	<u>2</u>	<u>3</u>
Error-Free Seconds	X	X	X

While in service, the monthly average of error-free seconds will be equal to or greater than 98.75%. The technical specifications are delineated in Technical Reference TR-NPL-000340.

(C) Channel Interfaces

The following channel interfaces (CIs) define the bit rates that are available for a Wideband Data channel:

<u>CI</u>	<u>Bit Rate</u>
WB-18S	18.75 kbps, synchronous
WB-19A	up to 19.2 kbps, asynchronous
WB-19S	19.2 kbps, synchronous
WB-23A	up to 230.4 kbps, asynchronous
WB-23S	230.4 kbps, synchronous
WB-40S	40.8 kbps, synchronous
WB-50A	up to 50.0 kbps, asynchronous
WB-50S	50.0 kbps, synchronous

Compatible channel interfaces are set forth in 7.3.5(H) following.

---

ACCESS SERVICE

---

7. Special Access Service (Cont'd)

7.2 Service Descriptions (Cont'd)

7.2.7 Wideband Data Service (Cont'd)

(D) Optional Features and Functions (Cont'd)

(D)

(D)

ACCESS SERVICE

---

7. Special Access Service (Cont'd)

7.2 Service Descriptions (Cont'd)

7.2.8 Digital Data Service

(A) Basic Channel Description

A Digital Data channel is a channel for duplex transmission of synchronous serial data at the rate of 2.4, 4.8, 9.6, 19.2, 56 or 64 kbps. The actual bit rate is a function of the channel interface selected by the customer. The channel provides a synchronous service with timing provided by the Telephone Company through the Telephone Company's facilities to the customer in the received bit stream. Digital Data channels are only available via Telephone Company designated hubs and are provided between customer designated premises between a customer designated premises and a Telephone Company Hub, or between a customer designated premises and a wire center where connection to an advanced data service# occurs. Subrating is not available at the 19.2 kbps speed and the 64 kbps speed requires B8ZS Line Code Formatted Signal.

(B) Technical Specifications Packages

Parameter	Package DA-					
	1	2	3	4	5	6
Error-Free Seconds	X	X	X	X	X	X

The Telephone Company will provide a channel capable of meeting a monthly average performance equal to or greater than 99.875% error-free seconds while the channel is in service, if it is measured through a CSU equivalent which is designed, manufactured and maintained to conform with the specifications contained in Technical Reference PUB 62310.

Voltages which are compatible with Digital Data Service are delineated in Technical Reference TR-NWT-000341, Issue 2.

Channel Interface requirements necessary for Secondary Channel Capability are contained in Technical Reference TR-NPL-000157, Issue 1.

# Advanced data services include frame relay services, switched multi-megabit services, internet protocol services and ATM-cell relay services.



ACCESS SERVICE

---

7. Special Access Service (Cont'd)

7.2 Service Descriptions (Cont'd)

7.2.8 Digital Data Service (Cont'd)

(C) Channel Interfaces

The following channel interfaces (CIs) define the bit rates that are available for a Digital Data channel:

<u>CI</u>	<u>Bit Rate</u>
DU-24	2.4 kbps
DU-48	4.8 kbps
DU-96	9.6 kbps
DU-19	19.2 kbps
DU-56	56.0 kbps
DU-64	64.0 kbps

Compatible channel interfaces are set forth in 7.3.5(l) following.

(D) Optional Features and Functions

(D)

(D)

---

ACCESS SERVICE

---

7. Special Access Service (Cont'd)

7.2 Service Descriptions (Cont'd)

7.2.8 Digital Data Service (Cont'd)

(D) Optional Features and Functions (Cont'd)

(D)

(D)

---

ACCESS SERVICE

---

7. Special Access Service (Cont'd)7.2 Service Descriptions (Cont'd)7.2.8.1 Bonded Digital Link Service(A) Service Description

Bonded Digital Link Service provides connecting channels for the transmission of voice or data between an end user's local exchange service terminating at a digital cross connect facility and special access service provided by the Telephone Company within the same wire center or at another wire center within the same LATA.

Bonded Digital Link Service is comprised of Intra-office channels (channels within a single wire center) or Inter-office channels (channels between two wire centers) connecting the wire centers of the locations involved. The minimum transmission rate for the service is 64 kbps in a DS0 channel. The Telephone Company will provide for the transmission of DS0 channels within a DS1 signal of the customer's (the end user) associated local exchange service from the digital cross connect facility in the customer's serving wire center to a 64 kbps channel of a customer's DS1 to Digital central office multiplexing arrangement within the same wire center or in a different wire center. The total number of DS0s on a Bonded Digital Link Service channel may not exceed the total capacity of the DS1 or equivalent service to which it is connected.

At the customer's option, the Telephone Company will bond contiguous DS0 channels in order to provide higher data rates. The following data rates are available:

- 64 kbps; 1 DS0 equivalent channel
- 256 kbps; 4 bonded equivalent DS0s
- 384kbps; 6 bonded equivalent DS0s
- 512 kbps; 8 bonded equivalent DS0s
- 768 kbps; 12 bonded equivalent DS0s

For the transmission of the Bonded Digital Link channels, the Telephone Company assumes responsibility for the routing of the customer's DS0 and bonded DS0 circuits over the Telephone Company's interoffice network in order to maximize network efficiencies and to optimize economic efficiencies.

---

ACCESS SERVICE

---

7. Special Access Service (Cont'd)7.2 Service Descriptions (Cont'd)7.2.8.1 Bonded Digital Link Service (Cont'd)(B) Terms and Conditions

- (1) Bonded Digital Link Service is available within or between wire centers where suitable digital cross-connect technology exists to perform DS1 to DS0 multiplexing functions. Those locations (wire centers) are set forth in NATIONAL EXCHANGE CARRIER ASSOCIATION, INC. TARIFF F.C.C. NO. 4.
- (2) The service may only be used for connection from a wire center with a digital hubbing arrangement to a DS1 special access service capable of assignment to compatible DS0 channels. The customer or its authorized representatives must designate the DS0 channels on the special access service connected to this service. Data rates above 64 kbps require contiguous DS0 channel assignments. Connection to services other than special access service is prohibited.
- (3) Bonded Digital Link Service is provided with a one-year minimum service period. If service is disconnected prior to satisfying the minimum service period (i.e., within the first twelve months), minimum period charges apply. The minimum one-year period and minimum period charges do not apply if the rates have increased during the one-year period. The minimum period charge is equal to 100 % of the monthly rate from the date of disconnection through the balance of the first twelve months of service.
- (4) This service is used for connectivity within or between wire centers. The rates and charges for Bonded Digital Link Service apply as a flat rate per DS0 equivalent channel.
- (5) Credit for an interruption of Bonded Digital Link Service is subject to the basic credit allowance set forth for Special Access services as set forth in Section 2.7.1(A) preceding.
- (6) Bonded Digital Link Service is provided with a negotiated interval as set forth in Section 5.2.1(B) preceding.
- (7) The rates and charges for Bonded Digital Link Service apply per DS0 equivalent channel (64 kbps). The customer is assessed either an Intra-office or an Inter-office Channel Charge for each DS0. Rates and charges are set forth in 7.5.8.1 following.

ACCESS SERVICE

---

7. Special Access Service (Cont'd)7.2 Service Descriptions (Cont'd)7.2.9 High Capacity Service

## (A) Basic Channel Description

A High Capacity channel is a channel for the digital transmission of 1.544, 3.152, or 44.736 Mbps isochronous serial data. The actual bit rate and framing format is a function of the channel interface selected by the customer. High Capacity channels are provided between customer designated premises, between a customer designated premises and a Telephone Company Hub, between a customer designated premises and a wire center where connection to an advanced data service# occurs, or Hub-to-Hub for Reconfigure Service at 1.544 and 44.736 Mbps transmission. High Capacity channels may also be connected to an in-service Telephone Company provided integrated optical service, provided that such connections are technically and operationally feasible, as determined by the Telephone Company.

## (1) DS1 High Capacity/1.544 Mbps Service

DS1 service (a 1.544 Mbps facility) is provided with an electrical interface.

A nominal 64.0 kbps service is available only as a channel of a 1.544 Mbps facility between two Telephone Company Digital Data Hubs or as a cross connect of two 2.4, 4.8, 9.6, 19.2, 56.0, or 64.0 kbps channels of two DS1 services at a Digital Data Hub(s). The customer must provide system and channel assignment data.

## (2) DS3 High Capacity/44.736 Mbps Services

DS3 service is available in standard channel termination configurations and is provided with an electrical interface. As an option, DS3/44.736 service may be ordered with an optical interface (i.e. mid-span meet).

Beginning August 7, 1998, the Company will no longer offer DS3C/44.736(X3) with an optical interface in response to new requests. All new requests for DS3 optical interfaces will be provisioned over SONET transmission devices. The new optical option is DS3 SONET Optical Interface (SOI). Those DS3 services provisioned prior to August 7, 1998, with Company provided Optical Line Terminating Equipment (OLTE) located in the Serving Wire Center, will continue to be provided and maintained.

# Advanced data services include frame relay services, switched multi-megabit services, internet protocol services and ATM-cell relay services.

---

ACCESS SERVICE

---

7. Special Access Service (Cont'd)7.2 Service Descriptions (Cont'd)7.2.9 High Capacity Service (Cont'd)(A) Basic Channel Description (Cont'd)(2) DS3 High Capacity/44.736, 44.736 (X3), & 44.736 (X12) Mbps Services (Cont'd)

All DS3 services ordered with an optical interface option are provisioned with protection at the Serving Wire Center. Prior to August 7, 1998, DS3 services with this interface option will terminate in telephone company provided Optical Line Terminating Equipment (OLTE) located in the telephone company's serving wire center. Beginning August 7, 1998, DS3 SONET Optical Interface (SOI) will be provisioned over SONET transmission devices. The SONET transmission device will operate in a terminal/linear mode with fiber diversely routed (where available) between the Serving Wire Center and the customer's premises. The Data Communications Channel in the SONET transmission device will be disabled.

The OLTE located at the customer's premises and the DS3 SOI are subject to the mutual agreement of the parties and the associated protection and transmission capabilities must be compatible with the OLTE and the DS3 SOI specified in the telephone company's central office. All optical interfaces are only available where facilities permit and may be provisioned over multiple systems and any combinations of facilities and transmission speeds.

DS3 and optical interface channels can be connected at the wire center serving that premises to individual terminating DS3 channels, individual DS3 channels for multiplexing at designated Hubs, or to other DS3 services for multi-DS3 premises-to-premises connections. DS3 Channel Mileage is provided on an individual DS3 channel basis. The DS3 to DS1 multiplexing function is only available in Telephone Company Hubs as indicated in the Exchange Carrier Association Tariff F.C.C. No. 4.

ACCESS SERVICE

7. Special Access Service (Cont'd)

7.2 Service Descriptions (Cont'd)

7.2.9 High Capacity Service (Cont'd)

(B) Technical Specifications Packages

<u>Parameter</u>	0	<u>Package HC-</u>	3
Error-Free Seconds		<u>1</u> <u>1C</u>	<u>X</u>

(C) Channel Interfaces

Compatible channel interfaces are set forth in 7.3.5(J) following. The following channel interfaces (CIs) define the bit rates that are available for a High Capacity channel:

<u>CI</u>	<u>Bit Rate</u>
DS-15	1.544 Mbps (DS1)
DS-31	3.152 Mbps (DS1C)
DS-44	44.736 Mbps (DS3)
FC-45	44.736 Mbps - Optical
FC-13	135 Mbps - Optical
FC-56	560 Mbps - Optical

(D) Optional Features and Functions

(D)



(D)

---

ACCESS SERVICE

---

7. Special Access Service (Cont'd)

7.2 Service Descriptions (Cont'd)

7.2.9 High Capacity Service (Cont'd)

(D) Optional Features and Functions (Cont'd)

(D)

(D)



---

ACCESS SERVICE

---

7. Special Access Service (Cont'd)

7.2 Service Descriptions (Cont'd)

7.2.9 High Capacity Service (Cont'd)

(D) Optional Features and Functions (Cont'd)

(D)

(D)

---

ACCESS SERVICE

---

7. Special Access Service (Cont'd)

7.2 Service Descriptions (Cont'd)

7.2.9 High Capacity Service (Cont'd)

(D) Optional Features and Functions (Cont'd)

(D)

(D)

---

ACCESS SERVICE

---

7. Special Access Service (Cont'd)

7.2 Service Descriptions (Cont'd)

7.2.9 High Capacity Service (Cont'd)

(D) Optional Features and Functions (Cont'd)

(D)

(D)

---

ACCESS SERVICE

---

7. Special Access Service (Cont'd)

7.2 Service Descriptions (Cont'd)

7.2.9 High Capacity Service (Cont'd)

(D) Optional Features and Functions (Cont'd)

(D)

(D)

---

ACCESS SERVICE

---

7. Special Access Service (Cont'd)7.2 Service Descriptions (Cont'd)7.2.10 Lightwave Facilities

**\*Note:** In accordance with Special Permission Number 94-659 and the decision of the U.S. Court of Appeals for the D.C. Circuit in *Southwestern Bell Telephone Co., et al. v. FCC*, Case No. 91-1416, decided April 5, 1994, beginning on June 8, 1994, the Telephone Company will only provide those Lightwave Facilities which are in service as of such date, and such arrangements will be continued pending the outcome for the remand proceeding resulting from such Court of Appeals decision. Also beginning on such date, the Telephone Company will not provide any new Lightwave Facilities nor will it provide any changes, additions, moves or rearrangements of existing Lightwave Facilities. The Telephone Company will provide service for all ASRs received prior to the effective date of this tariff (i.e., June 8, 1994)

(A) Basic Description

Lightwave Facilities shall be installed using single mode fiber optic facilities suitable for provisioning point- to-point communications, transmitting at customer specified bandwidths between customer premises. Lightwave Facilities are not available for termination in telephone company hub offices. These fiber optic facilities are available only where conduit exists. Any requirement to construct new conduit will be governed by the regulations, rates and charges for special construction as set forth in the tariffs as defined in Section 1, preceding. These special construction rates and charges will be in addition to the regulations, rates and charges specified in this section.

(B) Technical Specifications

The type of facility and the route of the facility will be determined by the Telephone Company. The Telephone Company makes no guarantee or warranty of the suitability of the lightwave facilities for the purposes intended by the customer.

Lightwave Facilities are only offered in capacities of four (4) strands of optic cable or twelve (12) strands of optic cable terminating on a standard optical patch panel. Since the customer provides the electronics on each end of the facility, and there are no telephone company amplifiers or repeaters on the facilities, the Telephone Company cannot test and monitor the facilities.

Consequently, the Telephone Company makes no representations or guarantees regarding suitable operating performance of the facility. Lightwave facilities are not recommended for interoffice distances in excess of 20 miles.

(C) Facility Interface

The following channel interface is the only one available for lightwave facilities: 01FCF.X

---

ACCESS SERVICE

---

7. Special Access Service (Cont'd)

7.2 Service Descriptions (Cont'd)

7.2.11 Reserved

(D)

(D)

---

ACCESS SERVICE

---

7. Special Access Service (Cont'd)

7.2 Service Descriptions (Cont'd)

7.2.11 Reserved

(D)

(D)

---

ACCESS SERVICE

---

7. Special Access Service (Cont'd)

7.2 Service Descriptions (Cont'd)

7.2.11 Reserved

(D)

(D)



---

ACCESS SERVICE

---

7. Special Access Service (Cont'd)

7.2 Service Descriptions (Cont'd)

7.2.11 Reserved

(D)

(D)

---

ACCESS SERVICE

---

7. Special Access Service (Cont'd)

7.2 Service Descriptions (Cont'd)

7.2.11 Reserved

(D)

(D)

---

ACCESS SERVICE

---

7. Special Access Service (Cont'd)

7.2 Service Descriptions (Cont'd)

7.2.11 Reserved

(D)

(D)

---

ACCESS SERVICE

---

7. Special Access Service (Cont'd)

7.2 Service Descriptions (Cont'd)

7.2.11 Reserved

(D)

(D)

180 S. Clinton Ave., Rochester, NY 14646

---

ACCESS SERVICE

---

7. Special Access Service (Cont'd)7.2 Service Descriptions (Cont'd)7.2.12 Reconfigure Service(A) General

Reconfigure Service enables customers, through the use of the Reconfigure Service host computer, to reconfigure, in real-time, specific Special Access voice grade, DDS, and/or individual channels within a 1.544 Mbps or 44.736 High Capacity Service connected at digital cross connect systems. Customers gain access to the Reconfigure Service host computer through the use of a CPE terminal at their premises without going through normal service order procedures.

(B) Service Description

Reconfigure Service allows customers management and network reconfiguration capability of their voice grade, DDS, and/or individual channels within a 1.544 and/or 44.736 Mbps High Capacity Special Access Service. The reconfiguration is accomplished by either Telephone Company or customer access of the Reconfigure Service host computer. Access is gained by a customer from a dial-up line from a customer-provided terminal at their premises to access the intelligent controller - the Reconfigure Service host computer. The Reconfigure Service host computer assures that the services to be connected together for a given customer application have compatible characteristics to ensure proper operations and functions. Once the host computer validates the customer's commands, the instructions are communicated to the digital cross-connect system(s) (DCSs) associated with the customer's services to effect the reconfiguration. The DCSs interface at a DS1 or DS3 signal level and switch internally at a DS0, DS1, or DS3 level regardless of the type of access connection.

Reconfigure Service is available at those Hubs identified in National Exchange Carrier Association (NECA) Tariff F.C.C. No. 4. Reconfigure Service configurations may utilize multiple Hubs within a LATA. However, they must be interconnected using 1.544 Mbps/DS1 or 44.736/DS3 High Capacity interoffice facilities. Reconfigure Service utilizing DDS can only be provisioned from Hubs which provide both Reconfigure Service and DDS.

Customers can reconfigure their special access networks from their premises or they can have the Telephone Company perform the reconfiguration.

---

ACCESS SERVICE

---

7. Special Access Service (Cont'd)7.2 Service Descriptions (Cont'd)7.2.12 Reconfigure Service (Cont'd)(C) Reconfigure Service Reconfiguration Options

Two network reconfiguration options are available to Reconfigure Service customers:

- Real Time
- Reservation

The real time option will make immediate changes to the network, while the reservation option will be executed at a specified time designated by the customer. Both types of reconfigurations are available whether the customer performs the reconfigurations or requests the Telephone Company to perform them.

## ACCESS SERVICE

7. Special Access Service (Cont'd)7.2 Service Descriptions (Cont'd)7.2.12 Reconfigure Service (Cont'd)(D) Technical Specifications

Access to Reconfigure Service is through the use of dial-up services.

Services capable of being cross-connected by Reconfigure Service must have identical technical characteristics to ensure compatibility and proper operation, e.g., data to data, voice to voice. Reconfigure Service specifications are delineated in Technical Reference Pub TR-TSY-000366.

If the Telephone Company determines that the requested technical specifications are not compatible, the customer will be advised and given the opportunity to change the order.

Reconfigure Service is available twenty-four hours a day except during the performance of routine maintenance of Telephone Company facilities and equipment used to provide Reconfigure Service. The following is the schedule for routine maintenance:

Scheduled Maintenance

Sunday	12:00 a.m. - 6:00 a.m.
Monday	12:00 a.m. - 3:00 a.m.
First Sat./Month	12:00 a.m. - 2:00 a.m.

In addition to the routine downtime, unscheduled or emergency circumstances may limit availability.

Service Exclusions

The following types of service terminations and options are not supported with the Reconfigure Service offering:

1. Centrex
2. Switched Access Services
3. Shared Use High Capacity Services
4. Secondary legs of a multi-point bridging arrangement
5. DDS Secondary Channel Capability
6. Integrated Channel Service



---

ACCESS SERVICE

---

7. Special Access Service (Cont'd)

7.2 Service Descriptions (Cont'd)

7.2.12 Reconfigure Service (Cont'd)

(E) Reconfigure Service Options

End Link and Interoffice Facility Compatibility Verification

System verification of compatibility of the customer specified end links in the cross-connect reconfiguration request. Each end link is verified to ensure technical compatibility for directionality, signaling type, bandwidth and service group.

DS0 Circuit Reconfiguration

The system allows point-to-point rerouting of customer DS0 facilities.

DS1 Circuit Reconfiguration

The system allows point-to-point rerouting of customer DS1 facilities at the DS0 or DS1 level.

DS3 Circuit Reconfiguration

The system allows point-to-point rerouting of customer DS3 facilities at the DS1 or DS3 level.

Real Time Capability

The customer, using demand service requests, can reconfigure their network on a real-time basis.

Reservation Capability

The customer, using reservation service requests, can schedule reconfiguration for a future time on a confirmed basis. Reservations can be scheduled on a continuous or cyclical basis.

Network Model Capability

Customers can define a predetermined network configuration of multiple two-point cross-connects and initiate the large scale network reconfiguration with one command. This capability supports daytime/nighttime or weekday/weekend networks.

Basic Routing Capabilities

The customer can define facility routes or paths to be used by the system to connect access facilities in prespecified, user-defined tables.

---

ACCESS SERVICE

---

7. Special Access Service (Cont'd)7.2 Service Descriptions (Cont'd)7.2.12 Reconfigure Service (Cont'd)(F) Reconfigure Service Configuration

Reconfigure Service provides customer-management capability of Special Access Service Networks as specified in (A) preceding. Reconfigure Service is provided from Reconfigure Service Hubs that are identified in the NECA Tariff No. 4.

Applicable rate elements with monthly rates are:

- Reconfigure Service VG/DDS Port\*
- Reconfigure Service DS1 Port
- Reconfigure Service DS3 Port
- VG/DDS Channel Terminations (one per premises)
- VG/DDS Channel Mileage (as applicable)
- DS1 Channel Termination (one per premises)
- DS3 Channel Termination (one per premises)
- DS1 Channel Mileage (as applicable between the customer's serving wire center and Reconfigure Service Hub and between Reconfigure Service Hubs)
- DS3 Channel Mileage (as applicable between the customer's serving wire center and Reconfigure Service Hub and between Reconfigure Service Hubs)

\* Reconfigure Service and DDS service can only be provided in Hub offices that support both services.

ACCESS SERVICE

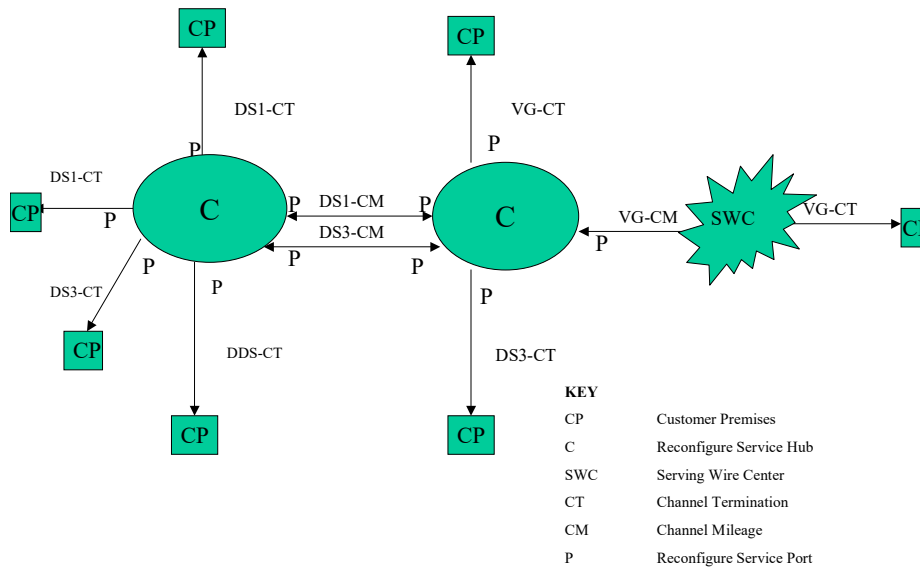
7. Special Access Service (Cont'd)

7.2 Service Descriptions (Cont'd)

7.2.12 Reconfigure Service (Cont'd)

(F) Reconfigure Service Configuration (Cont'd)

Example: Reconfigure Service configuration utilizing two Reconfigure Service Hubs and seven customer premises locations:



Rate elements with monthly recurring rates are:

- Channel Termination (2 DS3, 2 DS1, 2 VG and 1 DDS applicable)
- Channel Mileage (1 section of DS1, 1 section of DS3, and 1 section of VG applicable)
- Reconfigure Service Port Charges (11 applicable –4 DS3, 4 DS1 and 3 VG/DDS for Services terminated in the Reconfigure Service Hubs.

ACCESS SERVICE

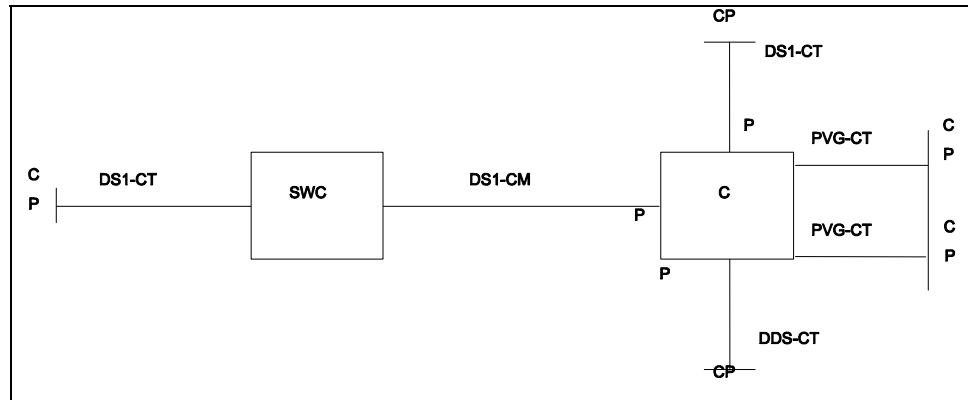
7. Special Access Service (Cont'd)

7.2 Service Descriptions (Cont'd)

7.2.12 Reconfigure Service (Cont'd)

(F) Reconfigure Service Configuration (Cont'd)

Example: Reconfigure Service configuration utilizing one Reconfigure Service Hub and five customer premises locations:



CP - Customer Premises  
 C - Reconfigure Service Hub  
 SWC - Serving Wire Center  
 CT - Channel Termination  
 CM - Channel Mileage  
 P - Reconfigure Service VG/DDS and DS1 Port

Rate elements with monthly rates are:

- Channel Termination (2 DS1, 2 VG and 1DDS applicable)
- Channel Mileage (1 section of DS1 applicable)
- Reconfigure Service Port Charges (5 applicable, 2 DS1 and 3 VG/DDS for services terminated in the Reconfigure Service Hub)

---

ACCESS SERVICE

---

7. Special Access Service (Cont'd)7.2 Service Descriptions (Cont'd)7.2.12 Reconfigure Service (Cont'd)(G) Rate Element Description(1) Service Establishment

The Nonrecurring Service Establishment charge applies per initial customer database setup. Included in this charge are the activities associated with installing the customer's network information in the Reconfigure Service Database, training the customer's personnel and providing training materials.

(2) Database Modification

This nonrecurring charge applies whenever the customer requests The Telephone Company to make a subsequent modification in their Reconfigure Service Database. A modification can be a change in security requirements or a change in administrative information (e.g. customer contact names and numbers, addition/deletion of authorized users).

(3) Telephone Company Performed Reconfiguration

This nonrecurring charge is applicable when the customer chooses to have Telephone Company personnel perform the reconfiguration activities. The Telephone Company reconfigures the customer's network based upon customer provided instructions.

This service is charged in increments of thirty (30) minutes for each occasion.

(4) Port Charges

Nonrecurring and monthly port charges apply per port termination of the DCS at the Reconfigure Service Hub office. There are three types of charges:

- Voice Grade/DDS Port Charge - Channel Port Termination for all voice grade and DDS service
- DS1 Port Charge - 1.544 Mbps Channel Port Termination
- DS3 Port Charge – 44.736 Mbps Channel Port Termination

ACCESS SERVICE

---

7. Special Access Service (Cont'd)

7.2 Service Descriptions (Cont'd)

7.2.13 Facilities Management Service#

# Effective May 1, 2009, requests for new FMS plans are no longer accepted. The Telephone Company will continue to provide service pursuant to this Section 7.2.13 on any existing FMS plans for only those ACNAs and LATAs where such FMS plans are in service as of April 30, 2009 (Existing FMS), subject to the following conditions:

- a. The Telephone Company will provide Existing FMS until the expiration date of the customer's current term plan commitment period, including any applicable extension period provided under (c) following, at which time Existing FMS shall be converted as specified in Section (b) following. Individual circuits may be added, changed or disconnected throughout the current commitment period, including any applicable extension period provided under (c) following. For any customer, including any affiliates, with Existing FMS under multiple term plans with different expiration dates (for different LATAs), the customer may either (i) continue with the existing expiration dates or (ii) select one of the expiration dates to be applicable to all of the Existing FMS term plans. The customer must provide the Telephone Company with written notification of its choice by no later than July 15, 2009.
- b. Customers who wish to convert Existing FMS to standard Telephone Company provided Special Access Service, shall specify, at least three (3) months prior to the expiration date of the Existing FMS commitment period, any then effective Month-to-Month, discount or term plan available for Switched Access Service in this tariff, to be effective upon expiration of the commitment period or extension, as applicable. In the alternative: (i) customers who also subscribe to Commitment Discount Plan (CDP) may take no action, and upon expiration of the Existing FMS commitment period or extension, as applicable, the Telephone Company will convert the Existing FMS to Special Access Service provided under CDP or (ii) non-CDP subscribers may take no action, and upon expiration of the Existing FMS commitment period or extension, as applicable, the Telephone Company will convert the Existing FMS to Special Access Service provided under the Month-to-Month, discount or term plan applicable to the secondary premises of the circuit, with any remaining FMS without billable rate elements under FMS converted to Special Access Service provided on a Month-to-Month basis. (D)
- c. For customers who wish to convert Existing FMS to standard Telephone Company provided Special Access Service as specified in Section (b) preceding, the Telephone Company will provide up to twelve (12) additional months under any Existing FMS plan for network optimization provided the customer sends written notification, setting forth how many additional months they want for an extension, to the Telephone Company by not later than three (3) months prior to the expiration date of the Existing FMS plan commitment period. The customer may request service rearrangements and/or coordinated reterminations during such extension. In accordance with Section 7.2.13(D)(15), Service Rearrangement nonrecurring charges and Coordinated Re termination nonrecurring charges for Existing FMS will not apply during the requested extension. Existing FMS term plan monthly rates will apply to all circuits until the conversion of Existing FMS to standard Telephone Company provided Special Access Service is complete. (D)

## ACCESS SERVICE

7. Special Access Service (Cont'd)7.2 Service Descriptions (Cont'd)7.2.13 Facilities Management Service# (Cont'd)(A) General (Cont'd)

Facilities Management Service (FMS) is a service option that provides for Telephone Company management of engineering and design of a customer's special access network from the customer's designated "primary premises" location(s) to Serving Wire Centers of secondary locations within the same LATA. Connection to the secondary location may be direct or through a Telephone Company location where multiplexing to a higher capacity service of a non-FMS customer occurs. With FMS, the Telephone Company assumes responsibility for the routing of the customer's dedicated circuits over the Telephone Company Special Access Network in order to maximize network efficiencies and to optimize economic efficiencies.

(B) Definitions

Entrance Facility: the facilities between a customer's network interface at its primary premises and its Serving Wire Center.

DS0 Equivalency: a DS0 channel is the basic building block for high capacity digital services.

8,064 DSOs = 1 STS12  
 2,016 DSOs = 1 STS3  
 672 DSOs = 1 DS3 or 1 STS1  
 24 DSOs = 1 DS1  
 1 DSO = 1 Voice Grade, or DDS channel

Network Interface: the interface point at a customer's premises where connection is made between the FMS network and the customer's network. FMS network interfaces are DS1, DS3 optical and electrical, and DSEF STS1, OC3, OC12 and OC48.

Primary Premises: A location designated by the customer where an FMS circuit/channel is either originated or terminated; only one end of the circuit can be designated a Primary Premises. Additionally, a primary premises must meet the criteria for one of the following two types described below:

# Service availability limited. See # footnote on Page 7-85.

ACCESS SERVICE

---

7. Special Access Service (Cont'd)7.2 Service Descriptions (Cont'd)7.2.13 Facilities Management Service# (Cont'd)

## (B) Definitions (Cont'd)

Type 1: a location with an entrance facility of a minimum of 672 Special and/or Switched Access working DS0 equivalent channels and a DS3, STS1, OC3, OC12, or OC48 network interface, or one with Collocated Interconnection DS3 Cross-connect Service and a DS3 network interface

Type 2: a location with Collocated Interconnection DS1 Cross-connect Service and a DS1 network interface, or one with an entrance facility of a minimum of 144 Special and/or Switched Access working DS0 equivalent channels and a DS1 network interface.

Secondary Premises: customer location other than a primary premises; (e.g., a customer's end user premises). Secondary premises are not included as part of the customer's FMS. Connection to a secondary premises may be direct or through a Telephone Company location where service is multiplexed on to a facility of a non-FMS customer. When the secondary premises of the non-FMS customer utilizes Dedicated SONET Ring (DSR) as set forth in Section 23.1 following, the associated port on the DSR node will be billed to the FMS customer. The port on the DSR node allows for lower capacity service to be added to, or dropped from, the high capacity dedicated ring.

# Service availability limited. See # footnote on Page 7-85.



## ACCESS SERVICE

7. Special Access Service (Cont'd)7.2 Service Descriptions (Cont'd)7.2.13 Facilities Management Service# (Cont'd)

## (C) Service Description

With FMS, Voice Grade, Digital Data, High Capacity and Dedicated SONET Entrance Facilities (DSEF) Special Access services are provided to the customer over discrete channels. The Telephone Company will engineer the service from the FMS entrance facility of the customer's designated primary premises to the Wire Center associated with the secondary premises over its own Special Access network. The wire center associated with the secondary premises may be the wire center serving the secondary premises, the wire center where the Special Access Service will be added to the DSR node of a non-FMS customer, or a Telephone Company Hub where service is multiplexed on to a higher capacity facility of a non-FMS customer. The channel routing to the serving wire center, DSR node or Hub, as applicable, may not be designated by the customer as it is for most Telephone Company regular Special Access High Capacity Services (see Section 5.2).

Facilities Management Service is an alternative to the customer's self-management of its network of standard special access channel services, and will therefore be rated discretely. See Section 7.5.18.

- (1) FMS is available in all LATAs, and is provided on a LATA basis. FMS DSEF service is provided where SONET facilities are available as described in 7.2.14(C)(2)(b).
- (2) FMS is provided on a month-to-month basis or, at the option of the customer, under a three-year or five-year term plan. The minimum period for FMS when provided on a month-to-month basis is one year. The minimum billing for individual channels within the FMS network is one month. However, FMS DSEF channel terminations are only available for either a three or five-year term plan.
- (3) FMS is available to any customer that meets the following minimum requirements:
  - (a) The customer must have at least one primary premises as defined in 7.2.13(B) preceding, within the LATA.
  - (b) All of a customer's primary premises and the associated Voice Grade, DDS, High Capacity and DSEF services must be included in the FMS plan for that LATA.
  - (c) All Primary Premises in the plan must be of the same type.

# Service availability limited. See # footnote on Page 7-85.

ACCESS SERVICE

---

7. Special Access Service (Cont'd)7.2 Service Descriptions (Cont'd)7.2.13 Facilities Management Service# (Cont'd)(D) Terms and Conditions

The following terms and conditions apply to FMS:

- (1) The customer will designate in the initial FMS order: the LATA, type of primary premises, and the term period. Only one FMS commitment period or plan is allowed per LATA.
- (2) The customer must maintain a minimum of one primary premises for the entire plan term.
- (3) When a FMS Term Plan is selected, the customer must maintain an annual minimum of 90% of the initial commitment of DS0 equivalent service for the duration of the term plan.
  - (a) The Company will annually, on the anniversary date of the term plan, calculate the average quantity of DS0 equivalent services for the previous 12 months.
  - (b) When the annual average number of services falls below the commitment level, the customer has the following options:
    - (i) Buy down the commitment level by paying termination liability, as assessed in 7.2.13(F), on the shortfall between the commitment level and the previous 12 month average. The monthly charge for the discontinued portion of the service is equal to the number of services below the commitment level multiplied by the customer's average DS0 rate based on the previous 12 months of billing.

or
    - (ii) Retain the original commitment level and pay 12 months of charges for the DS0 equivalent shortfall using the customer's average DS0 rate based on the previous 12 months billing.
  - (c) If the FMS Term Plans in multiple LATAs share a common expiration date and the same type of Primary Premises then the associated commitment level will be aggregated to a single total. Fulfillment of the commitment level will be determined as stated in 7.2.13(D)(3)(a) preceding; however, the calculation will be on the aggregate level for all eligible LATAs.

# Service availability limited. See # footnote on Page 7-85.

## ACCESS SERVICE

7. Special Access Service (Cont'd)7.2 Service Descriptions (Cont'd)7.2.13 Facilities Management Service# (Cont'd)(D) Terms and Conditions (Cont'd)

- (4) The customer will provide a DS1, DS3 or STS1 electrical, a DS3 optical, or an OC3, OC12, or an OC48 optical network interface at each primary premises.
- (5) The FMS customer, when ordering Voice Grade, DDS, High Capacity and DSEF services, will specify the type of service, the VT mapping for an STS1 channel termination, and will indicate the starting point or primary premises and the location of the secondary premises.
- (6) The Company will provide the same service intervals and quality standards for services in an FMS plan as for the standard Special Access services.
- (7) In any jurisdiction where switched access FMS is not available, and both switched and special access terminate at the same primary premises, the Company will use a switched access offset in the determination of the proper rate band of FMS Channel Termination charges. This offset will be calculated by including up to 75% of the Feature Group B and D trunks in the DS0 equivalency total.
- (8) FMS is not applicable to the following services and service options:
  - (a) Reconfigure Service
  - (b) services in other rate plans such as Term Pricing, Federal Communications Access Services or Rate Stability plans.
  - (c) central office multiplexing, e.g., voice to telegraph, DS1 to DS0, DS0 to subrates.
  - (d) Automatic Loop Transfer
  - (e) Transfer Arrangement
  - (f) Metallic, Telegraph, WATS, Wideband Analog, Wideband Digital, Program Audio, Video and Lightwave Special Access Services
  - (g) Secondary Premises or End User Channel Terminations
  - (h) Shared Network Arrangement (Exception: see (9) following).
  - (i) Dedicated SONET Ring (DSR), Dedicated SONET Shared Assurance Network (DSSAN), and Dedicated SONET Shared Single Path (DSSSP)
  - (j) Dedicated SONET Broadband Transport (DSBT), except when non-multiplexed and associated with an Dedicated SONET Entrance Facility (DSEF)

# Service availability limited. See # footnote on Page 7-85.

ACCESS SERVICE

---

7. Special Access Service (Cont'd)7.2 Service Descriptions (Cont'd)7.2.13 Facilities Management Service# (Cont'd)(D) Terms and Conditions (Cont'd)

- (9) Shared Network Arrangements (SNAs) are not allowed under FMS, except for services connected to secondary premises over a higher capacity facility of a non-FMS customer. A FMS customer whose network contains other SNAs must choose one of the 2 options following:

## (a) SNA Transition Period

The customer is allowed a transition period of one year, beginning with the effective date of the FMS application for service, in which to convert embedded base Shared Network Arrangements (SNAs). No new SNAs will be established once an FMS application for service becomes effective.

The embedded base of SNA services will not be included in the DSO calculation to determine the customer's FMS Rate Band for billing of Primary Premises Channel Terminations. However, these SNA services will be billed at the FMS rates as identified for the other standard FMS circuits.

The customer must remove all SNAs from their account prior to the end of the one-year transition period. The Company will notify the customer 60 days prior to the end of the transition period of any SNA services that remain on the customer's account. Failure to eliminate the SNAs will result in termination of service with termination liability charges.

# Service availability limited. See # footnote on Page 7-85.

## ACCESS SERVICE

7. Special Access Service (Cont'd)7.2 Service Descriptions (Cont'd)7.2.13 Facilities Management Service# (Cont'd)(D) Terms and Conditions (Cont'd)

## (9) (Cont'd)

## (b) Virtual SNA Billing Option (Cont'd)

The charges developed from the process described above will be billed monthly for a period of one year. Sixty (60) days prior to the end of this billing period, a new inventory will be conducted that will result in new Virtual SNA Billing Option charge to be billed through the next year of the customer's FMS term plan. This process will continue until the FMS plan is terminated, or until the customer physically removes the SNA circuits from FMS facilities.

- (10) The customer may also order Alternate Serving Wire Center (ASWC) and Dedicated SONET Shared Dual Path (DSSDP) as service options for FMS service. ASWC and DSSDP are described in Sections 7.2.9(D)(7) and 7.2.14(C)(2), respectively.

When ordering either optional service, ASWC or DSSDP, the term period for the optional service must match that of the FMS plan. The optional service plan is always assigned the same contract date as the FMS service. The full rates and charges as specified in Sections 7.5.9(C)(5) and 7.25.20 apply for ASWC and DSSDP, respectively.

- (11) When service is provided under a Shared Network Arrangement as set forth in (9) preceding, all rates and charges applicable to the service user for the type of arrangement involved will apply.

# Service availability limited. See # footnote on Page 7-85.

## ACCESS SERVICE

7. Special Access Service (Cont'd)7.2 Service Descriptions (Cont'd)7.2.13 Facilities Management Service# (Cont'd)(D) Terms and Conditions (Cont'd)

- (11) FMS pricing is applicable to channel terminations or Collocated Interconnection Cross-Connect Service and SPOT Bay Frame and Terminations, which are described in Section 19 following, at the primary premises and the associated channel mileage, multiplexing, installation and maintenance services.

FMS DSEF channel terminations are associated with normal FMS DS3 mileage and multiplexing. The FMS rates for these service elements are not available for services in other plans (month-to-month or term) as stated in 7.2.13(D)(9)(b). All other channel terminations, features and functions are priced and ordered from the standard special access offerings. The FMS recurring monthly rates consist of the following rate elements:

(a) Primary Premises Channel Termination

The DS0 equivalent channel termination will cover primary premises entrance facilities, including the interface.

FMS DSEF DS0 equivalent channel terminations are available in rate bands of DS3 equivalency after the third rate band and a minimum of 2016 DS0 channel terminations have been purchased. The DS0 channel terminations at a DS3 network interface are available in rate bands of DS3 equivalency. DS0 channel terminations at a DS1 entrance facility are available on a per DS0 basis after the initial minimum is met.

(b) Primary Premises Cross-Connect

The cross-connect will cover primary premises entrance facilities. Both Physical and Virtual Collocated Cross-Connect Service and Physical Collocated SPOT Bay Frame and Terminations are available. For DS3 Primary Premises Cross-Connects, a minimum order of 672 is required. For DS1 Primary Premises Cross-Connects, a minimum of 144 DS0s is required.

# Service availability limited. See # footnote on Page 7-85.

---

ACCESS SERVICE

---

7. Special Access Service (Cont'd)7.2 Service Descriptions (Cont'd)7.2.13 Facilities Management Service# (Cont'd)(D) Terms and Conditions (Cont'd)

## (11) (Cont'd)

## (c) Channel Mileage

Channel mileage for FMS is measured as if each circuit is provisioned on a point-to-point basis between the serving wire center associated with the primary premises and the wire center (serving wire center or hub, as applicable) associated with the secondary location involved. Both fixed and per-mile mileage rate elements apply at DS0 equivalency for either rating method. FMS channel mileage applies as follows:

DS1 channel mileage applies when the primary premises interface is DS1, and the signal rate to the secondary location is DS1 or less.

Basic DS3/STS1 channel mileage applies when the interface at the primary premises is DS3 or STS1 and the signal rate to the secondary premises is less than a DS3 or STS1, respectively. Direct DS3/STS1 channel mileage applies when the interface at the primary premises is DS3 or STS1 and the signal rate to the secondary location is DS3 or STS1, respectively.

OC3 channel mileage applies when the primary premises interface is a DSEF OC3 or a DSEF OC12 and the signal rate to the secondary location is OC3.

OC12 channel mileage applies when the primary premises has a DSEF OC12 interface and the signal rate to the secondary location is OC12.

DS1, Basic DS3/STS1, and Direct DS3/STS1 channel mileage are available in month-to-month, 3-year and 5-year terms. OC3 and OC12 channel mileage are only available in 3 and 5-year term plans.

# Service availability limited. See # footnote on Page 7-85.

## ACCESS SERVICE

7. Special Access Service (Cont'd)7.2 Service Descriptions (Cont'd)7.2.13 Facilities Management Service# (Cont'd)(D) Terms and Conditions (Cont'd)

## (11) (Cont'd)

## (d) Multiplexing

Multiplexing is charged on a DS0 equivalency basis. STS1 and DS3 to DS1 and DS1 to DS0 equivalent multiplexing (STS1/DS1, DS3/DS1 and DS1/DS0, respectively) are available. DS3/STS1 to DS1 multiplexing is applicable to all DS0 equivalent channels that terminate to a Primary Premises and meet Type 1 criteria as described in Section (B) preceding.

## (e) Administration Fee

This charge covers network administration and is assessed per DS0 equivalent channel.

(12) The only nonrecurring charges applicable to FMS plan services are those special construction charges that may be applicable with building of entrance facilities and changes in network interfaces.

(13) When a customer converts to a FMS Term Plan, termination liability for a service under another plan is forgiven. Additionally, "Time-In Service Credits" (TISCs) will be given for any Rate Stability Payment Plan (RSPP) or Term Pricing Plan (TPP) with a 2-year or greater commitment period converted to FMS. TISCs can be used to buy down termination liability.

(a) One TISC is given for each month per DS0 equivalent channel provisioned on the former RSPP service. Maximum allowable time-in service credit cannot exceed 60 months for any converted RSPP or TPP. For example, at FMS conversion, a customer with a DS3 3-year RSPP that has been in service for the past 30 months with 480 of the 672 available channels provisioned will be assigned 14,400 TISCs.

# Service availability limited. See # footnote on Page 7-85.



## ACCESS SERVICE

7. Special Access Service (Cont'd)7.2 Service Descriptions (Cont'd)7.2.13 Facilities Management Service# (Cont'd)(D) Terms and Conditions (Cont'd)

## (13) (Cont'd)

(b) One TISC can be used to offset or buy down 1 month of termination liability per equivalent DS0.

(c) Twelve (12) TISCs can be used to offset one FMS channel service below the minimum commitment level for a year.

(14) The FMS customer must notify the Company in writing no later than three months prior to a desired change in service regarding renewal, discontinuance, or conversion.

(a) When the customer opts to renew for either a 3 or 5 year term plan, the commitment level of the renewed plan will be equal to the number of DS0 equivalent services that are actually in service as of the date of renewal.

(b) When a notice of discontinuance is received three months prior to expiration date, the Company, upon request, will work with the customer to design a dedicated special access network to support the customer's traffic.

Standard Special Access rates (basic or term) will apply when the channel services are converted. FMS rates will apply to that portion that is not converted until network reconfiguration is complete.

(c) When notice is not received within three months of expiration date, the expiring FMS Term Plan will be renewed. The commitment level of the renewed plan will be equal to the number of DS0 equivalent services that are actually in service as of the date of renewal. The renewed plan will also have a commitment period equal to that of the expiring plan and the plan will be considered new. The renewed plan will be effective no later than the second bill period following the date of renewal. Billing based on the expiring plan and the expiring commitment level will continue until the renewed plan is in effect.

# Service availability limited. See # footnote on Page 7-85.

---

ACCESS SERVICE

---

7. Special Access Service (Cont'd)7.2 Service Descriptions (Cont'd)7.2.13 Facilities Management Service# (Cont'd)(D) Terms and Conditions (Cont'd)

## (14) (c) (Cont'd)

If, within the first 60 days of the date of renewal, the customer elects to cancel the renewed plan, discontinue the FMS Term Plan or convert its FMS services to standard Switched Access Services, termination liability will not apply to make such a change.

(15) When the customer elects to discontinue FMS and to establish a new network arrangement, no nonrecurring charges will apply except for the following:

- (a) Installation nonrecurring charges will apply for the establishment of any new channel terminations.
- (b) Nonrecurring charges will apply for the addition of any new optional feature or function.

(E) FMS Term Plan Termination Without Liability

- (1) Termination liability does not apply when cancellation of an FMS term plan occurs within thirty (30) days of the effective date of a Telephone Company initiated rate increase that is greater than eight percent on any rate applicable to FMS. (Effective December 7, 1999, existing FMS customers may cancel their FMS term plans without liability by notifying the Telephone Company of their intent to cancel no later than January 6, 2000.)
- (2) Termination liability will not apply when the plan is cancelled or converted within the first sixty (60) days following renewal of the plan under (D)(14)(c) preceding.
- (3) A request to change to a longer FMS commitment period will nullify the current termination liability. Term liability associated with the new plan will apply.
- (4) Termination liability will not be charged if a customer changes from a FMS Term Plan, in its entirety, to another Telephone Company term plan as long as all of the following requirements are met:

# Service availability limited. See # footnote on Page 7-85.

ACCESS SERVICE

7. Special Access Service (Cont'd)

7.2 Service Descriptions (Cont'd)

7.2.13 Facilities Management Service# (Cont'd)

(E) FMS Term Plan Termination Without Liability (Cont'd)

(4) (Cont'd)

- (a) FMS has been in service for a minimum of 12 months.
- (b) The quantity of DS0 equivalent channel terminations in the new plan is equal to, or greater than, 90% of the existing FMS primary premises channel terminations or 90% of the original commitment level of FMS primary premises channel terminations, whichever is greater.
- (c) The commitment period for the new term plan is of equal or greater length than the time remaining in the FMS plan period.

(F) FMS Term Plan Termination Liability

- (1) Termination liability is applicable when FMS is discontinued prior to the end of the selected plan period, except as set forth in 7.2.13(E) preceding.
- (2) Termination liability will be computed as follows:
  - (a) If discontinued within the first year, the customer will be liable for 100% of the total monthly FMS charges for the unexpired portion of the initial 12 months, plus 20% of the total monthly charges for the unexpired portion of the commitment plan period in excess of 12 months.
  - (b) If service is discontinued after the first 12 months of a plan period but prior to the end of the selected plan period, the termination liability is equal to 20% of the total monthly charges for the unexpired portion of the plan period.
  - (c) The total monthly FMS charges used to calculate the termination liability will be equal to the total FMS monthly recurring charges billable on the date of discontinuance.

(D)  
|  
|  
|  
(D)

# Service availability limited. See # footnote on Page 7-85.

---

ACCESS SERVICE

---

7. Special Access Service (Cont'd)

7.2 Service Descriptions (Cont'd)

7.2.14 Reserved

(D)

(D)

---

ACCESS SERVICE

---

7. Special Access Service (Cont'd)

7.2 Service Descriptions (Cont'd)

7.2.14 Reserved

(D)

(D)

---

ACCESS SERVICE

---

7. Special Access Service (Cont'd)

7.2 Service Descriptions (Cont'd)

7.2.14 Reserved

(D)

(D)

---

ACCESS SERVICE

---

7. Special Access Service (Cont'd)

7.2 Service Descriptions (Cont'd)

7.2.14 Reserved

(D)

(D)

---

ACCESS SERVICE

---

7. Special Access Service (Cont'd)

7.2 Service Descriptions (Cont'd)

7.2.14 Reserved

(D)

(D)



---

ACCESS SERVICE

---

7. Special Access Service (Cont'd)

7.2 Service Descriptions (Cont'd)

7.2.14 Reserved

(D)

(D)

---

ACCESS SERVICE

---

7. Special Access Service (Cont'd)

7.2 Service Descriptions (Cont'd)

7.2.14 Reserved

(D)

(D)

---

ACCESS SERVICE

---

7. Special Access Service (Cont'd)

7.2 Service Descriptions (Cont'd)

7.2.14 Reserved

(D)

(D)

---

ACCESS SERVICE

---

7. Special Access Service (Cont'd)

7.2 Service Descriptions (Cont'd)

7.2.14 Reserved

(D)

(D)

---

ACCESS SERVICE

---

7. Special Access Service (Cont'd)

7.2 Service Descriptions (Cont'd)

7.2.14 Reserved

(D)

(D)

---

ACCESS SERVICE

---

7. Special Access Service (Cont'd)

7.2 Service Descriptions (Cont'd)

7.2.14 Reserved

(D)

(D)

---

ACCESS SERVICE

---

7. Special Access Service (Cont'd)

7.2 Service Descriptions (Cont'd)

7.2.14 Reserved

(D)

(D)

---

ACCESS SERVICE

---

7. Special Access Service (Cont'd)

7.2 Service Descriptions (Cont'd)

7.2.14 Reserved

(D)

(D)



---

ACCESS SERVICE

---

7. Special Access Service (Cont'd)

7.2 Service Descriptions (Cont'd)

7.2.14 Reserved

(D)

(D)

---

ACCESS SERVICE

---

7. Special Access Service (Cont'd)

7.2 Service Descriptions (Cont'd)

7.2.14 Reserved

(D)

(D)

---

ACCESS SERVICE

---

7. Special Access Service (Cont'd)

7.2 Service Descriptions (Cont'd)

7.2.14 Reserved

(D)

(D)

---

ACCESS SERVICE

---

7. Special Access Service (Cont'd)

7.2 Service Descriptions (Cont'd)

7.2.14 Reserved

(D)

(D)

---

ACCESS SERVICE

---

7. Special Access Service (Cont'd)

7.2 Service Descriptions (Cont'd)

7.2.14 Reserved

(D)

(D)

---

ACCESS SERVICE

---

7. Special Access Service (Cont'd)

7.2 Service Descriptions (Cont'd)

7.2.14 Reserved

(D)

(D)

---

ACCESS SERVICE

---

7. Special Access Service (Cont'd)

7.2 Service Descriptions (Cont'd)

7.2.14 Reserved

(D)

(D)

---

ACCESS SERVICE

---

7. Special Access Service (Cont'd)

7.2 Service Descriptions (Cont'd)

7.2.14 Reserved

(D)

(D)



---

ACCESS SERVICE

---

7. Special Access Service (Cont'd)

7.2 Service Descriptions (Cont'd)

7.2.14 Reserved

(D)

(D)

---

ACCESS SERVICE

---

7. Special Access Service (Cont'd)

7.2 Service Descriptions (Cont'd)

7.2.14 Reserved

(D)

(D)

---

ACCESS SERVICE

---

7. Special Access Service (Cont'd)

7.2 Service Descriptions (Cont'd)

7.2.14 Reserved

(D)

(D)

---

ACCESS SERVICE

---

7. Special Access Service (Cont'd)

7.2 Service Descriptions (Cont'd)

7.2.14 Reserved

(D)

(D)

---

ACCESS SERVICE

---

7. Special Access Service (Cont'd)

7.2 Service Descriptions (Cont'd)

7.2.14 Reserved

(D)

(D)

---

ACCESS SERVICE

---

7. Special Access Service (Cont'd)

7.2 Service Descriptions (Cont'd)

7.2.14 Reserved

(D)

(D)

---

ACCESS SERVICE

---

7. Special Access Service (Cont'd)

7.2 Service Descriptions (Cont'd)

7.2.14 Reserved

(D)

(D)

---

ACCESS SERVICE

---

7. Special Access Service (Cont'd)

7.2 Service Descriptions (Cont'd)

7.2.14 Reserved

(D)

(D)



---

ACCESS SERVICE

---

7. Special Access Service (Cont'd)

7.2 Service Descriptions (Cont'd)

7.2.14 Reserved

(D)

(D)

---

ACCESS SERVICE

---

7. Special Access Service (Cont'd)

7.2 Service Descriptions (Cont'd)

7.2.14 Reserved

(D)

(D)

---

ACCESS SERVICE

---

7. Special Access Service (Cont'd)

7.2 Service Descriptions (Cont'd)

7.2.14 Reserved

(D)

(D)

---

ACCESS SERVICE

---

7. Special Access Service (Cont'd)

7.2 Service Descriptions (Cont'd)

7.2.14 Reserved

(D)

(D)

---

ACCESS SERVICE

---

7. Special Access Service (Cont'd)

7.2 Service Descriptions (Cont'd)

7.2.14 Reserved

(D)

(D)

---

ACCESS SERVICE

---

7. Special Access Service (Cont'd)

7.2 Service Descriptions (Cont'd)

7.2.14 Reserved

(D)

(D)

---

ACCESS SERVICE

---

7. Special Access Service (Cont'd)

7.2 Service Descriptions (Cont'd)

7.2.14 Reserved

(D)

(D)

---

ACCESS SERVICE

---

7. Special Access Service (Cont'd)

7.2 Service Descriptions (Cont'd)

7.2.14 Reserved

(D)

(D)



---

ACCESS SERVICE

---

7. Special Access Service (Cont'd)

7.2 Service Descriptions (Cont'd)

7.2.14 Reserved

(D)

(D)

---

ACCESS SERVICE

---

7. Special Access Service (Cont'd)

7.2 Service Descriptions (Cont'd)

7.2.14 Reserved

(D)

(D)

---

ACCESS SERVICE

---

7. Special Access Service (Cont'd)

7.2 Service Descriptions (Cont'd)

7.2.14 Reserved

(D)

(D)

---

ACCESS SERVICE

---

7. Special Access Service (Cont'd)

7.2 Service Descriptions (Cont'd)

7.2.14 Reserved

(D)

(D)

---

ACCESS SERVICE

---

7. Special Access Service (Cont'd)

7.2 Service Descriptions (Cont'd)

7.2.14 Reserved

(D)

(D)

---

ACCESS SERVICE

---

7. Special Access Service (Cont'd)

7.2 Service Descriptions (Cont'd)

7.2.14 Reserved

(D)

(D)

---

ACCESS SERVICE

---

7. Special Access Service (Cont'd)

7.2 Service Descriptions (Cont'd)

7.2.14 Reserved

(D)

(D)

---

ACCESS SERVICE

---

7. Special Access Service (Cont'd)

7.2 Service Descriptions (Cont'd)

7.2.14 Reserved

(D)

(D)



---

ACCESS SERVICE

---

7. Special Access Service (Cont'd)

7.2 Service Descriptions (Cont'd)

7.2.14 Reserved

(D)

(D)

---

ACCESS SERVICE

---

7. Special Access Service (Cont'd)

7.2 Service Descriptions (Cont'd)

7.2.14 Reserved

(D)

(D)

---

ACCESS SERVICE

---

7. Special Access Service (Cont'd)

7.2 Service Descriptions (Cont'd)

7.2.14 Reserved

(D)

(D)

---

ACCESS SERVICE

---

7. Special Access Service (Cont'd)

7.2 Service Descriptions (Cont'd)

7.2.14 Reserved

(D)

(D)

---

ACCESS SERVICE

---

7. Special Access Service (Cont'd)

7.2 Service Descriptions (Cont'd)

7.2.14 Reserved

(D)

(D)

---

ACCESS SERVICE

---

7. Special Access Service (Cont'd)

7.2 Service Descriptions (Cont'd)

7.2.15 Reserved

(D)

(D)

ACCESS SERVICE

---

7. Special Access Service (Cont'd)

7.2 Service Descriptions (Cont'd)

7.2.15 Reserved

(D)

(D)

---

ACCESS SERVICE

---

7. Special Access Service (Cont'd)

7.2 Service Descriptions (Cont'd)

7.2.15 Reserved

(D)

(D)



---

ACCESS SERVICE

---

7. Special Access Service (Cont'd)

7.2 Service Descriptions (Cont'd)

7.2.15 Reserved

(D)

(D)

---

ACCESS SERVICE

---

7. Special Access Service (Cont'd)

7.2 Service Descriptions (Cont'd)

7.2.15 Reserved

(D)

(D)

---

ACCESS SERVICE

---

7. Special Access Service (Cont'd)

7.2 Service Descriptions (Cont'd)

7.2.15 Reserved

(D)

(D)

---

ACCESS SERVICE

---

7. Special Access Service (Cont'd)

7.2 Service Descriptions (Cont'd)

7.2.15 Reserved

(D)

(D)

---

ACCESS SERVICE

---

7. Special Access Service (Cont'd)

7.2 Service Descriptions (Cont'd)

7.2.15 Reserved

(D)

(D)

---

ACCESS SERVICE

---

7. Special Access Service (Cont'd)

7.2 Service Descriptions (Cont'd)

7.2.15 Reserved

(D)

(D)

---

ACCESS SERVICE

---

7. Special Access Service (Cont'd)

7.2 Service Descriptions (Cont'd)

7.2.15 Reserved

(D)

(D)

---

ACCESS SERVICE

---

7. Special Access Service (Cont'd)

7.2 Service Descriptions (Cont'd)

7.2.16 Reserved

(D)

(D)



---

ACCESS SERVICE

---

7. Special Access Service (Cont'd)

7.2 Service Descriptions (Cont'd)

7.2.16 Reserved

(D)

(D)

---

ACCESS SERVICE

---

7. Special Access Service (Cont'd)

7.2 Service Descriptions (Cont'd)

7.2.16 Reserved

(D)

(D)

---

ACCESS SERVICE

---

7. Special Access Service (Cont'd)

7.2 Service Descriptions (Cont'd)

7.2.16 Reserved

(D)

(D)

---

ACCESS SERVICE

---

7. Special Access Service (Cont'd)

7.2 Service Descriptions (Cont'd)

7.2.16 Reserved

(D)

(D)

---

ACCESS SERVICE

---

7. Special Access Service (Cont'd)

7.2 Service Descriptions (Cont'd)

7.2.16 Reserved

(D)

(D)

---

ACCESS SERVICE

---

7. Special Access Service (Cont'd)

7.2 Service Descriptions (Cont'd)

7.2.16 Reserved

(D)

(D)

---

ACCESS SERVICE

---

7. Special Access Service (Cont'd)

7.2 Service Descriptions (Cont'd)

7.2.16 Reserved

(D)

(D)

---

ACCESS SERVICE

---

7. Special Access Service (Cont'd)

7.2 Service Descriptions (Cont'd)

7.2.16 Reserved

(D)

(D)



---

ACCESS SERVICE

---

7. Special Access Service (Cont'd)

7.2 Service Descriptions (Cont'd)

7.2.16 Reserved

(D)

(D)

---

ACCESS SERVICE

---

7. Special Access Service (Cont'd)

7.2 Service Descriptions (Cont'd)

7.2.16 Reserved

(D)

(D)

---

ACCESS SERVICE

---

7. Special Access Service (Cont'd)

7.2 Service Descriptions (Cont'd)

7.2.16 Reserved

(D)

(D)

## ACCESS SERVICE

7. Special Access Service (Cont'd)7.3 Channel Interface and Network Channel Codes

This section explains the Channel Interface codes and Network Channel codes that the customer must specify when ordering Special Access Service. Included is an example which explains the specific characters of the code, a glossary of Channel Interface codes, impedance levels, Network Channel codes and compatible Channel Interfaces.

Example: If the customer specifies a MT Network Channel Code and a 2DC8-3 Channel Interface at the customer's premises, the following is being requested:

MT = Metallic Channel with a Predefined Technical Specification Package (1)  
 2 = Number of physical wires at customer premises  
 DC = Facility interface for direct current or voltage  
 8 = Variable impedance level  
 3 = Metallic facilities (DC continuity) for direct current/low frequency control signals or slow speed data (30 baud)

7.3.1 Glossary of Channel Interface Codes and Options

<u>Code</u>	<u>Option</u>	<u>Definition</u>
AB -		accepts 20 Hz ringing signal at customer's point of termination
AC -		accepts 20 Hz ringing signal at customer's end user's point of termination
AH -		analog high capacity interface
-	B	60 kHz to 108 kHz (12 channels)
-	C	312 kHz to 552 kHz (60 channels)
-	D	564 kHz to 3084 kHz (600 channels)
CT -		Centrex Tie Trunk Termination
CX -		Digital Termination on a Switch
DA -		data stream in VF frequency band at customer's end user's point of termination
DB -		data stream in VF frequency band at customer's point of termination
-	10	VF for TG1 and TG2
-	43	VF for 43 Telegraph Carrier type signals, TG1 and TG2
DC -		direct current or voltage
-	1	monitoring interface with series RC combination (McCullon format)
-	2	Telephone Company energized alarm channel
-	3	Metallic facilities (DC continuity) for direct current/low frequency control signals or slow speed data (30 baud)

## ACCESS SERVICE

7. Special Access Service (Cont'd)7.3 Channel Interface and Network Channel Codes (Cont'd)7.3.1 Glossary of Channel Interface Codes and Options (Cont'd)

<u>Code</u>	<u>Option</u>	<u>Definition</u>
DD -		DATAPHONE Select-A-Station (and TABS) interface at customer's point of termination
DE -		DATAPHONE Select-A-Station (and TABS) interface at the customer's end user's point of termination
DS -		digital hierarchy interface
-	15	1.544 Mbps (DS1) format per PUB 62411 and Supplement A plus D4
-	15B	1.544 Mbps (DS1) format per PUB 62411 and Supplement A plus D4 with B8ZS clear channel capability
-	15E	8-bit PCM encoded in one 64 Kbps of the DS1 signal
-	15F	8-bit PCM encoded in two 64 Kbps of the DS1 signal
-	15G	8-bit PCM encoded in three 64 Kbps of the DS1 signal
-	15H	14/11-bit PCM encoded in six 64 Kbps of the DS1 signal
-	15J	1.544 Mbps format per Technical Reference GR-54-CORE, Issue 1
-	15K	1.544 Mbps format per Technical Reference GR-54-CORE, Issue 1 plus extended framing format
-	15L	1.544 Mbps (DS1) with SF signaling
-	15S	1.544 Mbps (DS1) with B8ZS clear channel capability per Technical Reference GR-54-CORE, Issue 1, plus extended framing
-	31	3.152 Mbps (DS1C)
-	31L	3.152 Mbps (DS1C) with SF signaling
-	44	44.736 Mbps (DS3)
-	44A	44.736 Mbps (DS3 unchannelized and C-Bit Parity per GR-342
-	44I	44.736 Mbps (DS3) with C-Bit Parity format
-	44L	44.736 Mbps (DS3) with SF signaling
DU -		digital access interface
-	19	19.2 kbps
-	24	2.4 Kbps
-	24S	2.4 Kbps with secondary channel
-	48	4.8 Kbps
-	48S	4.8 Kbps with secondary channel
-	56	56.0 Kbps
-	56S	56.0 Kbps with secondary channel
-	64	64.0 kbps
-	96	9.6 Kbps
-	96S	9.6 Kbps with secondary channel
-	A	1.544 Mbps format per Technical Reference GR-54-CORE, Issue 1
-	B	1.544 Mbps format per Technical Reference GR-54-CORE, Issue 1 plus D4
-	D	1.544 Mbps (DS1) format Technical Reference GR-54-CORE, Issue 1 plus D4 with B8ZS clear channel capability
-	C	1.544 Mbps format per PUB 62411 and Supplement A plus extended framing format
-	S	1.544 Mbps (DS1) with B8ZS clear channel per Technical Reference GR-54-CORE, Issue 1 plus extended framing

## ACCESS SERVICE

7. Special Access Service (Cont'd)7.3 Channel Interface and Network Channel Codes (Cont'd)7.3.1 Glossary of Channel Interface Codes and Options (Cont'd)

<u>Code</u>	<u>Option</u>	<u>Definition</u>
DX -		duplex signaling interface at customer's point of termination
DY -		duplex signaling interface at customer's end user's point of termination
EA -	E	Type I E&M Lead Signaling. Customer at POT or customer's end user at POT originates on E Lead.
EA -	M	Type I E&M Lead Signaling. Customer at POT or customer's end user at POT originates on M Lead.
EB -	E	Type II E&M Lead Signaling. Customer at POT or customer's end user at POT originates on E Lead.
EB -	M	Type II E&M Lead Signaling. Customer at POT or customer's end user at POT originates on M Lead.
EC -		Type III E&M signaling at customer POT
EX -	A	tandem channel unit signaling for loop start or ground start and customer supplies open end (dial tone, etc.) functions.
EX -	B	tandem channel unit signaling for loop start or ground start and customer supplies closed end (dial pulsing, etc.) functions.
FC -		Optical Interface
-	1	133 Mbps Fibre Channel
-	2	266 Mbps Fibre Channel
-	5	531 Mbps Fibre Channel
-	10C	FDDI SM 125 Mbps
-	10D	FDDI MM 125 Mbps
-	13	135 Mbps (3-DS3s) Optical Interface Transmission bit rate
-	15	Wavelength channel at 155.520 Mbps
-	25	Wavelength channel at 2.5 Gbps
-	45	45 Mbps (DS3) Optical Interface Transmission bit rate
-	62	Wavelength channel at 2.488 Gbps
-	FC	Fibre channel at 1.06 Gbps
-	CCS	ESCON 200 Mbps
-	CTS	ETR/CLO 8 Mbps
-	GFM	FICON 1.06 Gbps
-	GIS	ISC 1.06 Gbps
FM -		DWDM 4 port
-	S	Sub rate multiplexing, 1.25 Gbps
GO -		ground start loop signaling - open end function by customer or customer's end user
GS -		ground start loop signaling - closed end function by customer or customer's end user
-	C	Centrex foreign exchange termination
-	M	for terminating in central office located answering service concentrator

## ACCESS SERVICE

7. Special Access Service (Cont'd)7.3 Channel Interface and Network Channel Codes (Cont'd)7.3.1 Glossary of Channel Interface Codes and Options (Cont'd)

<u>Code</u>	<u>Option</u>	<u>Definition</u>
IA -		E.I.A. (25 pin RS-232)
LA -		end user loop start loop signaling - Type A OPS registered port open end
LB -		end user loop start loop signaling - Type B OPS registered port open end
LC -		end user loop start loop signaling - Type C OPS registered port open end
LN -		Local Area Network Interface
-	100	Fast Ethernet 125 Mbps
-	1GE	Gigabit Ethernet 1.25 Gbps
LO -		loop start loop signaling - open end function by customer or customer's end user
LR -		20 Hz automatic ringdown interface at customer with Telephone Company provided PLAR
LS -		loop start loop signaling - closed end function by customer or customer's end user
NO -		no signaling interface, transmission only
OP -		Optical Parameter
-	F	Facility
PG -		program transmission - no dc signaling
-	1	nominal frequency from 50 to 15000 Hz
-	3	nominal frequency from 200 to 3500 Hz
-	5	nominal frequency from 100 to 5000 Hz
-	8	nominal frequency from 50 to 8000 Hz
PR -		protective relaying*
RV -	O	reverse battery signaling, one way operation, originate by customer
-	T	reverse battery signaling, one way operation, terminate function by customer or customer's end user
SF -		single frequency signaling with VF band at either customer POT or customer's end user POT
SO -		SONET/SONET Digital Hierarchy Optical Interface
SN -		SONET Network
-	F	Facility

## ACCESS SERVICE

7. Special Access Service (Cont'd)7.3 Channel Interface and Network Channel Codes (Cont'd)7.3.1 Glossary of Channel Interface Codes and Options (Cont'd)

<u>Code</u>	<u>Option</u>	<u>Definition</u>
TF -		telephotograph interface
TT -		telegraph/teletypewriter interface at either customer POT or customer's end user POT
-	2	20.0 milliamperes
-	3	3.0 milliamperes
-	6	62.5 milliamperes
TV -		television interface
-	1	combined (diplexed) video and one audio signal
-	2	combined (diplexed) video and two audio signals
-	5	video plus one (or two) audio 5 kHz signal(s) or one (or two) two wire
-	15	video plus one (or two) audio 15 kHz signal(s) or one (or two) two wire
WA -		wideband bandwidth interface at customer's end user POT
-	1	limited bandwidth
-	2	nominal passband from 29000 to 40000 Hz
WB -		wideband data interface at customer POT
-	18S	18.75 kbps, synchronous
-	19A	up to 19.2 kbps, asynchronous
-	19S	19.2 kbps, synchronous
-	23A	up to 230.4 kbps, asynchronous
-	23S	230.4 kbps, synchronous
-	40S	40.8 kbps, synchronous
-	50A	up to 50.0 kbps, asynchronous
-	50S	50.0 kbps, synchronous
WC -		wideband data interface at customer's end user POT
-	18	18.75 kbps, synchronous
-	19	for 12-wire interface: 19.2 kbps, synchronous for 10-wire interface: up to 19.2 kbps, asynchronous
-	23	up to 230.4 kbps, synchronous
-	23S	230.4 kbps, synchronous
-	40	40.8 kbps, synchronous
-	50	for 12-wire interface: 50.0 kbps, synchronous for 10-wire interface: up to 50.0 kbps, asynchronous
WD -		wideband bandwidth interface at customer POT
-	1	nominal passband from 300 to 18000 Hz
-	2	nominal passband from 28000 to 44000 Hz
-	3	nominal passband from 29000 to 44000 Hz

\*Available only for the transmission of audio tone protective relaying signals used in the protection of electric power systems



## ACCESS SERVICE

7. Special Access Service (Cont'd)7.3 Channel Interface and Network Channel Codes (Cont'd)7.3.2 Impedance

The nominal reference impedance with which the channel will be terminated for the purpose of evaluating transmission performance:

<u>Value (ohms)</u>	<u>Code(s)</u>
110	0
150	1
600	2
900	3+
135	5
75	6
124	7
Variable	8
100	9

7.3.3 Digital Hierarchy Channel Interface Codes

This interface is available to customers that select the multiplexed four-wire DS-1 or higher facility interface option at the customer designated premises. Customers who have installed multiplexed DS1 systems to a Facility Hub and are connecting individual facilities to these systems to complete service arrangements will be requested to provide subsequent system and channel assignment data. Customers who request these interfaces in conjunction with other compatible non digital interfaces without system and channel assignment data will be provided service, where facilities permit, on Telephone Company DS1 Facilities Inventory. The various digital bit rates in the digital hierarchy employ the channel interface code 4DS9, 4DS0 or 4DS6 plus the speed options indicated below:

<u>Electrical Interface Code and Speed Option</u>	<u>Nominal Bit Rate (Mbps)</u>	<u>Digital Hierarchy Level</u>
4DS9-15	1.544	DS1
4DS9-31	3.152	DS1C
4DS6-44	44.736	DS3

<u>Optical Interface Code and Speed Option</u>	<u>Nominal Bit Rate (Mbps)</u>	<u>Number of Equivalent DS3s</u>
2FC-45	45	1
2FC-13	135	3

ACCESS SERVICE

---

7. Special Access Service (Cont'd)7.3 Channel Interface and Network Channel Codes (Cont'd)7.3.4 Service Designator/Network Channel Code Conversion Table

The purpose of this table is to show the relationship between the service designator codes (e.g., VGC, MT2, etc.) and the network channel codes that are used for various administrative purposes.

<u>Service Designator Code</u>	<u>Network Channel Code</u>
MTC	MQ
MT1	NT
MT2	NU
MT3	NV
TGC	NQ
TG1	NW
TG2	NY
VGC	LQ
VG1	LB
VG2	LC

## ACCESS SERVICE

7. Special Access Service (Cont'd)7.3 Channel Interface and Network Channel Codes (Cont'd)7.3.4 Service Designator/Network Channel Code Conversion Table (Cont'd)

<u>Service Designator Code</u>	<u>Network Channel Code</u>
VG3	LD
VG4	LE
VG5	LF
VG6	LG
VG7	LH
VG8	LJ
VG9	LK
VG10	LN
VG11	LP
VG12	LR
WAC	SE
WAC	SF
APC	PQ
AP1	PE
AP2	PF
AP3	PJ
AP4	PK
TVC	TQ
TV1	TV
TV2	TW
WA1	WJ
WA1T	WQ
WA2	WL
WA2A	WR
WA3	WN
WA4	WP
WD1	WB
WD2	WE
WD3	WF
DA1	XA
DA2	XB
DA3	XG
DA4	XH
DA5	XE
DA6	YN
HC0	HS
HC1	HC
HC1C	HD
HC3	HF
HC3C	HF, QTY 3
<u>Lightwave Facilities Designator Code</u>	LX

## ACCESS SERVICE

7. Special Access Service (Cont'd)7.3 Channel Interface and Network Channel Codes (Cont'd)7.3.5 Compatible Channel Interfaces

The following tables show the channel interface codes (CIs) which are compatible:

(A) Metallic

<u>Compatible CIs</u>		<u>Compatible CIs</u>	
4AH5-B	2DC8-1	4AH6-D	2DC8-2
4AH5-B	2DC8-2	2DC8-1	2DC8-2
4AH6-C	2DC8-1	2DC8-3	2DC8-3
4AH6-C	2DC8-2	4DS9-*	2DC8-1
4AH6-D	2DC8-1	4DS9-*	2DC8-2

(B) Telegraph Grade

<u>Compatible CIs</u>		<u>Compatible CIs</u>		<u>Compatible CIs</u>	
4AH5-B	10IA8	4AH6-D	4TT2-6	4DB2-43+	4TT2-2
4AH5-B	2TT2-2	2DB2-10	10IA8	4DS9-**	10IA8
4AH5-B	4TT2-2	2DB2-10	2TT2-2	4DS9-**	2TT2-2
4AH5-B	2TT2-6	2DB2-10	4TT2-2	4DS9-**	4TT2-2
4AH5-B	4TT2-6	2DB2-43+	10IA8	4DS9-**	2TT2-6
4AH6-C	10IA8	2DB2-43+	2TT2-2	4DS9-**	4TT2-6
4AH6-C	2TT2-2	2DB2-43+	2TT2-6	2TT2-2	2TT2-2
4AH6-C	4TT2-2	2DB2-43+	4TT2-2	2TT2-3	2TT2-2
4AH6-C	2TT2-6	4DB2-10	10IA8	2TT2-3	4TT2-2
4AH6-C	4TT2-6	4DB2-10	2TT2-2	2TT2-6	2TT2-6
4AH6-D	10IA8	4DB2-10	4TT2-2	2TT2-6	4TT2-2
4AH6-D	2TT2-2	4DB2-43+	10IA8	4TT2-2	4TT2-2
4AH6-D	4TT2-2	4DB2-43+	2TT2-6	4TT2-6	2TT2-6
4AH6-D	2TT2-6				

\* See 7.3.3 preceding for explanation. Available only when the customer has provided System and Channel assignment data.

\*\* See 7.3.3 preceding for explanation.

+ Supplemental Channel Assignment information required.

## ACCESS SERVICE

7. Special Access Service (Cont'd)7.3 Channel Interface and Network Channel Codes (Cont'd)7.3.5 Compatible Channel Interfaces (Cont'd)(C) Voice Grade

<u>Compatible Cls</u>		<u>Compatible Cls</u>		<u>Compatible Cls</u>	
4AB2	4AB2	4AH6-C	4DA2	4AH6-D	2DY2
		4AH6-C	2DA2	4AH6-C	9DY2
4AB2	4AC2			4AH6-C	9DY3
4AB3	4AC2	4AH5-B	6DA2	4AH6-C	6DY2
4AB2	2AC2	4AH5-B	4DA2	4AH6-C	6DY3
4AB3	2AC2	4AH5-B	2DA2	4AH6-C	4DY2
2AB2	2AC2			4AH6-C	2DY2
2AB3	2AC2	4AH6-D	4DE2	4AH5-B	9DY2
		4AH6-C	4DE2	4AH5-B	9DY3
4AB2	4SF2	4AH5-B	4DE2	4AH5-B	6DY2
4AB3	4SF2	4AH6-D	2DE2	4AH5-B	6DY3
4AC2	4AC2	4AH6-C	2DE2	4AH5-B	4DY2
4AC2	2AC2	4AH5-B	2DE2	4AH5-B	2DY2
4AH6-D	4AC2	4AH6-D	4DX3	4AH6-D	9EA2
4AH6-D	2AC2	4AH6-C	4DX3	4AH6-D	9EA3
4AH6-C	4AC2	4AH5-B	4DX3	4AH6-D	6EA2-E
4AH6-C	2AC2	4AH6-D	4DX2	4AH6-D	6EA2-M
4AH5-B	2AC2	4AH6-C	4DX2	4AH6-D	4EA2-E
4AH5-B	4AC2	4AH5-B	4DX2	4AH6-D	4EA2-M
				4AH6-C	9EA2
4AH6-D	2CT3	4AH6-D	9DY2	4AH6-C	9EA3
4AH6-C	2CT3	4AH6-D	9DY3	4AH6-C	6EA2-E
4AH5-B	2CT3	4AH6-D	6DY2		
		4AH6-D	6DY3		
		4AH6-D	4DY2		
4AH6-D	6DA2				
4AH6-D	4DA2				
4AH6-D	2DA2				
4AH6-C	6DA2				

## ACCESS SERVICE

7. Special Access Service (Cont'd)7.3 Channel Interface and Network Channel Codes (Cont'd)7.3.5 Compatible Channel Interfaces (Cont'd)(C) Voice Grade (Cont'd)

<u>Compatible Cls</u>		<u>Compatible Cls</u>		<u>Compatible Cls</u>	
4AH6-C	6EA2-M	4AH6-D	6GS2	4AH6-D+	2LO2
4AH6-C	4EA2-E	4AH6-D	4GS2	4AH6-C+	2LO3
4AH6-C	4EA2-M	4AH6-D	2GS3*	4AH6-C+	2LO2
4AH5-B	9EA2	4AH6-D	2GS2	4AH5-B+	2LO3
4AH5-B	9EA3	4AH6-C	6GS2	4AH5-B+	2LO2
4AH5-B	6EA2-E	4AH6-C	4GS2		
4AH5-B	6EA2-M	4AH6-C	2GS3*	4AH6-D+	4LR2
4AH5-B	4EA2-E	4AH6-C	2GS2	4AH6-D+	2LR2
4AH5-B	4EA2-M	4AH5-B	6GS2	4AH6-C+	4LR2
		4AH5-B	4GS2	4AH6-C+	2LR2
4AH6-D	8EB2-E	4AH5-B	2GS3*	4AH5-B+	4LR2
4AH6-D	8EB2-M	4AH5-B	2GS2	4AH5-B+	2LR2
4AH6-D	6EB2-E				
4AH6-D	6EB2-M	4AH6-D	2LA2	4AH6-D+	6LS2
4AH6-C	8EB2-E	4AH6-C	2LA2	4AH6-D+	4LS2
4AH6-C	8EB2-M	4AH5-B	2LA2	4AH6-D+	2LS2
4AH6-C	6EB2-E			4AH6-D+	2LS3**
4AH6-C	6EB2-M	4AH6-D	2LB2	4AH6-C+	6LS2
4AH5-B	8EB2-E	4AH6-C	2LB2	4AH6-C+	4LS2
4AH5-B	8EB2-M	4AH5-B	2LB2	4AH6-C+	2LS2
4AH5-B	6EB2-E			4AH6-C+	2LS3**
4AH5-B	6EB2-M	4AH6-D	2LC2	4AH5-B+	6LS2
		4AH6-C	2LC2	4AH5-B+	4LS2
4AH6-D	2G02	4AH5-B	2LC2	4AH5-B+	2LS2
4AH6-D	2G03			4AH5-B+	2LS3**
4AH6-C	2G02	4AH6-D	2LO3		
4AH6-C	2G03				
4AH5-B	2G02				
4AH5-B	2G03				

\* The "C" and "M" options as described in 7.3.1 preceding are also available with this combination (i.e., 2GS3-C or 2GS3-M).

\*\* The "M" option as described in 7.3.1 preceding is also available with this combination (i.e., 2LS3-M).

ACCESS SERVICE

7. Special Access Service (Cont'd)

7.3 Channel Interface and Network Channel Codes (Cont'd)

7.3.5 Compatible Channel Interfaces (Cont'd)

(C) Voice Grade (Cont'd)

<u>Compatible Cls</u>		<u>Compatible Cls</u>		<u>Compatible Cls</u>		<u>Compatible Cls</u>	
4AH6-D	4NO2	4AH6-D	4TF2	2CT3	4SF2	4DS9-*	4AC2
4AH6-D	2NO2	4AH6-D	2TF2	2CT3	4SF3	4DS9-*	2AC2
4AH6-C	4NO2	4AH6-C	4TF2	2CT3	6EB2-E	4DS9-*	6DA2
4AH6-C	2NO2	4AH6-C	2TF2	2CT3	6EB2-M	4DS9-*	4DA2
4AH5-B	4NO2	4AH5-B	4TF2	2CT3	6EB3-E	4DS9-*	2DA2
4AH5-B	2NO2	4AH5-B	2TF2	2CT3	8EB2-E		
		2CT3	2CT3	2CT3	8EB2-M	4DS9-*	4DE2
4AH6-D	4PR2	2CT3	4DS9-*	2CT3	8EC2	4DS9-*	2DE2
4AH6-D	2PR2			4CT2	4DX2	4DS9-*	4DX3
4AH6-C	4PR2	2CT3	6DX2	4CT2	4DS9-*	4DS9-*	4DX2
4AH6-C	2PR2	2CT3	4DX2	4CT2	4SF2		
4AH5-B	4PR2	2CT3	4DX3	4CT2	6EA2-E		
4AH5-B	2PR2			4CT2	6EA2-M		
		2CT3	9DY3	4CT2	8EB2-E	4DS9-*	9DY3
4AH6-D	4RV2-T	2CT3	6DY3	4CT2	8EB2-M	4DS9-*	9DY2
4AH6-D	2RV2-T	2CT3	9DY2	4CT2	8EC2	4DS9-*	6DY3
				6DA2	6DA2		
4AH6-C	4RV2-T	2CT3	6DY2	6DA2	4DA2	4DS9-*	6DY2
4AH6-C	2RV2-T	2CT3	4DY2	6DA2	2DA2	4DS9-*	4DY2
			4DA2	4DA2			
4AH5-B	4RV2-T	2CT3	2DY2	4DA2	2DA2	4DS9-*	2DY2
4AH5-B	2RV2-T			2DA2	2DA2		
		2CT3	9EA3	4DB2	6DA2	4DS9-*	9EA2
4AH6-D	4SF2	2CT3	9EA2	4DB2	4DA2	4DS9-*	9EA3
4AH6-C	4SF2	2CT3	6EA2-E	4DB2	2DA2	4DS9-*	6EA2-E
4AH5-B	4SF2	2CT3	6EA2-M	2DB3	2DA2	4DS9-*	6EA2-M
4AH6-D	4SF3	2CT3	4EA2-E	2DB2	2DA2	4DS9-*	4EA2-E
4AH6-C	4SF3	2CT3	4EA2-M	4DB2	4DB2	4DS9-*	4EA2-M
4AH5-B	4SF3			4DB2	4NO2		
				4DB2	4NO2		
				2DB2	2NO2		
				4DB2	4PR2		
				4DB2	2PR2		
				2DB2	2PR2		
				4DD3	4DE2		
				4DD3	2DE2		

\* See 7.3.3 preceding for explanation.

## ACCESS SERVICE

7. Special Access Service (Cont'd)7.3 Channel Interface and Network Channel Codes (Cont'd)7.3.5 Compatible Channel Interfaces (Cont'd)(C) Voice Grade (Cont'd)

<u>Compatible Cls</u>		<u>Compatible Cls</u>		<u>Compatible Cls</u>	
4DS9-*	8EB2-E	4DS9-*	4NO2	4DX3	9DY2
4DS9-*	8EB2-M	4DS9-*	2NO2	4DX2	6DY3
4DS9-*	6EB2-E			4DX3	6DY3
4DS9-*	6EB2-M	4DS9-*	4PR2	4DX2	6DY2
		4DS9-*	2PR2	4DX3	6DY2
4DS9-*	2GO2			4DX2	4DY2
4DS9-*	2GO3	4DS9-*	4RV2-T	4DX3	4DY2
		4DS9-*	2RV2-T	4DX2	2DY2
4DS9-*	6GS2	4DS9-*	2RV3-O	4DX3	2DY2
4DS9-*	4GS2	4DS9-*	4SF2		
4DS9-*	2GS2	4DS9-*	4SF3	6DX2	9EA3
4DS9-*	2GS3**			6DX2	9EA2
		4DS9-*	4TF2	6DX2	6EA2-E
4DS9-*	2LA2	4DS9-*	2TF2	6DX2	6EA2-M
				6DX2	4EA2-E
4DS9-*	2LB2	4DX2	4DX2	6DX2	4EA2-M
		4DX3	4DX2	4DX2	9EA2
4DS9-*	2LC2	4DX3	4DX3	4DX3	9EA2
				4DX2	9EA3
4DS9-*	2LO2	6DX2	9DY3	4DX3	9EA3
4DS9-*	2LO3	6DX2	9DY2	4DX2	6EA2-E
		6DX2	6DY3	4DX3	6EA2-E
4DS9-*	4LR2	6DX2	6DY2	4DX2	6EA2-M
4DS9-*	2LR2	6DX2	4DY2	4DX3	6EA2-M
		6DX2	2DY2	4DX2	4EA2-E
4DS9-*	6LS2	4DX2	9DY3	4DX3	4EA2-E
4DS9-*	4LS2	4DX3	9DY3	4DX2	4EA2-M
4DS9-*	2LS2	4DX2	9DY2	4DX3	4EA2-M
4DS9-*	2LS3***				

\* See 7.3.3 preceding for explanation.

\*\* The "C" and "M" options as described in 7.3.1 preceding are also available with this combination (i.e., 2GS3-C or 2GS3-M).

\*\*\* The "M" option as described in 7.3.1 preceding is also available with this combination (i.e., 2LS3-M).



## ACCESS SERVICE

7. Special Access Service (Cont'd)7.3 Channel Interface and Network Channel Codes (Cont'd)7.3.5 Compatible Channel Interfaces (Cont'd)(C) Voice Grade (Cont'd)

<u>Compatible Cls</u>		<u>Compatible Cls</u>		<u>Compatible Cls</u>	
6DX2	8EB2-E	4DX2	6LS2	9DY2	6DY3
6DX2	8EB2-M	4DX3	6LS2	9DY3	4DY2
6DX2	6EB2-E	4DX3	4LS2	9DY2	4DY2
6DX2	6EB2-M	4DX2	4LS2	9DY2	2DY2
4DX2	8EB2-E	4DX3	2LS3*	9DY3	2DY2
4DX2	8EB2-M	4DX2	2LS3*	6DY3	6DY3
4DX3	8EB2-E	4DX3	2LS2	6DY3	6DY2
4DX3	8EB2-M	4DX2	2LS2	6DY2	6DY2
4DX2	6EB2-E	2DX3	2LS2	6DY3	4DY2
4DX2	6EB2-M	2DX3	2LS3*	6DY3	2DY2
4DX3	6EB2-E			6DY2	4DY2
4DX3	6EB2-M	4DX3	4RV2-T	6DY2	2DY2
		4DX2	4RV2-T	4DY2	2DY2
4DX2	2LA2	4DX3	2RV2-T	4DY2	4DY2
4DX3	2LA2	4DX2	2RV2-T	2DY2	2DY2
2DX3	2LA2	4DX2	2RV3-O	6EA2-E	4AC2
		6DX2	4SF2	6EA2-M	4AC2
4DX2	2LB2	4DX2	4SF2	6EA2-E	2AC2
4DX3	2LB2	4DX3	4SF2	6EA2-M	2AC2
2DX3	2LB2	4DX2	4SF3		
		4DX3	4SF3	9EA2	9DY3
4DX2	2LC2			9EA2	9DY2
4DX3	2LC2	9DY3	9DY3	9EA2	6DY3
2DX3	2LC2	9DY3	9DY2	9EA2	6DY2
		9DY2	9DY2	9EA2	4DY2
4DX2	2LO3	9DY3	6DY3	9EA2	2DY2
4DX3	2LO3	9DY3	6DY2	9EA3	9DY3
2DX3	2LO3	9DY2	6DY2		

\* The "M" option as described in 7.3.1 preceding is also available with this combination (i.e., 2LS3-M).

## ACCESS SERVICE

7. Special Access Service (Cont'd)7.3 Channel Interface and Network Channel Codes (Cont'd)7.3.5 Compatible Channel Interfaces (Cont'd)(C) Voice Grade (Cont'd)

<u>Compatible Cls</u>		<u>Compatible Cls</u>		<u>Compatible Cls</u>	
9EA3	9DY2	4EA2-M	9DY2	4EA3-E	9EA2
9EA3	6DY3	4EA2-M	6DY3	4EA3-E	9EA3
9EA3	6DY2	4EA2-M	6DY2	4EA2-M	4EA2-M
9EA3	4DY2	4EA2-M	4DY2		
9EA3	2DY2	4EA2-M	2DY2	9EA2	8EB2-E
6EA2-E	9DY3			9EA2	8EB2-M
6EA2-E	9DY2	9EA2	9EA2	9EA2	6EB2-E
6EA2-E	6DY3	9EA2	9EA3	9EA2	6EB2-M
6EA2-E	6DY2	9EA2	6EA2-E	9EA3	8EB2-E
6EA2-E	4DY2	9EA2	6EA2-M	9EA3	8EB2-M
6EA2-E	2DY2	9EA2	4EA2-E	9EA3	6EB2-E
6EA2-M	9DY3	9EA2	4EA2-M	9EA3	6EB2-M
6EA2-M	9DY2	9EA3	9EA3	6EA2-E	8EB2-E
6EA2-M	6DY3	9EA3	6EA2-E	6EA2-E	8EB2-M
6EA2-M	6DY2	9EA3	6EA2-M	6EA2-E	6EB2-E
6EA2-M	4DY2	9EA3	4EA2-E	6EA2-E	6EB2-M
6EA2-M	2DY2	9EA3	4EA2-M	6EA2-M	8EB2-E
4EA2-E	9DY3	6EA2-E	6EA2-E	6EA2-M	8EB2-M
4EA2-E	9DY2	6EA2-E	6EA2-M	6EA2-M	6EB2-E
4EA3-E	9DY3	6EA2-M	6EA2-M	6EA2-M	6EB2-M
4EA3-E	9DY2	6EA2-E	4EA2-E	4EA2-E	8EB2-E
4EA3-E	6DY3	6EA2-E	4EA2-M	4EA2-E	8EB2-M
4EA3-E	6DY2	6EA2-M	4EA2-E	4EA3-E	8EB2-E
4EA3-E	4DY2	6EA2-M	4EA2-M	4EA3-E	8EB2-M
4EA3-E	2DY2	4EA2-E	4EA2-E	4EA2-E	6EB2-E
4EA2-E	6DY3	4EA3-E	6EA2-E	4EA2-E	6EB2-M
4EA2-E	6DY2	4EA3-E	6EA2-M	4EA3-E	6EB2-E
4EA2-E	4DY2	4EA3-E	4EA2-E	4EA3-E	6EB2-M
4EA2-E	2DY2	4EA3-E	4EA2-M	4EA2-M	8EB2-E
4EA2-M	9DY3	4EA2-E	4EA2-M		

## ACCESS SERVICE

7. Special Access Service (Cont'd)7.3 Channel Interface and Network Channel Codes (Cont'd)7.3.5 Compatible Channel Interfaces (Cont'd)(C) Voice Grade (Cont'd)

<u>Compatible Cls</u>		<u>Compatible Cls</u>		<u>Compatible Cls</u>	
4EA2-M	8EB2-M	9EA3	4SF2	6EB3-E	9DY2
4EA2-M	6EB2-E	9EA2	4SF2	6EB3-E	9DY3
4EA2-M	6EB2-M	6EA2-E	4SF3	6EB2-E	6DY2
		6EA2-M	4SF3	6EB3-E	6DY2
6EA2-E	2LA2	6EA2-E	4SF2	6EB2-E	6DY3
6EA2-M	2LA2	6EA2-M	4SF2	6EB3-E	6DY3
		4EA3-E	4SF2	6EB2-E	4DY2
6EA2-E	2LB2	4EA2-E	4SF2	6EB3-E	2DY2
6EA2-M	2LB2	4EA2-M	4SF2	6EB3-E	4DY2
				6EB2-M	9DY2
6EA2-E	2LC2	8EB2-E	4AC2	6EB2-M	9DY3
6EA2-M	2LC2	8EB2-M	4AC2	6EB2-M	6DY2
		8EB2-E	2AC2	6EB2-M	6DY3
6EA2-E	2LO3	8EB2-M	2AC2	6EB2-M	4DY2
6EA2-M	2LO3			6EB2-E	2DY2
		8EB2-E	9DY3	6EB2-M	2DY2
6EA2-E	6LS2	8EB2-E	9DY2		
6EA2-M	6LS2	8EB2-E	6DY3	6EB3-E	9EA2
6EA2-E	4LS2	8EB2-E	6DY2	6EB3-E	9EA3
6EA2-M	4LS2	8EB2-E	4DY2	6EB3-E	6EA2-E
6EA2-E	2LS2	8EB2-E	2DY2	6EB3-E	6EA2-M
6EA2-M	2LS2	8EB2-M	9DY3	6EB3-E	4EA2-E
6EA2-E	2LS3*	8EB2-M	9DY2	6EB3-E	4EA2-M
6EA2-M	2LS3*	8EB2-M	6DY3		
		8EB2-M	6DY2	8EB2-E	8EB2-E
6EA2-E	4RV2-T	8EB2-M	4DY2	8EB2-E	8EB2-M
6EA2-M	4RV2-T	8EB2-M	2DY2	8EB2-M	8EB2-M
6EA2-E	2RV2-T	6EB2-E	9DY2	8EB2-E	6EB2-E
6EA2-M	2RV2-T				
6AE2-E	2RV3-O	6EB2-E	9DY3	8EB2-E	6EB2-M
6AE2-M	2RV3-O				

\* The "M" option as described in 7.3.1 preceding is also available with this combination.

## ACCESS SERVICE

7. Special Access Service (Cont'd)7.3 Channel Interface and Network Channel Codes (Cont'd)7.3.5 Compatible Channel Interfaces (Cont'd)(C) Voice Grade (Cont'd)

<u>Compatible Cls</u>		<u>Compatible Cls</u>		<u>Compatible Cls</u>	
8EB2-M	6EB2-E	8EB2-E	4RV2-T	8EC2	8EB2-M
8EB2-M	6EB2-M	8EB2-M	4RV2-T	8EC2	6EB2-E
6EB2-E	6EB2-E	8EB2-E	2RV2-T	8EC2	6EB2-M
		8EB2-M	2RV2-T		
6EB2-E	6EB2-M	8EB2-E	2RV3-O		
6EB3-E	8EB2-E	8EB2-M	2RV3-O	8EC2	4SF2
6EB3-E	8EB2-M	8EB2-E	4SF2		
6EB2-M	6EB2-M	8EB2-M	4SF2	6EX2-B	2G03
		8EB2-E	4SF3		
8EB2-E	2LA2	8EB2-M	4SF3	6EX2-A	6GS2
8EB2-M	2LA2	6EB3-E	4SF2	6EX2-A	4GS2
		6EB2-E	4SF2	6EX2-A	2GS2
8EB2-E	2LB2	6EB2-M	4SF2	6EX2-A	2GS3**
8EB2-M	2LB2				
		8EC2	9DY2	6EX2-B	2LA2
8EB2-E	2LC2	8EC2	9DY3		
8EB2-M	2LC2	8EC2	6DY2	6EX2-B	2LB2
		8EC2	6DY3		
8EB2-E	2LO3	8EC2	4DY2	6EX2-B	2LC2
8EB2-M	2LO3	8EC2	2DY2		
				6EX2-B	2LO2
8EB2-E	6LS2	8EC2	9EA2	6EX2-B	2LO3
8EB2-M	6LS2	8EC2	9EA3		
8EB2-E	4LS2	8EC2	6EA2-E	6EX2-B	4LR2
8EB2-M	4LS2	8EC2	6EA2-M	6EX2-B	2LR2
8EB2-E	2LS2	8EC2	4EA2-E		
8EB2-M	2LS2	8EC2	4EA2-M	6EX2-A	6LS2
8EB2-E	2LS3*			6EX2-A	4LS2
8EB2-M	2LS3*	8EC2	8EB2-E	6EX2-A	2LS2
				6EX2-A	2LS3

\* The "M" option as described in 7.3.1 preceding is also available with this combination (i.e., 2LS3-M).

\*\* The "C" and "M" options as described in 7.3.1 preceding are also available with this combination (i.e., 2GS3-C or 2GS3-M).

## ACCESS SERVICE

7. Special Access Service (Cont'd)7.3 Channel Interface and Network Channel Codes (Cont'd)7.3.5 Compatible Channel Interfaces (Cont'd)(C) Voice Grade (Cont'd)

<u>Compatible CIs</u>		<u>Compatible CIs</u>		<u>Compatible CIs</u>	
6EX2-A	4SF2	6LO2	6LS2	4LR2	4SF2
6EX2-B	4SF2	6LO2	4LS2	4LR3	4SF2
		6LO2	2LS2		
6GO2	6GS2	6LO2	2LS3**	6LS2	2LA2
6GO2	4GS2	4LO2	6LS2	4LS2	2LA2
6GO2	2GS2	4LO2	4LS2	4LS3	2LA2
6GO2	2GS3*	4LO3	6LS2	2LS2	2LA2
4GO2	6GS2	4LO3	4LS2	2LS3**	2LA2
4GO3	6GS2	4LO3	2LS3**		
4GO2	4GS2	4LO3	2LS2	6LS2	2LB2
4GO3	4GS2	4LO2	2LS2	4LS2	2LB2
4GO2	2GS2	4LO2	2LS3**	4LS3	2LB2
4GO2	2GS3*	2LO3	2LS3**	2LS2	2LB2
4GO3	2GS2	2LO3	2LS2	2LS3**	2LB2
4GO3	2GS3*	2LO2	2LS2		
2GO2	2GS2	2LO2	2LS3**	6LS2	2LC2
2GO3	2GS2			4LS2	2LC2
2GO2	2GS3*	6LO2	4SF2	4LS3	2LC2
2GO3	2GS3*	4LO2	4SF2	2LS2	2LC2
		4LO3	4SF2	2LS3**	2LC2
6GO2	4SF2			6LS2	2LO3
4GO2	4SF2	4LR3	4LR2	6LS2	2LO2
4GO3	4SF2	4LR3	2LR2	4LS2	2LO2
		4LR2	4LR2	4LS2	2LO3
6GS2	2GO2	4LR2	2LR2	4LS3	2LO2
4GS2	4GO2	2LR2	2LR2	4LS3	2LO3
4GS2	2GO2	2LR3	2LR2		
4GS3	2GO2				
4GS2	2GO3				

\* The "C" and "M" options as described in 7.3.1 preceding are also available with this combination (i.e., 2GS3-G or 2GS3-M).

\*\* The "M" option as described in 7.3.1 preceding is also available with this combination (i.e., 2LS3-M).

## ACCESS SERVICE

7. Special Access Service (Cont'd)7.3 Channel Interface and Network Channel Codes (Cont'd)7.3.5 Compatible Channel Interfaces (Cont'd)(C) Voice Grade (Cont'd)

<u>Compatible Cls</u>		<u>Compatible Cls</u>		<u>Compatible Cls</u>	
6LS2	4SF2	4SF3	9DY2	4SF3	2LA2
4LS3	4SF2	4SF2	9DY3		
		4SF3	6DY3	4SF2	2LB2
4NO2	6DA2	4SF2	6DY2	4SF3	2LB2
4NO2	4DA2	4SF2	6DY3		
4NO2	2DA2	4SF3	6DY2	4SF2	2LC2
2NO2	6DA2	4SF2	4DY2	4SF3	2LC2
2NO2	4DA2	4SF3	4DY2		
2NO2	2DA2				
4NO2	4DE2	4SF3	2DY2	4SF2	2LO3
4NO2	2DE2	4SF2	2DY2	4SF3	2LO3
4NO2	4NO2	4SF3	9EA2	4SF2	2LR2
4NO2	2NO2	4SF3	9EA3	4SF3	4LR2
2NO2	2NO2	4SF3	4EA2-E	4SF3	2LR2
2NO3	2NO2	4SF3	4EA2-M		
				4SF3	6LS2
2NO3	2PR2	4SF3	6EB2-E	4SF2	4LS2
		4SF3	6EB2-M	4SF3	4LS2
4RV2-O	4RV2-T			4SF2	2LS2
4RV2-O	2RV2-T	4SF2	2GO3	4SF2	2LS3**
2RV2-O	2RV2-T			4SF3	2LS2
2RV3-O	4RV2-T	4SF3	6GS2	4SF3	2LS3**
4RV2-O	4SF2	4SF2	6GS2		
		4SF2	4GS2	4SF3	4RV2-T
4SF2	4AC2	4SF3	4GS2	4SF2	4RV2-T
4SF2	2AC2	4SF2	2GS2	4SF2	2RV2-T
				4SF2	2RV3-O
		4SF2	2GS3*	4SF3	2RV2-T
4SF3	9DY3	4SF3	2GS2		
4SF2	9DY2	4SF3	2GS3*	4SF3	4SF3
		4SF2	2LA2		

\* The "C" and "M" options as described in 7.3.1 preceding are also available with this combination (i.e., 2GS3-G or 2GS3-M).

\*\* The "M" option as described in 7.3.1 preceding is also available with this combination (i.e., 2LS3-M).

## ACCESS SERVICE

7. Special Access Service (Cont'd)7.3 Channel Interface and Network Channel Codes (Cont'd)7.3.5 Compatible Channel Interfaces (Cont'd)(C) Voice Grade (Cont'd)Compatible CIs6LS2 4SF2  
4LS3 4SF24NO2 6DA2  
4NO2 4DA2  
4NO2 2DA2(D) WATS Access Line ServiceCompatible CIsCompatible CIsCompatible CIs

4DS9*	4DS9*	2LO3	4DS9*	2RV3-0	4RV2-0
2GO3	4DS9*	2LO3	2LS2	4RV2-0	4DS9*
2GO3	2GS2	2LO3	4LS2	4RV2-0	2RV2-T
2GO3	2GS3	4LO2	4DS9*	4RV2-0	2RV3-T
2GO3	4GS3	4LO2	2LS2	4RV2-0	4RV2-0
4GO2	4DS9*	4LO2	4LS2		
4GO2	2GS2	2RV3-0	4DS9*		
4GO2	2GS3	2RV3-0	2RV2-T		
4GO2	4GS2	2RV3-0	2RV3-T		

(E) Program AudioCompatible CIsCompatible CIsCompatible CIs

4AH5-B	2PG1-3	4AH6-D	2PG1-3	4DS9-15F	2PG2-5
4AH5-B	2PG1-5	4AH6-D	2PG1-5	4DS9-15G	2PG2-8
4AH5-B	2PG1-8	4AH6-D	2PG1-8	4DS9-15H	2PG2-1
4AH5-B	2PG2-3	4AH6-D	2PG2-3	2PG2-1	2PG1-1
4AH5-B	2PG2-5	4AH6-D	2PG2-5	2PG2-1	4PG2-1
4AH5-B	2PG2-8	4AH6-D	2PG2-8	2PG2-3	2PG1-3
4AH6-C	2PG1-3	4DS9-15E	2PG1-3	2PG2-3	2PG2-3
4AH6-C	2PG1-5	4DS9-15F	2PG1-5	2PG2-5	2PG1-5
4AH6-C	2PG1-8	4DS9-15G	2PG1-8	2PG2-5	2PG2-5
4AH6-C	2PG2-3	4DS9-15H	2PG1-1	2PG2-8	2PG1-8
4AH6-C	2PG2-5	4DS9-15E	2PG2-3	2PG2-8	2PG2-8
4AH6-C	2PG2-8				

## ACCESS SERVICE

7. Special Access Service (Cont'd)7.3 Channel Interface and Network Channel Codes (Cont'd)7.3.5 Compatible Channel Interfaces (Cont'd)(F) Video

<u>Compatible Cls</u>		<u>Compatible Cls</u>		<u>Compatible Cls</u>	
2TV6-1	4TV6-15	4TV6-5	4TV6-5	6TV6-5	6TV6-5
2TV6-1	4TV7-15	4TV6-5	4TV7-5	6TV6-5	6TV7-5
2TV6-2	6TV6-15	4TV6-15	4TV6-15	6TV6-15	6TV6-15
2TV6-2	6TV7-15	4TV6-15	4TV7-15	6TV6-15	6TV7-15
2TV7-1	4TV6-15	4TV7-15	4TV6-15	6TV7-5	6TV6-5
2TV7-1	4TV7-15	4TV7-15	4TV7-15	6TV7-5	6TV7-5
2TV7-2	6TV6-15	4TV7-5	4TV6-5	6TV7-15	6TV6-15
2TV7-2	6TV7-15	4TV7-5	4TV7-5	6TV7-15	6TV7-15

(G) Wideband Analog

<u>Compatible Cls</u>		<u>Compatible Cls</u>		<u>Compatible Cls</u>	
4AH5-B	4AH5-B	4AH6-D	4AH6-D	4WD5-1	4WA5-1
4AH6-C	4AH5-B	4AH5-B	4DS9-15	4WD5-2	4WA5-1
4AH6-C	4AH6-C	4AH5-B	4DU8-A, B, OR C	4WD5-3	4WA5-2
4AH6-D	4AH5-B	4AH6-C	4DU8-A, B, OR C		
4AH6-C	4AH6-C	4AH6-D	4DU8-A, B, OR C		

(H) Wideband Data

<u>Compatible Cls</u>		<u>Compatible Cls</u>		<u>Compatible Cls</u>	
8WB5-18S	12WC6-18	8WB5-23A	10WC6-23	8WB5-50A	10WC6-50
8WB5-19A	10WC6-19	8WB5-23S	12WC6-23S	8WB5-50S	12WC6-50
8WB5-19S	12WC6-19	8WB5-40S	12WC6-40		



## ACCESS SERVICE

7. Special Access Service (Cont'd)7.3 Channel Interface and Network Channel Codes (Cont'd)7.3.5 Compatible Channel Interfaces (Cont'd)(I) Digital Data

<u>Compatible CIs</u>		<u>Compatible CIs</u>		<u>Compatible CIs</u>	
4DS9-15	4DS9-15+	4DS9-15	6DU5-48	4DU5-96	4DU5-96
4DS9-15	4DU5-24	4DS9-15	6DU5-56	6DU5-24	6DU5-24
4DS9-15	4DU5-48	4DS9-15	6DU5-96	6DU5-48	6DU5-48
4DS9-15	4DU5-56	4DU5-24	4DU5-24	6DU5-56	6DU5-56
4DS9-15	4DU5-96	4DU5-48	4DU5-48	6DU5-96	6DU5-96
4DS9-15	6DU5-24	4DU5-56	4DU5-56		
4DS9-15	4DU5-24S	4DS9-15	6DU5-48S	4DU5-96S	4DU5-96S
4DS9-15	4DU5-48S	4DS9-15	6DU5-56S	6DU5-24S	6DU5-24S
4DS9-15	4DU5-56S	4DS9-15	6DU5-96S	6DU5-48S	6DU5-48S
4DS9-15	4DU5-96S	4DU5-24S	4DU5-24S	6DU5-56S	6DU5-56S
4DS9-15	6DU5-24S	4DU5-48S	4DU5-48S	6DU5-96S	6DU5-96S
		4DU5-56S	4DU5-56S		
4DS9-15	4DU5-19				
4DS9-15	4DU5-64				
4DU5-19	4DU5-19				
4DU5-64	4DU5-64				

+ Available only as a cross connect of two digital channels at appropriate digital speeds at a Telephone Company Hub.

## ACCESS SERVICE

7. Special Access Service (Cont'd)7.3 Channel Interface and Network Channel Codes (Cont'd)7.3.5 Compatible Channel Interfaces (Cont'd)(J) High CapacityCompatible ClsCompatible Cls

		4DS9-15	6DU8-B
		4DS9-15	4DU8-B
		4DS9-15J	6DU8-A
		4DS9-15J	4DU8-A
		4DS9-15K	6DU8-B
		4DS9-15K	4DU8-B
		4DS9-15K	4DU8-C
		4DS9-15K	4DU8-C
		4DS9-31	4DS9-31
		4DS9-31	6DU8-A,B or C
		4DS9-31	4DU8-A,B or C
		4DU8-A,B or C	4DU8-A,B or C
		4DS6-44	4DS9-15
		4DS6-44	4DS9-15J
		4DS6-44	4DS9-15K
		4DS6-44C	4DS6-44C
		4DS6-44	4DU9-D
		4DS6-44	4DU9-S
		4DS6-44	4DU9-C
		4DS6-44	4DU9-B
		4DS6-44	4DS9-15B
		4DS6-44	4DS9-15S
		4DS9-15S	4DS9-15S
		4DU9-D	4DU9-D
		4DU9-S	4DU9-S
		4DS9-15B	4DU9-D
		4DS9-15S	4DU9-S
		4DS6.44I	4DS6.44I
4DS6-44	4DS6-44		
4DS6-44	6DU8-A,B or C		
4DS6-44	4DU8-A,B or C		
4DS9-15	4DS9-15+		
4DS9-15J	4DS9-15J		
4DS9-15K	4DS9-15K		
4DS6-44C	4DS9-15		
4DS6-44C	4DS9-15J		
4DS6-44C	4DS9-15K		
4DS6-44C	4DU8-A,B or C		
4DS6-44C	4DS6-44		
4DS6-44C	6DU8-A,B or C		
4DS6-44	2FCF-45		
4DS6-44C	2FCF-13		
4DS6-44G	2FCF-54		
2FCF-54	2FCF-54		
4DS6-44G	4DS6-44G		
01FCF.X	01FCF.X		
4DS9-15B	4DS9-15B		
4DS9-15K	4DS9-15K		
4DS6.44A	4DS6.44A		

+ Available only as a cross connect of two individual channels of 1.544 Mbps facilities at a Telephone Company Hub.

## ACCESS SERVICE

7. Special Access Service (Cont'd)7.3 Channel Interface and Network Channel Codes (Cont'd)7.3.5 Compatible Channel Interfaces (Cont'd)(K) Dedicated SONET Optical Transport Service

<u>Compatible CIs</u>	<u>Compatible CIs</u>
02FCF.15	02FCF.15
02FCF.62	02FCF.62
02FCF.25	02FCF.25
02FCF.FC	02FCF.FC
02FCF.FC1	02FCF.FC1
02FCF.FC2	02FCF.FC2
02FCF.FC5	02FCF.FC5
02FCF.CCS	02FCF.CCS
02FCF.GFM	02FCF.GFM
02FCF.GIS	02FCF.GIS
02FCF.CTS	02FCF.CTS
02FCF.10C	02FCF.10C
02FCF.10D	02FCF.10D
02FMF.4	02FMF.4
02FMS.S	02FMS.S
02LNF.100	02LNF.100
02LNF.1GE	02LNF.1GE
02TD6.E	02TD6.E
02SOF.D	02CXF.A, B or C
04SOF.D	02CXF.A, B or C

## ACCESS SERVICE

7. Special Access Service (Cont'd)7.3 Channel Interface and Network Channel Codes (Cont'd)7.3.5 Compatible Channel Interfaces (Cont'd)

## (L) Dedicated SONET Ring

<u>Compatible Cls</u>	<u>Compatible Cls</u>
O2CXF.A, B or C	
02LNF.A02	04DS6.44
02LNF.A03	04DS6.44I
02LNF.A04	04DS9.15
02LNF.A05	04DS9.15K
02LNF.A06	04DS9.15S
02LNF.A07	04DS9.1K
02LNF.A08	04DS9.1S
02LNF.A09	04DS9.1SN
02QBF.LL	04DU9.1KN
02QEF.LL	04DU9.1SN
02SMF.000	04DU9.CN
02SNF.000	04DU9.SN
02SOF.B	04DOF.B
02SOF.BB	04DOF.D
02SOF.BU	04SOF.F
02SOF.D	04SOF.X
02SOF.DB	02SSF.A02
02SOF.DU	02SSF.A03
02SOF.F	02SSF.A02
02SOF.FB	02SSF.A05
02SOF.FU	02SSF.A06
02SOF.I	02SSF.A07
02SOF.U	02SSF.A08
02SOF.X	02SSF.A09
02SQF.000	02SSF.B01
02SSF.B01	02SSF.B02
02SSF.B02	02SSF.C01
02SSF.C01	02SSF.C02
02SSF.C02	02SSF.C03
02SSF.C03	04ST6.A

## (M) Ethernet Private Line

<u>Compatible Cls</u>	<u>Compatible Cls</u>	<u>Compatible Cls</u>
02LNF.A02	02LNF.A04	02LNF.A07
02SOF.B	02SOF.D	02SOF.F
04LN9.1CT	04LN9.10T	04SOF.B
04SOF.D	04SOF.F	04SOF.X
04ST6.A	04CMF.C3	04CMF.C12
04CMF.C48	02OPF.A02	02OPF.A04
02OPF.A07	02QBF.K02	02SOF.X

## ACCESS SERVICE

7. Special Access Service (Cont'd)7.3 Channel Interface and Network Channel Codes (Cont'd)7.3.5 Compatible Channel Interfaces (Cont'd)

## (N) Optical Hubbing Service

Compatible CIs

02LNF.A02  
 02LNF.A04  
 02LNF.A07  
 02OPF.A02 (N)  
 02OPF.A04 (N)  
 02OPF.A07 (N)  
 02QBF.LL  
 02SOF.B (N)  
 02SOF.D (N)  
 02SOF.F  
 02SOF.X (N)  
 04FMF.008  
 04FMF.S6  
 04LN9.1CT  
 04QBF.LL  
 04SMF.A0C  
 04SMF.A18  
 04SMF.A24  
 04SMF.A3  
 04SMF.AC

Compatible CIs

04SMF.B9  
 04SMF.C6  
 04SMF.D3  
 04SMF.E  
 04SNF.A0G  
 04SNF.A4C  
 04SNF.A88  
 04SNF.AG  
 04SNF.B48  
 04SNF.B84  
 04SNF.C08  
 04SNF.C8  
 04SNF.B (N)  
 04SNF.D (N)  
 04SNF.E  
 04SNF.F (N)  
 04SNF.X (N)

ACCESS SERVICE

7. Special Access Service (Cont'd)

7.4 Rate Regulations

This section contains the specific regulations governing the rates and charges that apply for Special Access Service.

7.4.1 Types of Rates and Charges

There are three types of rates and charges. These are monthly rates, daily rates and nonrecurring charges. Additionally, certain Special Access rates and charges are applied based on "Price Cap" or "Price Bands". Price Cap rates may be further differentiated by "Rate Zones".

(C)

Rate Zones are defined in Section 2.6 and are listed in Section 14.

(D)

|

(D)

Competitive Counties and Non-Competitive Counties are defined in Section 2.6 and the wire centers within such counties are listed in Section 14. In wire centers within a Competitive County, monthly rates and nonrecurring charges for Special Access rate elements are arranged in price bands. The price band for each serving wire center within a Competitive County is specified in Section 14 following.

(C)

For Interexchange Carrier Point of Presence Special Access lines, Special Transport and Optional Features and Functions, including Multiplexing Arrangements, Price Band rates and charges apply regardless of whether the county is Competitive or Non-Competitive. In cases where Special Transport crosses price bands, the charge for the higher numbered price band applies.

For End User Special Access Lines, the application of "Price Cap" or "Price Band" is dependent upon whether or not the serving wire center is located in a Competitive County. If the End User Special Access Line is in a Competitive County, Price Band rates and charges apply. If the End User Special Access Line is in a Non-Competitive County, Price Cap rates and charges apply. Any rate element that is not labeled as either Price Band or Price Cap will apply in both Competitive and Non-Competitive Counties.

(C)

MSA's are defined in Section 2.6 and are listed in Section 14.3. In wire centers within a qualifying MSA, monthly rates and nonrecurring charges for certain Special Access and SONET service rate elements are arranged in price bands. The price band for each serving wire center within a qualifying MSA and the type of Special Access Services which are subject to price band rating are specified in Section 14.3, following. In cases where Channel Mileage crosses price bands, the charge for the higher numbered price band applies. When channel mileage is between an MSA price band and a Non-qualifying MSA (N-MSA) wire center, the rates and charges for the N-MSA wire center (a rate zone charge or a basic (N-MSA) channel mileage charge) applies.

---

ACCESS SERVICE

---

7. Special Access Service (Cont'd)

7.4 Rate Regulations

This section contains the specific regulations governing the rates and charges that apply for Special Access Service.

7.4.1 Types of Rates and Charges

The three types of rates and charges are described as follows:

(A) Monthly Rates

Monthly rates are flat recurring rates that apply each month or fraction thereof that a Special Access Service is provided. For billing purposes, each month is considered to have 30 days.

Monthly rates for Dedicated SONET Optical Transport Service are billed at Category I and Category II rates in accordance with 7.2.14(C)(4)(d)(11) preceding.

(M)

(M)

Material on this page used to appear on page 7-197.

---

ACCESS SERVICE

---

7. Special Access Service (Cont'd)7.4 Rate Regulations (Cont'd)7.4.1 Types of Rates and Charges (Cont'd)

## (A) Monthly Rates (Cont'd)

## (1) Channel Termination Monthly Rates

The channel termination rate structure for DS3 High Capacity Services differs based upon whether or not the channel termination is at a Primary or Secondary Premises. A Primary Premises is a customer designated premises where a DS3 High Capacity Service circuit/channel is either originated or terminated. Only one end of the channel can be a Primary Premises. A Secondary Premises is any customer-designated premises other than the Primary Premises.

If one end of a DS3 High Capacity Service channel is either connected to or derived from a higher speed facility (e.g., DSR), the customer location with the DS3 High Capacity channel termination is classified as a Secondary Premises. When a DS3 High Capacity Service channel is provided with the Alternate Serving Wire Center optional feature, the alternately routed channel termination is considered to be at either a Primary Premises or a Secondary Premises, depending on the classification of the customer designated premises of the associated DS3 High Capacity Service channel termination.

Monthly rates for DS3 High Capacity Services channel terminations at a primary premises apply on a tapered schedule as set forth in 7.5.9 following. The rate to be billed for each channel termination is based on a count of the total eligible Switched and Special Access channel terminations that are in service and in billing at the end of the bill period, whether provided on a month-to-month basis, under one or more term pricing plans, or a combination of both.



---

ACCESS SERVICE

---

7. Special Access Service (Cont'd)7.4 Rate Regulations (Cont'd)7.4.1 Types of Rates and Charges (Cont'd)(A) Monthly Rates (Cont'd)(1) Channel Termination Monthly Rates (Cont'd)

The following Switched and Special Access channel termination rate elements are eligible for inclusion in the Telephone Company's monthly count:

- DS3 High Capacity Special Access Services channel terminations (electrical or optical) at a primary premises as described herein;
- DS3 Switched Access Entrance Facilities channel terminations (electrical or optical) (as described in 6.8.1 preceding); and

Before the first billing period of each month, the Telephone Company will count all eligible DS3 High Capacity Special Access Services that are in service at a primary premises. The Telephone Company will then count all eligible DS3 Switched Access Entrance Facility channel terminations that are in service at that location as specified in 6.8.1 preceding. The results are added to obtain the total count for a particular customer designated premises and determines the applicable rate band. This step is repeated for each customer designated premises.

When a facility carries both Special Access and Switched Access Service under a Shared Use Arrangement as set forth in 7.4.8 following, each channel termination will be counted as either Special Access or Switched Access, but the total number of such circuits will be counted in determining the rate band charged.

---

ACCESS SERVICE

---

7. Special Access Service (Cont'd)7.4 Rate Regulations (Cont'd)7.4.1 Types of Rates and Charges (Cont'd)(A) Monthly Rates (Cont'd)(1) Channel Termination Monthly Rates (Cont'd)

For example, the Telephone Company's total DS3 count for a customer taken before the first billing period of the month is 16. A customer has ten eligible DS3 High Capacity Special Access Services channel terminations and six eligible DS3 Switched Access Entrance Facilities in service at its premises. The applicable rate band for each category (Special or Switched) is band 16. During the month, each of the ten DS3 High Capacity Special Access Services is billed at the then effective rate under band 16 (for Special Access) and each of the six DS3 Switched Access Entrance Facilities is billed at the then effective rate under band 16 (for Switched Access).

The rate band determined by the last count taken shall be used to calculate all charges incurred by and credits due to the customer for DS3 High Capacity Special Access Services channel terminations established or discontinued during the preceding billing period. The count will not be adjusted for any reason for service order activity occurring after the count is made, including services that were installed prior to the count but were not in billing when the count was taken.

A secondary premises channel termination monthly rate applies to channel terminations at secondary premises locations.

(B) Daily Rates

Daily rates are flat recurring rates that apply to each 24 hour period or fraction thereof that a Program Audio or Video (Basic, SCVS and DVTS) Special Access Service is provided for part-time or occasional use. For purposes of applying daily rates, the 24 hour period is not limited to a calendar day.

The application of daily rates for Program Audio and Video service during a consecutive 30 day period is as follows. Daily rates will be topped at an amount equal to the monthly rate (i.e., the charge to the customer for usage billed at daily rates will not exceed the monthly rate). For each day or part day of usage after the daily rates have been topped, a charge equal to 1/30th of the monthly rate will apply.

Part-time or occasional Serial Component Video Service (SCVS) and/or Digital Video Transport Service (DVTS) provided within a consecutive 30-day period will be charged either the daily rate for each day provided or the monthly rate whichever is the lesser charge.

---

ACCESS SERVICE

---

7. Special Access Service (Cont'd)7.4 Rate Regulations (Cont'd)7.4.1 Types of Rates and Charges (Cont'd)(C) Nonrecurring Charges

Nonrecurring charges are one-time charges that apply for specific work activity (i.e., installation, change or rearrangement to an existing service, or connection at non-standard premises). The types of nonrecurring charges that apply for Special Access Service are: installation of service, installation of optional features and functions, service changes, service rearrangements and Non-Standard Premises connection charges.

The nonrecurring charge rate structure applicable to the installation of access service may consist of "first" and "additional" charges, except for DS3 Service Entrance Facilities and Channel Termination, where only one rate applies. For each rate element ordered, the "first" charges apply to the first rate element (e.g., port or channel termination) specified on the service order. The "additional" charges will apply to each additional same-type rate element specified on the same service order, with the same date due, and at or between (A) the same end points, or (B) between or within the same-type multiplexed high capacity systems located in the same wire center and at or between the same end points.

(1) Installation of Service

For part-time Video Services, nonrecurring charges also apply for a Telephone Company technician to oversee the operation of service during an event for which the customer has ordered part-time Video Service and requested that a technician be present. The charge for a Telephone Company technician to oversee the operation of a part-time service during an event will be the same as the charge for Stand By Labor. The charge for Stand By Labor will apply per customer. When a single Telephone Company technician oversees the operation of part-time service(s) for more than one customer, the total charge to perform Stand By Labor will be divided equally between the customers involved. Stand By Labor charges are set forth in Section 13.2.6(B) following.

The nonrecurring charges apply to each rate element of the service installed. The nonrecurring charges for the installation of service are set forth in 7.5, 8, and 19.7 following as nonrecurring charges for Channel Termination, Termination, Transport Channel, Port Node Entrance Ring, Collocated Interconnection Cross-Connect Service or SPOT Bay Frame and Terminations rate elements, etc. (See Note below.)

When a newly installed service is added to a Commitment Discount Plan (as specified in Section 25 following), the Channel Termination nonrecurring charge also applies.

(C)

Note: See Section 19 following for further information.

---

ACCESS SERVICE

---

7. Special Access Service (Cont'd)

7.4 Rate Regulations (Cont'd)

7.4.1 Types of Rates and Charges (Cont'd)

(C) Nonrecurring Charges (Cont'd)

(2) Installation of Optional Features and Functions

Separate nonrecurring charges apply for the installation of some of the optional features and functions available with Special Access Service. Except for SVS Video Bridging, the charge applies whether the feature or function is installed coincident with the initial installation of service or at any time subsequent to the installation of the service. The charge for SVS Video Bridging applies only when the optional feature or function is installed at any time subsequent to the installation of service.

Some optional features for which separate nonrecurring charges apply are:

- Voice Grade Data Capability
- Voice Grade Telephoto Capability
- Program Audio Gain Conditioning
- Program Audio Stereo
- Wideband Data Transfer Arrangement
- SVS Video Bridging

(3) Service Changes

Service changes are changes to existing (installed) services which do not result in either a change in the minimum period requirements as set forth in 5.2.5 preceding (i.e., change from one type of Special Access Service to another or a change from one type of channel termination to another) or a change in the physical location of the point of termination at a customer designated premises. Changes in the type of service (i.e. type of service termination), Collocated Interconnection Cross-Connect Service or SPOT Bay Frame and Terminations, or in the type of High Capacity multiplexer (i.e., DS1 to Voice to DS1 to Digital) are treated as disconnects and starts. Changes in the physical location of the point of the termination at the customer premises are treated as moves and are described and charged for as set forth in 7.4.5 following. Certain changes in the physical location of the point of termination in a wire center are treated as rearrangements and are described and charged for as set forth in 7.4.1(C)(4) following.

The charge to the customer for a service change is dependent on whether the change is administrative only in nature or involves actual physical change to the service.

---

ACCESS SERVICE

---

7. Special Access Service (Cont'd)7.4 Rate Regulations (Cont'd)7.4.1 Types of Rates and Charges (Cont'd)(C) Nonrecurring Charges (Cont'd)(3) Service Charges (Cont'd)

Administrative changes will be made without charge(s) to the customer. Such changes require the continued provision and billing of the Access Service to the same customer (i.e., same customer remains responsible for all outstanding indebtedness for the Access Service). Administrative changes are as follows:

- Change of customer name (i.e., the customer of record does not change but rather the customer of record changes its name -- e.g., AT&T-Long Lines to AT&T Communications),
- Change of customer or customer's end user premises address when the change of address is not a result of a physical relocation of equipment,
- Change in billing data (name, address, or contact name or telephone number),
- Change of agency authorization,
- Change of billing account number,
- Change of customer test line number,
- Change of customer or customer's end user contact name or telephone number,
- Change of jurisdiction, and
- Change of customer-designated circuit identification at customer's request.

All other service changes will be charged for as follows:

- If the change involves the addition of another leg to an existing multipoint service, the nonrecurring change charge for the channel termination rate element will apply. The charge will apply only for the leg that is being added.
- If the change involves the addition of an optional feature or function which has a separate nonrecurring charge, that nonrecurring charge will apply.

---

ACCESS SERVICE

---

7. Special Access Service (Cont'd)7.4 Rate Regulations (Cont'd)7.4.1 Types of Rates and Charges (Cont'd)(C) Nonrecurring Charges (Cont'd)(3) Service Changes (Cont'd)

- If the change involves changing the type of signaling on a Voice Grade service, a charge equal to the Voice Grade channel termination rate element first nonrecurring change charge will apply. The charge will apply per service termination affected.
- If the change involves the addition of B8ZS and/or ESF options to an existing high capacity DS1 service, or the addition of a B8ZS to an existing high capacity DS3 service, a charge equal to the channel termination first non-recurring change charge will apply for each channel termination converted. This rate application does not apply when either of these options are initially ordered with the service.
- A change from a two-point Special Access Service without bridging to multipoint service or from a multipoint to two-point Special Access Service without bridging will be treated as discontinuance and installation of service.
- A change from a DS3 High Capacity electrical interface to an optical interface or a change from an optical interface to an electrical interface will be treated as a discontinuance and installation of service.
- For all other changes, including the addition of optional features without separate nonrecurring charges, a charge equal to a channel termination rate element first nonrecurring change charge will apply. Only one such charge will apply per service, per charge.
- For changes involving the screening, or other end office features, associated with WATS Access Line Service, the rearrangement charge specified in 6.8.1(C)(2) preceding applies.

---

ACCESS SERVICE

---

7. Special Access Service (Cont'd)7.4 Rate Regulations (Cont'd)7.4.1 Types of Rates and Charges (Cont'd)(C) Nonrecurring Charges (Cont'd)(4) Service Rearrangements

Rearrangement charges apply as specified in 7.5 on a per-termination basis for the following service rearrangements:

- a) rearranging an existing subtending service from one port to another in the same multiplexer;
- b) rearranging an existing subtending service from one multiplexer to another like multiplexer in the same wire center;
- c) rearranging an existing service into a high capacity service multiplexer in the same wire center;
- d) rearranging an existing service into Reconfigure Service, in the same wire center;
- e) rearranging an existing service to a Collocated Interconnection Cross-Connect Service or SPOT Bay Frame and Terminations in the same wire center;
- f) rearranging a Collocated Interconnection Cross-Connect Service or SPOT Bay Frame and Terminations to a full point-to-point Special Access Service in the same wire center; and
- g) rearranging an existing service from a facility of one service provider to a like facility of another service provider in the same wire center, even when a change in the customer of record is necessary.

When services are rearranged as described above, the "Additional" level of price for the Rearrangement Charges may apply to all such rearranged services beyond the first without regard to their end-point locations, so long as they are all of the same service type, have the same date due, and are all being rearranged to the same multiplexer or Reconfigure Service as the service which is incurring the associated "First" Rearrangement Charge.

---

ACCESS SERVICE

---

7. Special Access Service (Cont'd)7.4 Rate Regulations (Cont'd)7.4.1 Types of Rates and Charges (Cont'd)(C) Nonrecurring Charges (Cont'd)(4) Service Rearrangements (Cont'd)

When a service is rearranged, existing multiplexed services, if any, subtending the rearranged service will be treated as administrative changes unless the customer changes service type. If the service type changes, a charge equal to the nonrecurring (i.e., installation) charge for the new type of service channel termination rate element will apply.

(5) Non-Standard Premises (NSP) Connection

A NSP Connection Charge will apply when DS1, DS3 or DDS is first installed at a non-standard premises except when Special Construction has already been assessed to such premises for the provision of Special Access Service to that Non-Standard Premises. The NSP Connection Charge covers the termination of the transmission facility from the serving wire center of the customer designated premises to the NSP and development of a demarcation point.

The charge will apply per customer per NSP for the first Company provided Special Access service only. Any additional Special Access services ordered to the same NSP by the same customer will not be subject to the NSP Connection Charge. The NSP Connection Charge, set forth in Section 7.5.11 following, applies in addition to the nonrecurring charges for the associated channel termination rate element.

When a customer request for service at a NSP require the installation of more than 3,000 feet of cable between the serving wire center of the customer designated premises and the NSP and/or more than \$1,000.00 in contracting services (e.g., trenching, rodding, boring, placing conduit, handholes and poles, obtaining permits, etc.), such installation will be subject to the provisions of Section 5.1.3 preceding; Special Construction charges will apply instead of the NSP Connection Charge.



ACCESS SERVICE

---

7. Special Access Service (Cont'd)

7.4 Rate Regulations (Cont'd)

7.4.1 Types of Rates and Charges (Cont'd)

(C) Nonrecurring Charges (Cont'd)

(6) Coordinated Retermination

For 1.544 Mbps/DS1 High Capacity, 44.736 Mbps/DS3 High Capacity (excluding Short-Term DS3), or Facilities Management Service moves of a primary circuit termination from one Telephone Company Central Office to another Telephone Company Central Office, the customer may pay a Coordinated Retermination Charge in lieu of treating the move as a discontinuance and start of service. The Coordinated Retermination Charge applies per circuit or DS1/DS3 equivalent circuit reterminated. The Telephone Company will coordinate the work activities required in order to minimize the length of time the service being moved is unavailable. Monthly rates will apply as if the circuit remained in service with no disruption. There will be no change in minimum period requirements. No termination liabilities will apply except where the retermination eliminates chargeable services such as IOF mileage or primary premises Channel Terminations for which specific termination liabilities exist.

(N)

(M)

(M)

Certain material on this page formerly appeared on page 7-212.

---

ACCESS SERVICE

---

7. Special Access Service (Cont'd)7.4 Rate Regulations (Cont'd)7.4.2 Surcharge for Special Access Service(A) General

Special access services provided under this tariff may be subject to the monthly Special Access Surcharge.

(B) Application

- (1) The Special Access Surcharge will apply to each interstate Special Access Service that terminates on an end user's PBX or other device where, through a function of the device, the Special Access Service interconnects to the local exchange network. Interconnection functions include but are not limited to wiring and software functions, bridging, switching or patching of calls or stations. The Surcharge will apply irrespective of whether the interconnection function is performed in equipment located at the customer's premises or in a Centrex Co-type switch.
- (2) Special Access Service will be exempted from the Surcharge by the Telephone Company upon receipt of the customer's written certification for the following Special Access Service terminations:
  - (a) an open-end termination in a Telephone Company switch of an FX line, including CCSA and CCSA-equivalent ONALs; or
  - (b) an analog channel termination that is used for radio or television program transmission; or
  - (c) a termination used for TELEX service; or
  - (d) a termination that by the nature of its operating characteristics could not make use of Telephone Company common lines; or
  - (e) a termination that interconnects either directly or indirectly to the local exchange network where the usage is subject to Carrier Common Line charges\* such as, where the private line facility access only FGA and no local exchange lines, or private line facility between customer points of termination, or private line facility connecting CCSA or CCSA-type equipment (inter-machine trunks); or

\* Resellers of WATS Access Line Service may be exempted from paying CCL Charges during the transition period of June 1, 1986 to January 1, 1987. However, they must certify for exemption of the Special Access Surcharge on the WAC.

---

ACCESS SERVICE

---

7. Special Access Service (Cont'd)7.4 Rate Regulations (Cont'd)7.4.2 Surcharge for Special Access Service (Cont'd)(B) Application (Cont'd)

- (f) a termination that the customer certifies to the Telephone Company is not connected to a PBX or other device that has not been blocked by either hardware or software partitioning restrictions from connecting the private line facility to a local exchange subscriber line.
- (g) A termination of WATS Access Line Service which is used for resold WATS.

(C) Exemption of Special Access Service

- (1) Special Access Services which are terminated as set forth in 7.4.2(B) preceding will be exempted from the Special Access Surcharge if the customer provides the Telephone Company with written exemption certification. The certification may be provided to the Telephone Company (1) at the time the Special Access Service is ordered or installed; (2) at such time as the service is reterminated to a device incapable of interconnection to local exchange facilities, or (3) at such time as the service becomes associated with a Switched Access Service that is subject to Carrier Common Line Charges.
- (2) The exemption certification is to be provided by the customer ordering the services. The certification must be signed by the customer or authorized representative and include the category of exemption, as set forth in 7.4.2 (B) (2) preceding, for each termination, and the date which the exemption is effective.
- (3) The customer shall also notify the Telephone Company when an exempted Special Access Service is changed or reterminated such that the exemption is no longer applicable.
- (4) The Telephone Company will work cooperatively with the customer to resolve any questions regarding the exemption certification. However, the Telephone Company reserves the right to request additional information from the customer, when necessary, to assure qualifications for exemption of the Surcharge are met. In addition, the Telephone Company may withhold exemption of the service until the dispute is resolved.
- (5) Any WATS resellers who had WATS lines in service as of March 13, 1986 will be exempted from the Special Access Surcharge for those lines only during the transition period of June 1, 1986 to January 1, 1987.

## ACCESS SERVICE

7. Special Access Service (Cont'd)7.4 Rate Regulations (Cont'd)7.4.2 Surcharge for Special Access Service (Cont'd)(D) Rate Regulations

- (1) The Surcharge applies to each channel of a Special Access Service and per voice grade equivalent service derived from a Special Access Service as shown in the following example:

Special Access	<u>Service</u>	Voice Grade	<u>Equivalent</u>	<u>Surcharge</u>	<u>Monthly Charge</u>
	DS1	24	X	\$25	= \$600.00

One Surcharge will apply for each termination of a multipoint Special Access Service at a customer's designated premises.

- (2) The Telephone Company will bill the appropriate Special Access Surcharge to the ordering customer for each interstate Special Access Service installed unless exemption certification is provided as set forth in 7.4.2 (C) preceding.
- (3) If a written certification is not received at the time the Special Access Service is obtained, the Surcharge will be applied. Exempt status will become effective on the certification date indicated by the customer, subject to the regulations set forth in (4) following.
- (4) Crediting the Surcharge

Payment of any Special Access Surcharge billed on WATS Access Lines, in service as of June 1, 1986, may be deferred, without penalty, for up to ninety (90) days from the date of the first bill rendered for the Special Access Surcharge.

If appropriate exemption certification is not received by the Telephone Company by the end of the ninety (90) days deferral period, the billed Special Access Surcharges will become due. These charges, if unpaid, will be subject to a late payment charge as set forth in Section 2.4.1 (B)(3) preceding.

The Telephone Company will cease billing the Special Access Surcharge when certification, as set forth in 7.4.2 (C) preceding, is received. If the status of the Special Access Service was changed prior to receipt of the exemption certification, the Telephone Company will credit the customer's account, not to exceed ninety (90) days, based on the effective date of the change as specified by the customer in the letter of certification.

---

ACCESS SERVICE

---

7. Special Access Service (Cont'd)

7.4 Rate Regulations (Cont'd)

7.4.3 Message Station Equipment Recovery Charge

The Message Station Equipment Recovery Charge is a charge to recover that portion of message station equipment that is assigned to Special Access Service.

Pursuant to CC Docket No. 83-1145 Memorandum Opinion and Order adopted by the Federal Communications Commission on November 8, 1984 and released on November 9, 1984, this charge is assessed only to those customers to which the Special Access Surcharge applies. The rate for the Message Station Equipment Recovery Charge is set forth in 7.5.13 following.

Payment of any Message Station Equipment Recovery Charge billed on WATS Access Lines, in service as of June 1, 1986, may be deferred, without penalty, for up to ninety (90) days from the date of the first bill rendered for the Message Station Equipment Recovery Charge.

If appropriate exemption certification is not received by the Telephone Company by the end of the ninety (90) days deferral period, the billed Message Station Equipment Recovery Charge will become due. These charges, if unpaid, will be subject to a late payment charge as set forth in Section 2.4.1 (B)(3) preceding.

ACCESS SERVICE

7. Special Access Service (Cont'd)

7.4 Rate Regulations (Cont'd)

7.4.4 Minimum Periods

- (A) The minimum service period for all services except part-time and occasional Video, Multichannel Video, Serial Component Video Service, Program Audio services, Digital Data Service, Facility Management Service, LAN Extension Service, and DS1 and DS3 High Capacity is one month.
  - (1) The minimum service period for part-time and occasional Video (Basic, SCVS and DVTS) and Program Audio services is one day (i.e., a continuous 24-hour period, not limited to a calendar day).
  - (2) The minimum service period for Multichannel Video service, Serial Component Video Service, and Video Switch arrangements is one year.
  - (3) The minimum service period for DVTS is three months except when 45 Mbps DVTS includes the optional CODEC, then the minimum service period for the 45 Mbps DVTS is one year.
  - (4) The minimum service period for Digital Data Service and DS1 High Capacity services is two months.
  - (5) The minimum service period for a DS3 (both electrical and optical interfaces) High Capacity service or a DSSSP that is provided under a month-to-month payment plan is one year.
  - (6) The minimum service period for Facility Management Service provided on a month-to-month basis is one year.
  - (7) The minimum service period for LAN Extension Service is 3 years.
- (B) The minimum service periods for Dedicated SONET services are set forth as stated below:

<u>Service</u>	<u>Section</u>
DSR	23.1
DSSDP	7.2.14(C)(2)(a)
DSSAN	7.2.14(C)(3)(a)
DSOTS	7.2.14(C)(4)(d)
DSEF	7.2.15(E)
DSBT	8.2(C)(1)
DSSSP	8.3(C)(1)

- (C) The minimum service period for Ethernet Private Line is set forth in 7.2.20(E).
- (D) The minimum service period for a service that is included in a Commitment Discount Plan is specified in Section 25.1.10 following.

(D)  
(D)

---

**ACCESS SERVICE**

---

**7. Special Access Service (Cont'd)****7.4 Rate Regulations (Cont'd)****7.4.5 Moves**

A move involves a change in the physical location of the customer's premises which also involves a connection to a different rate demarcation point.

The charges for the move are dependent on whether the move is to a new location within the same building or to a different building.

**(A) Moves Within the Same Building**

When the move is to a new location within the same building, the charge for the move will be an amount equal to one half of the first nonrecurring (i.e., installation) charge for the service termination affected. There will be no change in the minimum period requirements.

**(B) Moves To a Different Building**

Moves to a different building will be treated as a discontinuance and start of service and all associated nonrecurring charges will apply. New minimum period and/or Service Discount Plan requirements will be established for the new services. The customer will also remain responsible for satisfying all outstanding minimum period and/or termination liability charges for the discontinued service except as specified in 25.2.5 following.

Certain material previously found on this page can now be found on Original Page 7-206.1

---

ACCESS SERVICE

---

7. Special Access Service (Cont'd)7.4 Rate Regulations (Cont'd)7.4.6 Mileage Measurement(A) General

The mileage to be used to determine the monthly rate for the Channel Mileage is calculated on the airline distance between the locations involved, i.e., the serving wire centers associated with two customer designated premises, a serving wire center associated with a customer designated premises and a telephone Company Hub\* or two Telephone Company Hubs\*. The serving wire center associated with a customer designated premises is the serving wire center from which the customer designated premises would normally obtain dial tone unless Alternate Serving Wire Center is also provided as described in 7.2.9(D)(7) preceding.

Mileage is shown in 7.5 following in terms of a per mile structure. To determine the rate to be billed, first compute the mileage using the V&H coordinates method, as set forth in the Exchange Carrier Association Tariff F.C.C. No. 4, and apply the rates. When the calculation results in a fraction of a mile, always round up to the next whole mile before applying the rates.

When Hubs\* are involved, mileage is computed and rates applied separately for each section of the Channel Mileage, i.e., customer designated premises serving wire center to Hub, Hub to Hub and/or Hub to customer designated premises serving wire center. However, when any service is routed through a Hub for purposes other than customer specified bridging, multiplexing or Reconfigure Service (e.g., the Telephone Company chooses to so route for test access purposes), rates will be applied only to the distance calculated between the serving wire centers associated with the customer designated premises.

\* Includes connection to or between locations where Dedicated SONET Broadband Transport (DSBT) multiplexing capability occurs as described in Section 8.2(B)(3) following.



ACCESS SERVICE

---

7. Special Access Service (Cont'd)7.4 Rate Regulations (Cont'd)7.4.7 Facility Hubs\*

A customer has the option of ordering Voice Grade facilities or analog or digital high capacity facilities (i.e., Group, Supergroup, Mastergroup, DS1, DS1C, DS2, DS3 or DS4) to a facility Hub for distributing or channelizing to individual services requiring lower capacity facilities (e.g., Telegraph, Voice, Program Audio, etc.), except for Video and Program Audio Services which are always ordered to a hub although they do not require multiplexing.

When analog or digital high capacity facilities are provided between a customer premises and a facility Hub, the facility will not be considered an end-to-end service until an associated channelized service is installed. The facility Hub will not be considered as a customer premises.

Different locations may be designated as Hubs for different facility capacities, e.g., multiplexing from digital to digital may occur at one location while multiplexing from digital to analog may occur at a different location. When ordering the customer will specify the desired multiplexing Hub(s) selected from the Exchange Carrier Association Tariff F.C.C. No. 4. This Tariff identifies the type(s) of multiplexing functions which are available and the serving wire centers at which they are available. Locations that provide multiplexing of Dedicated SONET Broadband Transport (DSBT) Services are described in Section 8.2(B)(3) following.

Some of the types of multiplexing available include the following:

- from higher to lower bit rate
- from higher to lower bandwidth
- from digital to voice frequency channels

End to end services may be provided on channels of these facilities to a Hub. The transmission performance for the end to end service provided between customer designated premises will be that of the lower capacity or bit rate. For example, when a 1.544 Mbps facility is multiplexed to voice frequency channels, the transmission performance of the channelized services will be Voice Grade, not High Capacity.

\* Includes connection to or between locations where Dedicated SONET Broadband Transport (DSBT) multiplexing capability occurs as described in Section 8.2(B)(3) following.

---

ACCESS SERVICE

---

7. Special Access Service (Cont'd)7.4 Rate Regulations (Cont'd)7.4.7 Facility Hubs\* (Cont'd)

The Telephone Company will commence billing the monthly rate for the facility to the Hub on the date specified by the customer on the service order. Additional individual services utilizing these facilities may be installed coincident with the installation of the facility to the Hub, or may be ordered and/or installed at a later date, at the option of the customer. The customer who orders the High Capacity Service must order all associated individual Access Channelized Services. The customer will be billed for a Voice Grade or a high capacity analog or digital Channel Termination, Channel Mileage (when applicable), and the multiplexer at the time the facility is installed. Additional individual service rates (by service type) will apply for a Channel Termination and for additional Channel Mileage (as required) for each subsequent channelized service. These will be billed to the customer as each individual service is installed.

Cascading multiplexing occurs when a high capacity analog or digital channel is de-multiplexed to provide channels with a lesser capacity and one of the lesser capacity channels is further de-multiplexed. For example, a Supergroup facility is de-multiplexed to five Group facilities and then one of the Group facilities is further de-multiplexed to individual Voice Grade channels.

When cascading multiplexing is performed whether in the same or a different Hub, a charge for the additional multiplexing unit also applies. When cascading multiplexing is performed at different Hubbing locations, Channel Mileage Charges also apply between the Hubs.

In the cascading multiplexing arrangements described above, specific NCI codes may be used in conjunction with the individual multiplexed services at the Hub in order to identify the technology hierarchy employed in the total service arrangement.

Although not requiring multiplexing, the Telephone Company will designate certain Hubs for Video and Program Audio Services. Full-time service will be provided between a customer designated premises and a Hub and billed accordingly at the monthly rates forth in 7.5.4 and 7.5.5 following for a Channel Termination, Optional Features and Functions, and Channel Mileage, as applicable. The customer may order part-time and occasional Video and Program Audio services as needed between that Hub and a second customer designated premises. The rate elements required to provide the part-time or occasional service (i.e., Channel Termination, Optional Features and Functions, and Channel Mileage, as applicable) will be billed at daily rates for the duration of the service requested.

\* Includes connection to or between locations where Dedicated SONET Broadband Transport (DSBT) multiplexing capability occurs as described in Section 8.2(B)(3) following.

ACCESS SERVICE

---

7. Special Access Service (Cont'd)7.4 Rate Regulations (Cont'd)7.4.8 Shared Use Analog and Digital High Capacity Services

(T)

Shared Use refers to a rate application applicable only when the customer orders High Capacity Special Access facilities between a customer designated premises and a Telephone Company hub where the Telephone Company performs multiplexing/de-multiplexing functions and the same customer then orders the derived channels as Special and Switched Access Services. If the customer has Switched Access Service between a customer designated premises and an end office that is multiplexed at a Telephone Company hub and subsequently orders the derived channels as Special and Switched Access Service, rates and charges will apply as if the service were ordered as shared use.

Shared use of Special Access Cross Connect and Expanded Interconnection service are not available.

Except as noted above, the High Capacity facility will be ordered, provided and rated as Special Access Service (i.e., Channel Termination, Channel Mileage, as appropriate, and Multiplexing Arrangement). The nonrecurring charge that applies when the shared use facility is installed will be the nonrecurring charge associated with the appropriate Special Access High Capacity Channel Termination. Rating as Special Access will continue until such time as the customer chooses to use a portion of the available capacity for Switched Access Service. Individual service (i.e., Switched or Special Access) nonrecurring charges will not apply to the individual channels of the shared use facility.

When Special Access Service is provided utilizing a channel of the shared use facility to a hub, High Capacity rates and charges will apply for the facility to the hub, as set forth preceding, and individual service rates and charges will apply from the hub to the customer designated premises. The rates and charges that will apply to the portion from the hub to the customer designated premises will be dependent on the specific type of Special Access Service that is provided. The applicable rates and charges will include a Channel Termination and Channel Mileage, if applicable. Rates and charges for optional features and functions associated with the service, if any, will apply for the appropriate channel type.

(T)

ACCESS SERVICE

---

7. Special Access Service (Cont'd)7.4 Rate Regulations (Cont'd)7.4.8 Shared Use Analog and Digital High Capacity Services (Cont'd)

As each individual channel is activated for Switched Access Service, the High Capacity Special Access Channel Termination, Channel Mileage, and Multiplexing rates will be reduced accordingly (e.g., 1/24th for a DS1 service, etc.). Switched Access Service rates and charges, as set forth following, will apply for each channel that is used to provide a Switched Access Service. Additionally, the Switched Access Service Entrance Facility, Direct Trunked Transport, and Multiplexing charges, if applicable, will be reduced by multiplying their respective rates by the ratio of derived Switched Access Service channels to the total number of Voice Grade channels that can be derived.

The customer must place an order for each individual Switched or Special Access Services utilizing the Shared Use Facilities and specify the channel assignment for each such service.

7.4.9 Reserved

(T)

(T)

---

ACCESS SERVICE

---

7. Special Access Service (Cont'd)7.4 Rate Regulations (Cont'd)7.4.10 Special Access Rate Exceptions

When providing the Special Access portion of an FX/ONAL service to connect a customer to the FX/ONAL dial tone office, for jointly provided corridor service, only the channel mileage rate element, a single channel termination and optional features and functions will apply. Regulations as specified in 2.4.6 apply in determining the percent of channel mileage applicable in the dial tone office LATA. In addition, and where appropriate, all other rate elements normally applicable to Special Access Service(s) as specified in this tariff may apply.

Services provided by the Telephone Company to connect a customer location to an Internet Protocol Routing Service Concentrator or Packet Data Network Switch will be rated as channel termination and, when the customer is normally served by a different serving office, channel mileage applies from the normal serving office to the concentrator or the switch serving office. No channel termination applies at the switch serving office.

Services provided by the Telephone Company to connect a customer location to an Interim Exchange Access Switched Multi-Megabit Data Service Switch (I-XASMDS) and a Interexchange Access Frame Relay Switch (XA-FRS) will be rated as a channel termination. A channel termination at the I-XASMDS and the XA-FRS switch serving office and channel mileage from the customer serving wire center to the I-XASMDS and XA-FRS switch are not applicable under the provisions of this service.

Certain terms and conditions and rates associated with the provision of Telephone Company services may be waived or excepted. These individual instances of terms and/or conditions exemptions are contained in Section 7.4, following.

7.4.11 WATS Access Line Service

A WATS Access Connection is only provisioned between a customer's premises and a WATS Serving Office (WSO) and there is only one application of the WATS Access Connection Charge. However, there can be additional secondary connections (USOC XEE), which are individual WACs and each will receive the same WAC Connection Charge. These WAC Secondary Connections must always be provisioned via C.O. Bridging.

---

ACCESS SERVICE

---

7. Special Access Service (Cont'd)

7.4 Rate Regulations (Cont'd)

7.4.12 Reserved

(C)

(D)

(D)

---

ACCESS SERVICE

---

7. Special Access Service (Cont'd)

7.4 Rate Regulations (Cont'd)

7.4.12 Reserved (Cont'd)

(C)

(D)

(D)

ACCESS SERVICE

7. Special Access Service (Cont'd)

7.4 Rate Regulations (Cont'd)

7.4.13 DS3 High Capacity Services

(A) Payment Plans and Minimum Periods

Recurring charges for DS3 Services are rated and charged monthly for all commitment plans; Month-to-Month, 3 and 5-year Term Pricing Plans (TPPs)#. TPPs are provided with Base Rates as described in Section (B) following and as set forth in 7.5.9 following. (T)

The minimum service period for DS3 is 12 months, except when a DS3 is ordered on a short term basis. Short-Term DS3 Service is described in paragraph (F) of this section, 7.4.13.

Additionally, the optional feature, DS3 to DS1 Central Office Multiplexing, is also available on a 3 or 5-year Term Pricing Plan. When ordered, a 3 or 5 year TPP for the DS3/DS1 multiplexing feature must have the same term period as the associated service, and it is always assigned an expiration date that is coterminous with the associated service.

At the end of a term plan, the customer will not be eligible to receive discounted monthly charges unless the TPP commitment is renewed. Customers with TPPs that have expired prior to December 2, 1999, will be able to retain their service at the prevailing rates for as long as the customer retains the service.

Should a customer terminate service prior to completing the minimum period or the plan term period, termination liability may be applicable. Termination liability is assessed on channel terminations, fixed and per mile mileage, and multiplexing rate elements. Liability for terminations at a primary premises is calculated based upon the rate band determined by the last count taken. A customer who downgrades a term plan to shorter duration, changes the system configuration (i.e., Optical to Electrical) or disconnects the service will be treated as having terminated the service.

In addition to TPP, a customer may select a Commitment Discount Plan (CDP), subject to the terms and conditions set forth in Section 25.1 following.

(B) Base Rates#

The rates charges under 3-Year and 5-year TPPs are based upon Base Rates as specified in Section 7.5.9 following. Such rates may change during the commitment period, but in no case will the Base Rate exceed the non-discounted monthly rate for the service. In order to calculate the rates the customer will pay, the following discount percentages are applied to the Base Rates Monthly Rate Per CT for 3-Year and 5-Year TPPs for DS3 High Capacity Channel Terminations, Channel Mileage, and Optional Features and Functions. Discount percentages are not applied to nonrecurring rates.

3-Year	10%
5-Year	35%

# Effective November 19, 2021, DS3 Term Pricing Plans (TPPs) are no longer permitted. DS3 TPPs in effect as of November 19, 2021 may continue the existing term but will not be eligible to extend, renew, reenroll in, convert to a new term period, or in any other way continue their existing plan beyond its current expiration. At expiration of a DS3 TPP, the service will convert to the Month to Month Rate. If at any time an existing customer terminates its DS3 TPP, the customer may not re-subscribe to the plan. (N)



ACCESS SERVICE

---

7. Special Access Service (Cont'd)7.4 Rate Regulations (Cont'd)7.4.13 DS3 High Capacity Services (Cont'd)(C) Discontinuance Without Liability

A customer may discontinue a term plan without penalty by entering the same system configuration into a new term plan of equal or greater length prior to the expiration of the plan.

A customer may discontinue a term plan without liability if the service is upgraded (changed to a higher bandwidth/capacity service or to a higher speed service) through aggregation of existing services or service additions, and agrees to a new term plan of equal or greater length. Any additional services or circuits added to make up the upgrade will be subject to all applicable nonrecurring charges.

Termination liability will not apply when a customer meets the requirements for "portability". Portability is the replacement of a service under a DS3 Term Pricing Plan (TPP)# with another service for the balance of the TPP commitment period. Portability requirements are as follows:

(T)

- The TPP service to be discontinued must have been in service for a minimum of 1 year.
- The replacement service must be of the same speed or type, and must not already be in a Term Pricing Plan.
- The orders to accomplish the replacement are placed with the Telephone Company at the same time with due dates within 90 days of each other, and are related by a Related Purchase Order Number.
- The quantities associated with the replacement are equal to or greater than the disconnected service.
- The replacement service is subject to any applicable nonrecurring charges.

# Service Offer is limited. See Footnote on page 7-221.

(N)

ACCESS SERVICE

---

7. Special Access Service (Cont'd)7.4 Rate Regulations (Cont'd)7.4.13 DS3 High Capacity Services (Cont'd)(C) Discontinuance Without Liability (Cont'd)

In the event that the Telephone Company initiates a rate increase and the total discounted monthly rate for the affected service increases by eight percent (8%) or more, the customer may cancel its TPP for the affected service without termination liability. The customer must exercise its option to cancel the TPP for the affected service within thirty (30) days of the date of the effective rate increase. Additionally, any existing TPP customer that experienced an increase in its total discounted monthly rate for a service between June 1, 1999 to January 11, 2000 may also exercise this option. The customer must notify the Telephone Company of its intent to exercise this option by February 10, 2000.

A customer may cancel a term plan on its DS3 High Capacity Services without penalty in order to include such DS3 High Capacity Services in a Commitment Discount Plan (as set forth in Section 25.1 following).

(D) Discontinuance With Liability

For service discontinued prior to completion of the minimum service period, the customer will be liable for 100% of the total monthly charges for the unexpired portion. Total monthly charges are calculated based upon the rate band determined in the last count taken.

DS3 Term Pricing Plans# are provided in conjunction with an Early Termination Provision (ETP) agreement. ETP is calculated using either of the following options that provides the customer with the lowest termination liability. (T)

Option I

- In addition to the minimum period liability of 100%, the customer will be liable for 15% of the total monthly charges for the remaining portion of the term plan.

# Service Offer is limited. See Footnote on page 7-221.

(N)

---

ACCESS SERVICE

---

7. Special Access Service (Cont'd)7.4 Rate Regulations (Cont'd)7.4.13 DS3 High Capacity Services (Cont'd)(D) Discontinuance With Liability (Cont'd)Option II

In addition to the minimum period liability of 100%, the following applies:

- Where there is neither a basic Month-to-Month rate nor a TPP period less than the actual time the service has been in effect, Option 1 applies.
- Where there is no TPP period less than the actual time the service has been in effect, the termination liability charge will be the difference between the full basic Month-to-Month rate and the selected TPP monthly rate for the period the plan has been in effect after the minimum period.
- Where there is a TPP period less than the actual time the service has been in effect, the termination liability charge will be the difference between the monthly rate for the highest TPP period that could have been satisfied prior to discontinuation of the service and the monthly rate for the selected commitment period multiplied by the actual number of months the plan has been in effect after the minimum period.

Notice of discontinuance must be given by the customer at least three months prior to actual discontinuance. Monthly charges will apply for a period of three months from the date the Telephone Company receives discontinuance notification or until the requested discontinuance date, whichever period is longer.

(E) Shared Use

DS3 service arrangements in shared use situations must have at least one channel of Special Access service to be billed as a Special Access facility.

---

ACCESS SERVICE

---

7. Special Access Service (Cont'd)7.4 Rate Regulations (Cont'd)7.4.13 DS3 High Capacity Service (Cont'd)(F) Short-Term DS3 Service

Short-Term DS3 is provided for customers who require a DS3 Service for a short duration of 30 days or less, such as for a convention, trade show, or demonstration.

In order to qualify as a Short Term DS3 Service, the connect and disconnect orders must be placed by the customer at the same time. And, the disconnect date must be no more than 30 calendar days after the connect date. One renewal of 30 days or less is available provided the request is received prior to the disconnect date of the initial period. Extensions of the disconnect date beyond this 60-day period will not be permitted.

Short-Term DS3 Service is provided where facilities permit and is subject to a full month's billing for each 30-day period regardless of time in service. In addition, special construction charges for nonreusable equipment or additional labor costs apply. A separate and distinct rate applies for the channel termination of a Short-Term DS3. Rates for Short-Term DS3 service are provided in Section 7.5.9(A)(1)(c).

---

ACCESS SERVICE

---

7. Special Access Service (Cont'd)7.4 Rate Regulations (Cont'd)7.4.14 Shared Network Arrangement

Each customer entering into a Shared Network Arrangement is solely responsible to the Telephone Company for charges associated with that customer's portion of the shared network. Disconnection of service by the host subscriber does not relieve another user of the network of any obligation to pay access charges associated with the portion of the shared network to which that user subscribes. Billing for services and facilities will continue until a disconnect request from the service user has been received by the Telephone Company. The host subscriber is solely responsible for notifying the connecting service user in the event of disconnection of the host service which affects that portion of the shared network service to which the user has subscribed.

For administrative purposes, one "Arrangement" under the Shared Network Arrangement offering shall be limited to the agreement between one Host Subscriber and one Service User permitting the Service User to connect a specified number of subtending circuits to one specified multiplexer on the Host's service. Agreements between one Host Subscriber and two (or three, etc.) Service Users shall be deemed to comprise two (or three, etc. respectively) separate "Arrangements." However, an agreement to expand the scope of an existing Arrangement by subsequently increasing the number of subtending circuits on the same multiplexed shall not constitute a new or separate "Arrangement."

A Shared Network Arrangement shall be established between a Host Subscriber and a Service User upon the completion of the service order for the first circuit(s) in the arrangement. No Shared Network Arrangement shall be deemed to be in effect until at least one subtending circuit has been installed for the Service User. A Shared Network Arrangement shall be deemed cancelled when the last subtending circuit has been disconnected.

A Processing Charge does not apply for Service User Integrated Optical Service Rider order(s) processed for a Shared Billing Arrangement. A Processing charge will apply for handling all other service orders in a Shared Network Arrangement. The Processing Charge is contained in Section 7.5.9(C), and applies in addition to all other applicable rates and charges.

---

ACCESS SERVICE

---

7. Special Access Service (Cont'd)7.4 Rate Regulations (Cont'd)7.4.15 Lightwave Facilities

## (A) Service Period

Lightwave Facilities are offered only on a month-to-month basis with a one year minimum service period. A customer who moves their facility to another premises, changes from a 4 fiber service to a 12 fiber service or the reverse, or changes the facility to a service (i.e., Lightwave Facilities to a high capacity DS3 service) will be treated as having terminated as having terminated the facility.

For service discontinued prior to the end of the one year service period, the customer will be liable for 100% of the total monthly charges at the then-prevailing rate for the unexpired portion of the minimum service period.

Notice of discontinuance must be given by the customer at least thirty days prior to actual discontinuance. Monthly charges will apply for a period of thirty days from the date the Telephone Company receives discontinuance notification or until the requested discontinuance date, whichever period is longer.

## (B) Discontinuance Without Liability

All Lightwave Facilities termination charges shall be waived and no charges or penalties shall apply if the Lightwave Facilities offering is withdrawn from the tariff by the Telephone Company.

## (C) Rate Categories

There are only two basic rate categories which will apply to Lightwave Facilities: 1) a nonrecurring installation charge applied per point of termination and 2) a Per Mile-Channel Mileage charge which is based on actual facility route miles, or fraction thereof, and is measured from premises to premises. Calculations resulting in a fraction of a mile will be rounded up to a whole number. These rates are as shown in 7.5.10, following. Actual provisioning of end-to-end Lightwave Facilities may differ from the description of rate categories as stated in Section 7.1.2, preceding.

---

ACCESS SERVICE

---

7. Special Access Service (Cont'd)7.4 Rate Regulations (Cont'd)7.4.15 Lightwave Facilities (Cont'd)

## (D) Rate Application

Lightwave Facilities are only provisioned in point-to-point configurations which connect two customer designated premises.

## (E) Facilities Conversion

ICB dark fiber facilities which are converted to Lightwave Facilities will not be re-engineered or modified in any way. Currently existing multimode ICB dark fiber facilities will be left in-place and not replaced. Existing multimode facilities which remain in service after the expiration of their associated ICB will be rated at the general Lightwave Facilities rates and will be subject to the same terms and conditions.

Currently existing dark fiber offerings which are converted will be charged based upon the number of fibers involved; e.g., existing customers having three (3) fibers or less will be rated at the four strand fiber rates. New orders for Lightwave Facilities will be permitted in quantities of four and twelve fiber arrangements, or multiples thereof, only.

ACCESS SERVICE

---

7. Special Access Service (Cont'd)7.4 Rate Regulations (Cont'd)7.4.16 Video Service Arrangements# (T)

## (A) Minimum Service Period

Multichannel Video Service and Advanced Video Switching provisioned as a dedicated switching arrangement are only offered on a long term basis, 5 and 10-year term plans and a 10-year rate stability plans (RSP). **Effective April 20, 2002, the 10-year RSP for the Video Switch is not available to new customers**. The 10-year rate stability plan guarantees that rates will not increase during the plan period but may decrease. The minimum service period is one year for all service periods and all are subject to termination liability.

At the expiration of an existing term or payment plan, customers will be automatically converted to a new one year minimum service period at the then prevailing rate unless the customer gives written notice within 90 days of the expiration of the existing plan period to the telephone company of its intention to terminate service. After the expiration of an existing service period, contracts can only be renewed for minimum one year term period.

Advanced Video Switching provisioned through a shared switching arrangement is offered on a month-to-month basis or under 1-year, 3-year, and 5-year term plans. The minimum service period for month-to-month service is one month. The minimum service period for term plans is one year and service provided under a term plans is subject to termination liability.

## (B) Terms and Conditions

For a Multichannel Video Service, the customer must specify the number of channels per service arrangement. Premises to premises arrangements are available in 3 to 8 channel arrangements; premise to Hub arrangements are available in 4 to 8 channel arrangements.

A customer must maintain the minimum number of channels per Multichannel Video Service arrangement or disconnect the service. Additional channels may be added or deleted during the life of the contract subject only to a one year minimum service guarantee for that particular channel (see termination liability following). All channels associated with a given arrangement are in the same term plan.

A change from Basic Video Service to Multichannel Video Service or vice versa requires a complete disconnect and a new service order for installation.

A move of any video service to another video hub/TVOC will be treated as a disconnect and new service orders.

# Effective November 21, 2017, new subscriptions to Video Service Arrangements are no longer permitted. Video Service Arrangements customers subscribed as of November 21, 2017 may continue with their existing subscriptions. If at any time an existing customer terminates its Video Service Arrangements, the customer may not re-subscribe to the plan.

---

Issued: November 6, 2017

Effective: November 21, 2017

(This page filed under Transmittal No. 78)  
Vice President, Government and Regulatory Affairs  
180 S. Clinton Ave., Rochester, NY 14646



ACCESS SERVICE

---

7. Special Access Service (Cont'd)7.4 Rate Regulations (Cont'd)7.4.16 Video Service Arrangements# (Cont'd) (T)

## (C) Termination Liability

Term and rate stability plans for Multichannel Video and Advanced Video Switching are subject to termination liability for early discontinuance.

With the exception of Advanced Video Switching provisioned through a shared switching arrangement on a month-to-month basis, notice of discontinuance must be given by the customer at least three months prior to actual discontinuance. Monthly charges will apply for a period of three months from the date the Telephone Company receives discontinuance notification or until the requested discontinuance date, whichever period is longer.

## (1) Five and Ten-year Term Plans

For contracts discontinued prior to the first year of the initial five or ten year period, the customer will be liable for 100% of the total monthly charges at the then-prevailing rate for the unexpired portion of the first year. In addition the customer will be responsible for 15% of the total monthly charges for the remaining portion of the 5-year period, or 10% of the total monthly charges for the remaining portion of the 10-year period.

For contracts discontinued beyond the first year of the initial contract period, the 5 year plan customer will be liable for 15% and the 10 year plan customer will be liable for 10% of the total monthly charges for the remaining portion of the initial period or of the one-year renewal period as is applicable.

## (2) 10-Year Rate Stability

For the Video Switch 10-year RSP Plans, the maximum termination liability is \$30,000.00 and is reduced by 1/120th for each month the service has been in effect.

For the 10-year RSP Multichannel Video Service Arrangement, the maximum termination liability for each initial arrangement is \$15,000.00 and is reduced by 1/120th for each month this service has been in effect. Additionally, channel terminations subsequently added to the initial arrangement and disconnected prior to the one-year minimum service period are subject to termination liability of 100 percent for the remainder of the minimum period.

# Service Availability is limited. Refer to # footnote on page 7-229. (N)

ACCESS SERVICE

---

7. Special Access Service (Cont'd)7.4 Rate Regulations (Cont'd)7.4.16 Video Service Arrangements# (Cont'd) (T)

## (D) Discontinuance Without Termination Liability

A customer may discontinue a 5 or 10-year term plan for a Multichannel Video Service and/or Advanced Video Switching without termination liability should the applicable tariff rates increase more than 8% in any year and the customer provides notice of discontinuance within thirty (30) days after the effective rate increase.

A change to a new Video Service term plan of equal or greater value in revenue than the remainder of the present Multichannel Video term plan will not be subject to termination liability.

Customers who upgrade to a larger Video Switch Arrangement will not be subject to termination liability. However, the upgrade is subject to all applicable nonrecurring charges, and a new service period.

Advanced Video Switching customers who change from a shared switching arrangement to a dedicated switching arrangement will not be subject to termination liability. However, the change is subject to all applicable nonrecurring charges, and a new service period.

Advanced Video Switching customers may at any time prior to the expiration of a 5-year term plan, change to a longer-term plan without termination liability. Time in-service credit for the old/cancelled plan is applied to the new extended plan. The rate for the new longer commitment period applies effective with the first bill date following extension of the commitment period and continue through the remainder of the commitment period of the new term plan. No adjustment for the increased discount associated with the extended plan will be made to the monthly rates already billed on the old/cancelled plan.

# Service Availability is limited. Refer to # footnote on page 7-229. (N)

ACCESS SERVICE

---

7. Special Access Service (Cont'd)7.4 Rate Regulations (Cont'd)7.4.17 Digital Data and DS1 High Capacity Services(A) Basic Service

The minimum service period for basic Digital Data Service (DDS) and DS1 High Capacity Service (DS1) is two months. When service is disconnected prior to the expiration of the minimum period, charges are applicable for the balance of the two-month minimum period.

Customers may, at any time, change their basic service payment option to a Term Payment Plan without assessment of the minimum period service charge.

(B) Term Pricing Plans (TPP) Description#

(T)

Term Pricing Plans are pricing options available to customers who subscribe to specific longer term commitment periods in exchange for reduced monthly rates.

(1) TPPs for Digital Data Services are available in 2, 3, and 5-year commitment periods. DS1 High Capacity Services are available in 2, 3, 5, and 7-year commitment periods.

(2) Customers ordering TPP on or after September 10, 2013 must order all applicable rate elements from the same pricing plan. Customers ordering TPPs prior to September 10, 2013 have the option of purchasing channel terminations under one plan and channel mileage under another plan, or under the basic service plan. TPPs are available subject to the following:

- Digital Data Service plans are applicable to channel terminations and channel mileage. The fixed and per mile rate elements for a given circuit must be included in the same individual Term Pricing Plan.
- Multiple Digital Data Services must be of the same speed in order to be in the same individual Term Pricing Plan.
- DS1 High Capacity Service plans are applicable to channel terminations, associated DS1 Multiplexers (DS1 to Voice, DS1 to Digital, and DS1 to DS0), and channel mileage, fixed and per mile. The fixed and per mile rate elements for a given circuit must be included in the same TPP; the channel termination and associated multiplexer must also be included in the same plan.

# Effective November 19, 2021, Term Pricing Plans (TPPs) are no longer permitted. TPPs in effect as of November 19, 2021 may continue the existing term but will not be eligible to extend, renew, reenroll in, convert to a new term period, or in any other way continue their existing plan beyond its current expiration. At expiration of a TPP, the service will convert to the Month to Month Rate. If at any time an existing customer terminates its TPP, the customer may not re-subscribe to the plan.

(N)

(N)

Certain material previously appearing on this page currently appears on Original Page 7-232.1.

ACCESS SERVICE

---

7. Special Access Service (Cont'd)

7.4 Rate Regulations (Cont'd)

7.4.17 Digital Data and DS1 High Capacity Services

(B) Term Pricing Plans (TPP) Description# (Cont'd)

(T)

- (3) Rates for Term Pricing Plans are detailed in Section 7.5.16. Term Pricing Plans do not include optional features except for associated DS1 multiplexing in the DS1 TPPs. Other optional features are available at Basic Service rates.

Term Pricing Plans are not applicable to services in other rate plans, nor are Federal Telecommunications Access Services eligible for TPPs.

# Service Offer is limited. See Footnote on page 7-232.

(N)

(M) Certain material on this page previously appeared on Original Page 7-232.

ACCESS SERVICE

---

7. Special Access Service (Cont'd)7.4 Rate Regulations (Cont'd)7.4.17 Digital Data and DS1 High Capacity Services (Cont'd)(C) TPP Terms and Conditions#

(T)

- (1) When requesting a Term Pricing Plan, the customer must specify the length of the desired commitment period and the services which are to be included in the plan.
- (2) When requesting any Term Pricing Plan activity regarding channel terminations, the customer must specify by billing account and circuit identification number which circuits are to be affected.
- (3) When ordering Term Pricing Plan services prior to September 10, 2013, related rate elements must be ordered under the same plan. For example, both channel terminations and any DS1 associated multiplexing for a given circuit must be in the same plan and have the same service date. Similarly, both rate elements for channel mileage, fixed and per mile, must be in the same plan and have the same service date. For orders received on or after September 10, 2013, all applicable rate elements for a given circuit must be ordered under the same plan.
- (4) At the end of a TPP commitment period, the service(s) will be billed at the basic rate unless the customer subscribes to a new TPP.
- (5) Termination liability is assessed on channel terminations, fixed and per mile mileage, and multiplexing rate elements.
- (6) In the event that the Telephone Company initiates a rate increase and the total discounted monthly rate for the affected service increases by eight percent (8%) or more, the customer may cancel its TPP for the affected service without termination liability. The customer must exercise its option to cancel the TPP for the affected service within thirty (30) days of the date of the effective rate increase.

# Service Offer is limited. See Footnote on page 7-232.

(N)

---

Issued: November 4, 2021

Effective: November 19, 2021

(This page filed under Transmittal No. 111)  
Vice President, Government and Regulatory Affairs  
180 S. Clinton Ave., Rochester, NY 14646

ACCESS SERVICE

---

7. Special Access Service (Cont'd)7.4 Rate Regulations (Cont'd)7.4.17 Digital Data and DS1 High Capacity Services (Cont'd)(D) TPP Termination Liability#

(T)

- (1) A termination liability payment is applicable when a service is disconnected in full or in part prior to the end of the selected commitment period or where the customer fails to comply with the conditions required for a TPP, except as set forth in (E) following.
- (2) If the customer requests all channels of a DS1 service to be used for Switched Access, the request will be treated as a disconnect and termination liability will be assessed.
- (3) The termination liability payment applies to each channel termination, fixed and per-mile mileage, and multiplexing recurring rate element which is disconnected prior to the expiration of the commitment period of the Term Pricing Plan.
- (4) The termination liability charge is calculated as set forth in (a) or (b) following: when calculating termination liability charges, the Telephone Company will apply the option which provides the customer with the lowest termination liability charge.

(a) Option I

For services discontinued within the first year, the customer will be liable for 100% of the total monthly charges for the unexpired portion of the initial 12 months, and 15% of the total monthly charges for the remainder of the TPP commitment period.

For services discontinued after the first 12 months of a plan, customers will be liable for 15% of the total monthly charges for the remaining portion of their Term Pricing Plan commitment period.

# Service Offer is limited. See Footnote on page 7-232.

(N)

ACCESS SERVICE

---

7. Special Access Service (Cont'd)7.4 Rate Regulations (Cont'd)7.4.17 Digital Data and DS1 High Capacity Services (Cont'd)(D) TPP Termination Liability# (Cont'd) (T)

## (4) (Cont'd)

(b) Option II

For services discontinued within the first year and prior to the end of the selected commitment period, the termination liability charge will be the difference between the full Basic monthly rates and the TPP monthly rates for the period the plan has been in effect.

For services discontinued after the first 12 months of a plan but prior to the end of the selected commitment period, the following applies:

- Where there is no TPP period less than the actual time the services have been in effect the termination liability charge will be the difference between the full Basic monthly rates and the selected TPP monthly rates for the period the plan has been in effect.
- Where there is a TPP period less than the actual time the services have been in effect, the termination liability charge will be the difference between the monthly rates for the highest TPP period that could have been satisfied prior to discontinuation of the service and the monthly rates for the selected commitment period multiplied by the actual number of months the plan has been in effect.

For example, if a customer subscribes to a 5-year TPP and disconnects service during the thirty-seventh month, the highest TPP period that could have been satisfied is three years. The customer's termination liability would be calculated as follows: (3-year monthly TPP rate - 5-year monthly TPP X 37 months).

# Service Offer is limited. See Footnote on page 7-232.

(N)

ACCESS SERVICE

---

7. Special Access Service (Cont'd)7.4 Rate Regulations (Cont'd)7.4.17 Digital Data and DS1 High Capacity Services (Cont'd)(E) TPP Termination Without Liability#

(T)

- (1) Termination liability will not apply when cancellation of a Term Plan occurs within thirty (30) days of the effective date of a Telephone Company initiated rate increase of eight percent (8%) or more on any rate applicable to the Term Plan. Additionally, any existing TPP customer that experienced an increase in its total discounted monthly rate for a service between June 1, 1999 to January 11, 2000 may also exercise this option. The customer must notify the Telephone Company of its intent to exercise this option by February 10, 2000.
- (2) A request to change to a longer commitment period will nullify the current termination liability. All terms and conditions associated with the new TPP will apply.
- (3) Termination liability is not applicable if the customer requests to upgrade service to a higher capacity (e.g., DDS to DS1, DS1 to DS3) or a higher speed (2.4 kbps to 4.8 kbps) service and meets all of the following conditions:
  - The new service is purchased under a long-term agreement equal to or greater than the commitment period of the service being disconnected.
  - The orders for the disconnect of the existing TPP rate elements and the new connect are received by the Telephone Company at the same time, with due dates within 90 days of each other, and are related together by a Related Purchase Order Number (RPON).
  - The total bandwidth (in kbps) of the service is greater than or equal to the bandwidth of the discontinued service(s).

# Service Offer is limited. See Footnote on page 7-232.

(N)



ACCESS SERVICE

---

7. Special Access Service (Cont'd)7.4 Rate Regulations (Cont'd)7.4.17 Digital Data and DS1 High Capacity Services (Cont'd)(E) TPP Termination Without Liability# (Cont'd) (T)

(4) Termination liability will not apply when a customer meets the requirements for "portability". Portability is the replacement of a service under a TPP with another service for the balance of the TPP commitment period. Portability requirements are as follows:

- The replacement service must be of the same speed or type, and must not already be in a Term Pricing Plan.
- The orders to accomplish the replacement are placed with the Telephone Company at the same time with due dates within 90 days of each other, and are related by a Related Purchase Order Number.
- The quantities associated with the replacement are equal to or greater than the disconnected service.

(5) A customer may cancel a term plan on its DS1 High Capacity Services without penalty in order to include such DS1 High Capacity Services in a Commitment Discount Plan (as set forth in Section 25.1 following).

(F) Additions to TPPs# (T)

Customers with existing Term Pricing Plans who wish to increase the number of their DDS or DS1 services have the following options:

- Subscribe to the additional services under the basic payment plan.
- Subscribe to the additional services under a separate Term Pricing Plan.

# Service Offer is limited. See Footnote on page 7-232. (N)

---

ACCESS SERVICE

---

7. Special Access Service (Cont'd)

7.4 Rate Regulations (Cont'd)

7.4.17 Digital Data and DS1 High Capacity Services (Cont'd)

(D)

(D)

ACCESS SERVICE

---

7. Special Access Service (Cont'd)

7.4 Rate Regulations (Cont'd)

7.4.17 Digital Data and DS1 High Capacity Services (Cont'd)

(D)

(D)

---

ACCESS SERVICE

---

7. Special Access Service (Cont'd)

7.4 Rate Regulations (Cont'd)

7.4.17 Digital Data and DS1 High Capacity Services (Cont'd)

(D)

(D)

ACCESS SERVICE

---

7. Special Access Service (Cont'd)

7.4 Rate Regulations (Cont'd)

7.4.17 Digital Data and DS1 High Capacity Services (Cont'd)

(D)

(D)

ACCESS SERVICE

---

7. Special Access Service (Cont'd)7.4 Rate Regulations (Cont'd)7.4.18 Voice Grade Service Term Pricing Plans#

(T)

(A) Description

Term Pricing Plans, TPPs, are pricing options available to customers who subscribe to specific longer term commitment periods in exchange for reduced monthly rates.

- (1) TPPs for Voice Grade Services are available in 3 and 5-year commitment periods.
- (2) The channel termination and the channel mileage (fixed and per-mile) rate elements are applicable for Voice Grade Service TPPs.
- (3) A customer may purchase channel terminations under one term plan and channel mileage under another plan.
- (4) Customers have the option of designating the channel terminations, channel mileage (fixed and per-mile), or both on a circuit-by-circuit basis.
- (5) Voice Grade Term Pricing Plans do not include optional features. Optional features for Voice Grade Services in TPPs are available at basic service rates.
- (6) Term Pricing Plans are not applicable to services in other rate plans, nor are Federal Telecommunications Access Services eligible for TPPs.
- (7) Rates for Term Pricing Plans are detailed in Section 7.5.3. The nonrecurring rates for TPPs are the same as for Basic Service.

# Effective November 19, 2021, Term Pricing Plans (TPPs) are no longer permitted. TPPs in effect as of November 19, 2021 may continue the existing term but will not be eligible to extend, renew, reenroll in, convert to a new term period, or in any other way continue their existing plan beyond its current expiration. At expiration of a TPP, the service will convert to the Month to Month Rate. If at any time an existing customer terminates its TPP, the customer may not re-subscribe to the plan.

(N)  
|  
(N)

Issued: November 4, 2021

Effective: November 19, 2021

(This page filed under Transmittal No. 111)  
 Vice President, Government and Regulatory Affairs  
 180 S. Clinton Ave., Rochester, NY 14646

## ACCESS SERVICE

7. Special Access Service (Cont'd)7.4 Rate Regulations (Cont'd)7.4.18 Voice Grade Service Term Pricing Plans# (Cont'd)

(T)

(B) Terms and Conditions

- (1) When requesting a Term Pricing Plan, the customer must specify the length of the desired commitment period and the services which are to be included in the plan.
- (2) When requesting any Term Pricing Plan activity regarding channel terminations, the customer must specify by billing account and circuit identification number which circuits are to be affected.
- (3) When ordering Term Pricing Plan services, related rate elements must be ordered under the same plan. For example, both rate elements for channel mileage, fixed and per-mile, must be in the same plan and have the same service date.
- (4) Customers with existing TPPs who wish to increase the number of their Voice Grade services must either subscribe the additional services to new and separate TPPs or to the basic service plan.
- (5) At the end of a TPP commitment period, the service(s) will be billed at the basic rate unless the customer subscribes to a new TPP.

(C) TPP Termination Liability

- (1) A termination liability payment is applicable when a service is disconnected in full or in part prior to the end of the selected commitment period or when the customer fails to comply with the conditions required for a TPP, except as set forth in (D) following.
- (2) For TPP services designated on a circuit-by-circuit basis, the termination liability payment applies to each channel termination and fixed and per-mile recurring rate element which is disconnected prior to the expiration of the commitment period of the Term Pricing Plan.
- (3) The termination liability charge is calculated as set forth in (a) or (b) following. The Telephone Company will apply the option which provides the customer with the lowest termination liability charge.

# Service Offer is limited. See Footnote on page 7-242.

(N)

ACCESS SERVICE

---

7. Special Access Service (Cont'd)7.4 Rate Regulations (Cont'd)7.4.18 Voice Grade Service Term Pricing Plans# (Cont'd) (T)(C) TPP Termination Liability (Cont'd)

## (3) (Cont'd)

(a) Option I

For services discontinued within the first year, the customer will be liable for 100% of the total monthly charges for the unexpired portion of the initial 12 months, and 15% of the total monthly charges for the remainder of the TPP commitment period.

For services discontinued after the first 12 months of a plan, customers will be liable for 15% of the total monthly charges for the remaining portion of their Term Pricing Plan commitment period.

(b) Option II

For services discontinued within the first year, the termination liability charge will be the difference between the full Basic monthly rates and the TPP monthly rates for the period the plan has been in effect.

For services discontinued after the first 12 months of a plan but prior to the end of the selected commitment period, the following applies:

- Where there is no TPP period less than the actual time the services have been in effect the termination liability charge will be the difference between the full Basic monthly rates and the selected TPP monthly rates for the period the plan has been in effect.
- Where there is a TPP period less than the actual time the services have been in effect, the termination liability charge will be the difference between the monthly rates for the highest TPP period that could have been satisfied prior to discontinuation of the service and the monthly rates for the selected commitment period multiplied by the actual number of months the plan has been in effect.

For example, if a customer subscribes to a 5-year TPP and disconnects service during the thirty-seventh month, the highest TPP period that could have been satisfied is three years. The termination liability would be calculated as follows: 3-year monthly TPP rate - 5-year monthly TPP rate X 37 months.

# Service Offer is limited. See Footnote on page 7-242.

(N)

Issued: November 4, 2021

Effective: November 19, 2021

(This page filed under Transmittal No. 111)  
Vice President, Government and Regulatory Affairs  
180 S. Clinton Ave., Rochester, NY 14646



ACCESS SERVICE

---

7. Special Access Service (Cont'd)7.4 Rate Regulations (Cont'd)7.4.18 Voice Grade Service Term Pricing Plans# (Cont'd)

(T)

(D) TPP Termination Without Liability

- (1) Termination liability will not apply when cancellation of a Term Plan occurs within thirty (30) days of the effective date of a Telephone Company initiated rate increase of eight percent (8%) or more on any rate applicable to the Term Plan. Additionally, any existing TPP customer that experienced an increase in its total discounted monthly rate for a service between June 1, 1999 to January 11, 2000 may also exercise this option. The customer must notify the Telephone Company of its intent to exercise this option by February 10, 2000.
- (2) Termination liability is not applicable if the service is converted to a term plan of equal or greater value in revenue than the remainder of the present plan and meets the following condition:
 

The orders for the disconnect of the existing TPP and the installation of the new TPP are received by the Telephone Company at the same time, with due dates within 90 days of each other, and are related together by a Related Purchase Order Number, RPON.
- (3) Termination liability will not apply when a customer meets the requirements for "portability". Portability is the replacement of a service under a TPP with another service for the balance of the TPP commitment period. Portability requirements are as follows:
  - The replacement Voice Grade service cannot already be in a Term Pricing Plan.
  - The orders to accomplish the replacement are placed with the Telephone Company at the same time with due dates within 90 days of each other, and are related by a RPON.
  - The quantities associated with the replacement are equal to or greater than the disconnected service.

# Service Offer is limited. See Footnote on page 7-242.

(N)

---

ACCESS SERVICE

---

7. Special Access Service (Cont'd)

7.4 Rate Regulations (Cont'd)

7.4.19 Commitment Discount Plans

- (A) At the option of the customer, DSEF, DS3 High Capacity/44.736 Mbps Service and DS1 High Capacity/1.544 Mbps Service, Digital Data Service, and Voice Grade Service may be provided under a Commitment Discount Plan as specified in Section 25.1 following.
- (B) When a newly installed service is added to a Commitment Discount Plan, the channel termination nonrecurring charge also applies. (C)
- (C) If a customer establishes a Commitment Discount Plan (CDP) for at least one (1) service type listed in Section 25.1.1 following and subscribes to other services listed in Section 25.1.1 following at any time that a CDP is in effect, the customer may not establish or maintain a term plan for any services that are eligible for inclusion in CDP with the limited exception of DSEF services as set forth in Section 25.1 following.

ACCESS SERVICE

---

7. Special Access Service (Cont'd)

7.5 Rates and Charges (Cont'd)

7.5.1 Metallic Service

(A) Channel Termination	<u>Monthly Rates</u>	
- Per point of termination		
Price Cap		\$22.30
- Per point of termination	<u>Nonrecurring Charges</u>	
Installation/Change	<u>First</u>	<u>Additional</u>
Price Cap	\$200.00	\$150.00
Rearrangement		
Grandfathered Market	160.00	100.00

(D)

(D)

ACCESS SERVICE

7. Special Access Service (Cont'd)

7.5 Rates and Charges (Cont'd)

7.5.2 Telegraph Grade Service

(A) Channel Termination		<u>Monthly Rates</u>	
-Per point of termination			
Two-Wire, Price Cap		\$31.72	(D)
			(D)
			(D)
Four-Wire, Price Cap		49.57	(D)
			(D)
			(D)
			(D)
		<u>Nonrecurring Charges</u>	
-Per point of termination		<u>First</u>	<u>Additional</u>
Two-Wire			
Installation/Change			
Price Cap	\$200.00		\$150.00
			(D)
			(D)
Rearrangement			(D)
			(D)
			(D)
Grandfathered Market	500.00		300.00
Four-Wire			
Installation/Change*			
Price Cap	\$200.00		\$150.00
			(D)
			(D)
			(D)
Rearrangement			(D)
			(D)
			(D)
Grandfathered Market	500.00		300.00

ACCESS SERVICE

---

- 7. Special Access Service (Cont'd)
  - 7.5 Rates and Charges (Cont'd)
    - 7.5.2 Telegraph Grade Service (Cont'd)

(D)

(D)

ACCESS SERVICE

7. Special Access Service (Cont'd)

7.5 Rates and Charges (Cont'd)

7.5.3 Voice Grade Service

(A) Channel Termination - per point of termination	<u>Monthly Rates</u>	
(1) Payment Plan		
- Two-Wire		
Basic (month-to-month)		
Price Cap	\$24.68	
3-Year TPP#		
Price Cap	18.87	(T)
5-Year TPP#		
Price Cap	17.34	(T)
- Four-Wire		
Basic		
Price Cap	48.79	
3-Year TPP#		
Price Cap	38.61	(T)
5-Year TPP#		
Price Cap	36.58	(T)

# Effective November 19, 2021, Term Pricing Plans (TPPs) are no longer permitted. TPPs in effect as of November 19, 2021 may continue the existing term but will not be eligible to extend, renew, reenroll in, convert to a new term period, or in any other way continue their existing plan beyond its current expiration. At expiration of a TPP, the service will convert to the Month to Month Rate. If at any time an existing customer terminates its TPP, the customer may not re-subscribe to the plan. (N)

Issued: November 4, 2021

Effective: November 19, 2021

(This page filed under Transmittal No. 111)  
 Vice President, Government and Regulatory Affairs  
 180 S. Clinton Ave., Rochester, NY 14646

ACCESS SERVICE

7. Special Access Service (Cont'd)

7.5 Rates and Charges (Cont'd)

7.5.3 Voice Grade Service (Cont'd)

(A) Channel Termination (Cont'd)  
 - per point of termination

(2) Nonrecurring Charges

	<u>First</u>	<u>Additional</u>
- Two-Wire Installation/Change Price Cap	\$266.72	\$195.50
Grandfathered Market Rearrangement	1.00	0.75
Grandfathered Market	0.90	0.60
- Four-Wire Installation/Change Price Cap	\$379.77	\$272.96
Grandfathered Market Rearrangement	1.00	0.75
Grandfathered Market	0.90	0.60

(D)

(D)

ACCESS SERVICE

---

7. Special Access Service (Cont'd)

7.5 Rates and Charges (Cont'd)

7.5.3 Voice Grade Service (Cont'd)

(C) Optional Features and Functions

(D)

(D)



ACCESS SERVICE

---

7. Special Access Service (Cont'd)

7.5 Rates and Charges (Cont'd)

7.5.3 Voice Grade Service (Cont'd)

(C) Optional Features and Functions

(D)

(D)

ACCESS SERVICE

---

7. Special Access Service (Cont'd)

7.5 Rates and Charges (Cont'd)

7.5.3 Voice Grade Service (Cont'd)

(C) Optional Features and Functions

(D)

(D)

ACCESS SERVICE

---

7. Special Access Service (Cont'd)

7.5 Rates and Charges (Cont'd)

7.5.3 Voice Grade Service (Cont'd)

(C) Optional Features and Functions

(D)

(D)

ACCESS SERVICE

---

7. Special Access Service (Cont'd)

7.5 Rates and Charges (Cont'd)

7.5.3 Voice Grade Service (Cont'd)

(C) Optional Features and Functions

(D)

(D)

ACCESS SERVICE

---

7. Special Access Service (Cont'd)

7.5 Rates and Charges (Cont'd)

7.5.3 Voice Grade Service (Cont'd)

(C) Optional Features and Functions

(D)

(D)

ACCESS SERVICE

---

7. Special Access Service (Cont'd)

7.5 Rates and Charges (Cont'd)

7.5.3 Voice Grade Service (Cont'd)

(C) Optional Features and Functions

(D)

(D)

ACCESS SERVICE

---

7. Special Access Service (Cont'd)

7.5 Rates and Charges (Cont'd)

7.5.3 Voice Grade Service (Cont'd)

(C) Optional Features and Functions

(D)

(D)

ACCESS SERVICE

7. Special Access Service (Cont'd)

7.5 Rates and Charges (Cont'd)

7.5.3.1 WATS Access Line Service

		<u>Monthly Rates</u>	
(A)	WATS Access Connection (WAC)		
	-Per point of termination		
	Two-Wire		
	Price Cap	\$ 31.45	(D)
			(D)
			(D)
	Four-Wire		
	Price Cap	\$ 62.88	(D)
			(D)
			(D)
			(D)
	<u>Nonrecurring Charges</u>		
	-Per point of termination	<u>First</u>	<u>Additional</u>
	-Two-Wire		
	Installation/Charge		
	Price Cap	\$266.72	\$195.50
			(D)
			(D)
	Grandfathered Market	1.00	0.75
			(D)
	Rearrangement		(D)
			(D)
	Grandfathered Market	0.90	0.60
			(Z)
	-Four-Wire		
	Installation/Change		
	Price Cap	\$379.77	\$272.96
			(D)
			(D)
	Grandfathered Market	1.00	0.75
			(D)
	Rearrangement		(D)
			(D)
	Grandfathered Market	0.90	0.60
			(D)



---

ACCESS SERVICE

---

7. Special Access Service (Cont'd)

7.5 Rates and Charges (Cont'd)

7.5.3.1 WATS Access Line Service

(D)

(D)

ACCESS SERVICE

7. Special Access Service (Cont'd)

7.5 Rates and Charges (Cont'd)

7.5.4 Program Audio Service

(A) Channel Termination  
 - Per point of termination

	<u>Monthly Rates</u>	<u>Daily Rates</u>	<u>Nonrecurring Charges First</u>	<u>Charges Additional</u>
200 to 3500 Hz Price Cap	\$40.36	\$4.25	\$657.00	\$657.00
100 to 5000 Hz Price Cap	53.80	5.66	958.13	958.13
50 to 8000 Hz Price Cap	65.12	7.08	985.50	985.50
50 to 15000 Hz Price Cap	134.51	14.16	1012.88	1012.88

(D)

(D)

ACCESS SERVICE

---

7. Special Access Service (Cont'd)

7.5 Rates and Charges (Cont'd)

7.5.4 Program Audio Service (Cont'd)

(C) Optional Features and Functions

(D)

(D)

ACCESS SERVICE

7. Special Access Service (Cont'd)

7.5 Rates and Charges (Cont'd)

7.5.5 Video Service

(A) Channel Termination, Per Point of Termination

(1a) Basic Service - Premises to Premises Arrangement

Service Type	Monthly Rate	Daily Rate	Nonrecurring Charges				
			Monthly		Daily		
			First	Add'l	First	Add'l	
- TV1 or 2 Price Cap	285.00	100.00	610.00	380.00	610.00	380.00	(D) (D) (D)
- 4TV-5 Price Cap	285.00	100.00	610.00	380.00	610.00	380.00	(D) (D) (D)
- 6TV-5 Price Cap	285.00	100.00	610.00	380.00	610.00	380.00	(D) (D) (D)
- TV-15 Price Cap	285.00	100.00	610.00	380.00	610.00	380.00	(D) (D) (D)

ACCESS SERVICE

7. Special Access Service (Cont'd)

7.5 Rates and Charges (Cont'd)

7.5.5 Video Service (Cont'd)

(A) Channel Termination, Per Point of Termination (Cont'd)

(1b) Basic Service - Premises to Hub Arrangement

Service Type	Monthly Rate	Daily Rate	Nonrecurring Charges				
			Monthly		Daily		
			First	Add'l	First	Add'l	
- TV1 or 2 Price Cap	455.00	100.00	1000.00	625.00	1000.00	625.00	(D) (D) (D)
- 4TV-5 Price Cap	455.00	100.00	1000.00	625.00	1000.00	625.00	(D) (D) (D)
- 6TV-5 Price Cap	455.00	100.00	1000.00	625.00	1000.00	625.00	(D) (D) (D)
- TV-15 Price Cap	455.00	100.00	1000.00	625.00	1000.00	625.00	(D) (D) (D)

ACCESS SERVICE

7. Special Access Service (Cont'd)

7.5 Rates and Charges (Cont'd)

7.5.5 Video Service

(A) Channel Termination, Per Point of Termination (Cont'd)

(2) Multichannel Service		<u>Type</u>	<u>Monthly Rate</u>	<u>Nonrecurring Charge</u>	
(a)	Premises to Premises Arrangement				
(a1)	Standard TV15				
		5-year Price Cap	\$255.00	None	(D)
					(D)
					(D)
		10-year Price Cap	\$245.00	None	(D)
					(D)
					(D)
(a2)	TV-15 with CPE				
		5-year Price Cap	\$175.00	None	(D)
					(D)
					(D)
(b)	Premises to Hub Arrangement				
(b1)	Standard TV15				
		5-year Price Cap	\$355.00	None	(D)
					(D)
					(D)
		10-year Price Cap	340.00	None	(D)
					(D)
					(D)
(b2)	TV-15 with CPE				
		5-year Price Cap	\$300.00	None	(D)
					(D)
					(D)

ACCESS SERVICE

---

- 7. Special Access Service (Cont'd)
  - 7.5 Rates and Charges (Cont'd)
    - 7.5.5 Video Service (Cont'd)

(D)

(D)

---

ACCESS SERVICE

---

7. Special Access Service (Cont'd)

7.5 Rates and Charges (Cont'd)

7.5.5 Video Service (Cont'd)

(C) Optional Features and Functions

(D)

(D)



ACCESS SERVICE

---

7. Special Access Service (Cont'd)

7.5 Rates and Charges (Cont'd)

7.5.5 Video Service (Cont'd)

(C) Optional Features and Functions

(D)

(D)

---

ACCESS SERVICE

---

7. Special Access Service (Cont'd)

7.5 Rates and Charges (Cont'd)

7.5.5 Video Service (Cont'd)

(C) Optional Features and Functions

(D)

(D)

ACCESS SERVICE

---

7. Special Access Service (Cont'd)

7.5 Rates and Charges (Cont'd)

7.5.5 Video Service (Cont'd)

(C) Optional Features and Functions

(D)

(D)

ACCESS SERVICE

---

7. Special Access Service (Cont'd)

7.5 Rates and Charges (Cont'd)

7.5.5 Video Service (Cont'd)

(C) Optional Features and Functions

(D)

(D)

---

ACCESS SERVICE

---

7. Special Access Service (Cont'd)

7.5 Rates and Charges (Cont'd)

7.5.5 Video Service (Cont'd)

(C) Optional Features and Functions

(D)

(D)

ACCESS SERVICE

7. Special Access Service (Cont'd)

7.5 Rates and Charges (Cont'd)

7.5.5 Video Service (Cont'd)

(D) Serial Component Video Service

(1) **Channel Terminations**, one-way only, - **Price Cap#** (D)  
 - per point of termination

(a) Premises-to premises

<u>Term Plan</u>	<u>Monthly Rate</u>	<u>Nonrecurring Charge</u>
Month-to-Month	\$450.00	NONE
3-Year	405.00	NONE
5-Year	360.00	NONE

<u>Daily</u>	<u>Monthly Rate</u>	<u>Nonrecurring Charge</u>
(Part-time)	\$300.00	First: \$600.00 Add'l: \$375.00

(b) Premises-to-Hub

<u>Term Plan</u>	<u>Monthly Rate</u>	<u>Nonrecurring Charge</u>
Month-to-Month	\$575.00	NONE
3-Year	550.00	NONE
5-Year	525.00	NONE

<u>Daily</u>	<u>Monthly Rate</u>	<u>Nonrecurring Charge</u>
(Part-time)	\$400.00	\$600.00

# Price Cap regulations no longer apply to Serial Component Video Service; however, the Telephone Company will continue to display these rates.

(D)  
 |  
 (D)

---

ACCESS SERVICE

---

7. Special Access Service (Cont'd)

7.5 Rates and Charges (Cont'd)

7.5.5 Video Service (Cont'd)

(D) Serial Component Video Service

(D)

(D)

---

ACCESS SERVICE

---

7. Special Access Service (Cont'd)

7.5 Rates and Charges (Cont'd)

7.5.5 Video Service (Cont'd)

(D) Serial Component Video Service

(D)

(D)



---

ACCESS SERVICE

---

7. Special Access Service (Cont'd)

7.5 Rates and Charges (Cont'd)

7.5.5 Video Service (Cont'd)

(D) Serial Component Video Service

(D)

(D)

---

ACCESS SERVICE

---

7. Special Access Service (Cont'd)

7.5 Rates and Charges (Cont'd)

7.5.5 Video Service (Cont'd)

(D) Serial Component Video Service (Cont'd)

(D)

(D)

---

ACCESS SERVICE

---

7. Special Access Service (Cont'd)

7.5 Rates and Charges (Cont'd)

7.5.5 Video Service (Cont'd)

(D) Serial Component Video Service (Cont'd)

(D)

(D)

---

ACCESS SERVICE

---

7. Special Access Service (Cont'd)

7.5 Rates and Charges (Cont'd)

7.5.5 Video Service (Cont'd)

(D) Serial Component Video Service (Cont'd)

(D)

(D)

---

ACCESS SERVICE

---

7. Special Access Service (Cont'd)

7.5 Rates and Charges (Cont'd)

7.5.5 Video Service (Cont'd)

(D) Serial Component Video Service (Cont'd)

(D)

(D)

ACCESS SERVICE

7. Special Access Service (Cont'd)

7.5 Rates and Charges (Cont'd)

7.5.5 Video Service (Cont'd)

(E) High-Definition (Hi-Def) Digital Video Transport Service, Price Cap #

(1) **Channel Terminations--**, one-way only (D)  
 -per point of termination

(a) -premises-to-premises

<u>Term Plan</u>	<u>Monthly Rate</u>	<u>Nonrecurring Charge</u>
Month-to-Month	\$589.50	\$750.00
1-Year	485.00	NONE
3-Year	436.50	NONE
5-Year	388.00	NONE

(b) -premises-to-hub

<u>Term Plan</u>	<u>Monthly Rate</u>	<u>Nonrecurring Charge</u>
Month-to-Month	\$589.50	\$750.00
1-Year	485.00	NONE
3-Year	436.50	NONE
5-Year	388.00	NONE

# Price Cap regulations no longer apply to Serial Component Video Service; however, the Telephone Company will continue to display these rates.

(D)  
 |  
 (D)

---

ACCESS SERVICE

---

- 7. Special Access Service (Cont'd)
  - 7.5 Rates and Charges (Cont'd)
    - 7.5.5 Video Service (Cont'd)

(D)

(D)

---

ACCESS SERVICE

---

- 7. Special Access Service (Cont'd)
  - 7.5 Rates and Charges (Cont'd)
    - 7.5.5 Video Service (Cont'd)

(D)

(D)



---

ACCESS SERVICE

---

- 7. Special Access Service (Cont'd)
  - 7.5 Rates and Charges (Cont'd)
    - 7.5.5 Video Service (Cont'd)

(D)

(D)

ACCESS SERVICE

7. Special Access Service (Cont'd)

7.5 Rates and Charges (Cont'd)

7.5.5 Video Service (Cont'd)

(F) 45 Mbps Digital Video Transport Service

(1) **Channel Terminations**, one-way only, **Price Cap**  
 -per point of termination (D)

(a) Premises-to premises

<u>Term Plan</u>	<u>Monthly Rate</u>	<u>Nonrecurring Charge</u>
Month-to-Month	\$610.00	NONE
1-Year	385.00	NONE
3-Year	365.00	NONE
5-Year	345.00	NONE

<u>Daily</u>	<u>Monthly Rate</u>	<u>Nonrecurring Charge</u>
(a.k.a. Part-time)	\$510.00	675.00

(b) Premises-to Hub

<u>Term Plan</u>	<u>Monthly Rate</u>	<u>Nonrecurring Charge</u>
Month-to-Month	\$610.00	NONE
3-Year	585.00	NONE
3-Year	560.00	NONE
5-Year	530.00	NONE

<u>Daily</u>	<u>Monthly Rate</u>	<u>Nonrecurring Charge</u>
(a.k.a. Part-time)	\$440.00	\$675.00

(D)  
 (D)  
 (D)

---

ACCESS SERVICE

---

- 7. Special Access Service (Cont'd)
  - 7.5 Rates and Charges (Cont'd)
    - 7.5.5 Video Service (Cont'd)

(D)

(D)

---

ACCESS SERVICE

---

- 7. Special Access Service (Cont'd)
  - 7.5 Rates and Charges (Cont'd)
    - 7.5.5 Video Service (Cont'd)

(D)

(D)

---

ACCESS SERVICE

---

- 7. Special Access Service (Cont'd)
  - 7.5 Rates and Charges (Cont'd)
    - 7.5.5 Video Service (Cont'd)

(D)

(D)

---

ACCESS SERVICE

---

- 7. Special Access Service (Cont'd)
- 7.5 Rates and Charges (Cont'd)
- 7.5.5 Video Service (Cont'd)

(D)

(D)

---

ACCESS SERVICE

---

7. Special Access Service (Cont'd)

7.5 Rates and Charges (Cont'd)

7.5.5 Video Service (Cont'd)

(F) 45 Mbps Digital Video Transport Service (Cont'd)

(D)

(D)

---

ACCESS SERVICE

---

7. Special Access Service (Cont'd)

7.5 Rates and Charges (Cont'd)

7.5.5 Video Service (Cont'd)

(F) 45 Mbps Digital Video Transport Service (Cont'd)

(D)

(D)



---

ACCESS SERVICE

---

7. Special Access Service (Cont'd)

7.5 Rates and Charges (Cont'd)

7.5.5 Video Service (Cont'd)

(F) 45 Mbps Digital Video Transport Service (Cont'd)

(D)

(D)

ACCESS SERVICE

7. Special Access Service (Cont'd)

7.5 Rates and Charges (Cont'd)

7.5.5 Video Service (Cont'd)

(F) 45 Mbps Digital Video Transport Service (Cont'd)

(3) **Optional Features and Functions**

(D)

|

(D)

(G) Supertrunking Transport Video Service

(1) **Channel Termination**

	<u>Monthly Rate</u>	<u>Nonrecurring Charge</u>
- Transmit 750MHz Price Cap	\$800.00	None
- Transmit 870MHz Price Cap	\$850.00	None
- Receive 750MHz Price Cap	\$525.00	None
- Receive 870MHz Price Cap	\$600.00	None

ACCESS SERVICE

---

7. Special Access Service (Cont'd)

7.5 Rates and Charges (Cont'd)

7.5.5 Video Service (Cont'd)

(G) Supertrunking Transport Video Service (Cont'd)

(D)

(D)

**ACCESS SERVICE**

---

7. Special Access Service (Cont'd)

7.5 Rates and Charges (Cont'd)

7.5.6 Wideband Analog Service

	<u>Monthly Rates</u>	<u>Nonrecurring Charges</u>
(A) Channel Termination - Per point of termination		
- 60 kHz - 108 kHz(AH-B)	ICB	ICB
- 312 kHz - 552 kHz(AH-C)	ICB	ICB
- 564 kHz - 3084 kHz(AH-D)	ICB	ICB
- 300 Hz - 18 kHz(WD-1)	ICB	ICB
- 28 kHz - 44 kHz(WD-2&3)	ICB	ICB

(D)

(D)

ACCESS SERVICE

7. Special Access Service (Cont'd)

7.5 Rates and Charges (Cont'd)

7.5.7 Wideband Data Service

	<u>Monthly Rates</u>	<u>Nonrecurring Charges</u>
(A) Channel Termination - Per point of termination		
- 19.2 or 18.75 kbps		
N-MSA	\$306.80	None
Price Band 4	383.50	None
Price Band 5	383.50	None
Price Band 6	383.50	None
- 50.0 or 40.8 kbps		
N-MSA	318.60	None
Price Band 4	442.50	None
Price Band 5	442.50	None
Price Band 6	442.50	None
- 230.4 kbps		
N-MSA	236.00	None
Price Band 4	295.00	None
Price Band 5	295.00	None
Price Band 6	295.00	None

(D)

(D)

---

ACCESS SERVICE

---

7. Special Access Service (Cont'd)

7.5 Rates and Charges (Cont'd)

7.5.7 Wideband Data Service (Cont'd)

(C) Optional Features  
and Functions

(D)

(D)

ACCESS SERVICE

7. Special Access Service (Cont'd)

7.5 Rates and Charges (Cont'd)

7.5.8 Digital Data Service

(A) Channel Termination  
 - Per point of termination

	<u>Monthly Rates</u>	<u>Nonrecurring Charges</u>	
		<u>First</u>	<u>Additional</u>
2.4 kbps Price Cap	\$118.64		(D) (D) (D)
4.8 kbps Price Cap	\$131.94		(D) (D) (D)
9.6 kbps Price Cap	\$145.26		(D) (D) (D)
19.2 kbps Price Cap	\$158.07		(D) (D) (D)
56.0 kbps Price Cap	\$175.54		(D) (D) (D)
64.0 kbps Price Cap	\$185.28		(D) (D) (D)
Installation/Change Price Cap		\$200.00	\$120.00 (D) (D) (D)
Rearrangement			(D) (D) (D)
Grandfathered Market		0.90	0.60

---

ACCESS SERVICE

---

7. Special Access Service (Cont'd)

7.5 Rates and Charges (Cont'd)

7.5.8 Digital Data Service

(D)

(D)



ACCESS SERVICE

---

7. Special Access Service (Cont'd)

7.5 Rates and Charges (Cont'd)

7.5.8 Digital Data Service (Cont'd)

(C) Optional Features  
and Functions

(D)

(D)

---

ACCESS SERVICE

---

7. Special Access Service (Cont'd)

7.5 Rates and Charges (Cont'd)

7.5.8 Digital Data Service (Cont'd)

(D) Optional Features and Functions (Cont'd)

(D)

(D)

ACCESS SERVICE

---

7. Special Access Service (Cont'd)

7.5 Rates and Charges (Cont'd)

7.5.8.1 Bonded Digital Link Service

	<u>Monthly Rates</u>	<u>Nonrecurring Charges</u>	
Intra-office Channel - Per DS0			
Price Band 4	7.00	None	(D)
Price Band 5	7.00	None	
Price Band 6	7.00	None	
Inter-office Channel - Per DS0			
Price Band 4	12.00	None	(D)
Price Band 5	12.00	None	
Price Band 6	12.00	None	

ACCESS SERVICE

7. Special Access Service (Cont'd)

7.5 Rates and Charges (Cont'd)

7.5.9 High Capacity Service

(A) Channel Termination  
 - Per point of termination

	<u>Monthly Rates</u>	<u>Nonrecurring Charges</u>	
		<u>First</u>	<u>Additional</u>
(1) <u>Basic Service</u>			
a) <u>Electrical Interface</u>			
1.544 Mbps/DS1			
Rate Zone 1	195.00		
Rate Zone 2	218.16		
Rate Zone 3	270.19		(I)
Installation/Change			
Rate Zone 1		\$355.00	\$220.00
Rate Zone 2		355.00	220.00
Rate Zone 3		355.00	220.00
Grandfathered Market		355.00	220.00
Rearrangement			
Grandfathered Market		0.90	0.60
Coordinated Retermination			
Grandfathered Market		380.00	N/A
3.152 Mbps/DS1C			
Rate Zone 1	ICB		
Rate Zone 2	ICB		
Rate Zone 3	ICB		

ACCESS SERVICE

---

7. Special Access Service (Cont'd)

7.5 Rates and Charges (Cont'd)

7.5.9 High Capacity Service (Cont'd)

(A) Channel Termination (Cont'd)  
 - Per point of termination (Cont'd)

(1) Basic Service (Cont'd)

(a) Electrical Interface (Cont'd)

44.736 Mbps/DS3  
 Rate Zone 1, Month-to-Month

Monthly Rate,  
Per CT

Nonrecurring  
Charge

Per DS3 CT at each  
 Secondary Premises

1,700.96

1.00

(D)

(D)

(D)

(D)

ACCESS SERVICE

---

7. Special Access Service (Cont'd)

7.5 Rates and Charges (Cont'd)

7.5.9 High Capacity Service (Cont'd)

(A) Channel Termination (Cont'd)  
 - Per point of termination (Cont'd)

(1) Basic Service (Cont'd)

(a) Electrical Interface (Cont'd)

44.736 Mbps/DS3 (Cont'd)  
 Rate Zone 2, Month-to-Month

	Monthly Rate, <u>Per CT</u>	Nonrecurring <u>Charge</u>	
Per DS3 CT at each Secondary Premises	1,786.01	1.00	(D)

(D)  
 (D)  
 (D)

ACCESS SERVICE

---

7. Special Access Service (Cont'd)

7.5 Rates and Charges (Cont'd)

7.5.9 High Capacity Service (Cont'd)

(A) Channel Termination (Cont'd)  
 - Per point of termination (Cont'd)

(1) Basic Service (Cont'd)

(a) Electrical Interface (Cont'd)

44.736 Mbps/DS3 (Cont'd)  
 Rate Zone 3, Month-to-Month

	Monthly Rate, <u>Per CT</u>	Nonrecurring <u>Charge</u>	
Per DS3 CT at each Secondary Premises	1,871.06	1.00	(D)
			(D)
			(D)
			(D)





180 S. Clinton Ave., Rochester, NY 14646

ACCESS SERVICE

- 7. Special Access Service (Cont'd)
  - 7.5 Rates and Charges (Cont'd)
    - 7.5.9 High Capacity Service (Cont'd)
      - (A) Channel Termination (Cont'd)  
 - Per point of termination (Cont'd)
    - (1) Basic Service (Cont'd)
      - (a) Electrical Interface (Cont'd)  
 44.736 Mbps/DS3 (Cont'd)  
 Price Band 5, Month-to-Month

<u># DS3 CTs Counted</u>	<u>Monthly Rate, Per CT</u>	<u>Nonrecurring Charge</u>	(D)
Grandfathered Market		\$ 1.00	(D)
			(D)
(D)			
Per DS3 CT at each			
Grandfathered Market		\$ 1.00	(D)

180 S. Clinton Ave., Rochester, NY 14646

ACCESS SERVICE

7. Special Access Service (Cont'd)

7.5 Rates and Charges (Cont'd)

7.5.9 High Capacity Service (Cont'd)

(A) Channel Termination (Cont'd)  
 - Per point of termination (Cont'd)

(1) Basic Service (Cont'd)

(a) Electrical Interface (Cont'd)  
 44.736 Mbps/DS3 (Cont'd)  
 Price Band 6, Month-to-Month

<u># DS3 CTs Counted</u>	<u>Monthly Rate, Per CT</u>	<u>Nonrecurring Charge</u>	(D)
			(D)
Grandfathered Market		\$ 1.00	(D)
			(D)
			(D)
Per DS3 CT at each			(D)
Grandfathered Market		\$ 1.00	(D)

ACCESS SERVICE

---

7. Special Access Service (Cont'd)

7.5 Rates and Charges (Cont'd)

7.5.9 High Capacity Service (Cont'd)

(A) Channel Termination (Cont'd)  
 - Per point of termination (Cont'd)

(1) Basic Service (Cont'd)

(a) Electrical Interface (Cont'd)

44.736 Mbps/DS3 (Cont'd)  
 Rate Zone 1, Base Rates#

(T)

Monthly Rate,  
Per CT

Nonrecurring  
Charge

Per DS3 CT at each  
 Secondary Premises

1,700.96

1.00

# Service Offer is limited. See Footnote on page 7-221.

(N)

---

Issued: November 4, 2021

Effective: November 19, 2021

(This page filed under Transmittal No. 111)  
 Vice President, Government and Regulatory Affairs  
 180 S. Clinton Ave., Rochester, NY 14646

ACCESS SERVICE

---

7. Special Access Service (Cont'd)

7.5 Rates and Charges (Cont'd)

7.5.9 High Capacity Service (Cont'd)

(A) Channel Termination (Cont'd)  
 - Per point of termination (Cont'd)

(1) Basic Service (Cont'd)

(a) Electrical Interface (Cont'd)

44.736 Mbps/DS3 (Cont'd)  
 Rate Zone 2, Base Rates#

(T)

Monthly Rate,  
Per CT

Nonrecurring  
Charge

Per DS3 CT at each  
 Secondary Premises

1,786.01

1.00

# Service Offer is limited. See Footnote on page 7-221.

(N)

ACCESS SERVICE

---

7. Special Access Service (Cont'd)

7.5 Rates and Charges (Cont'd)

7.5.9 High Capacity Service (Cont'd)

(A) Channel Termination (Cont'd)  
 - Per point of termination (Cont'd)

(1) Basic Service (Cont'd)

(a) Electrical Interface (Cont'd)

44.736 Mbps/DS3 (Cont'd)  
 Rate Zone 3, Base Rates#

(T)

Monthly Rate,  
Per CT

Nonrecurring  
Charge

Per DS3 CT at each  
 Secondary Premises

1,871.06

1.00

# Service Offer is limited. See Footnote on page 7-221.

(N)

ACCESS SERVICE

---

7. Special Access Service (Cont'd)

7.5 Rates and Charges (Cont'd)

7.5.9 High Capacity Service (Cont'd)

(A) Channel Termination (Cont'd)  
 - Per point of termination (Cont'd)

(1) Basic Service (Cont'd)

(a) Electrical Interface (Cont'd)

44.736 Mbps/DS3 (Cont'd)  
 Price Band 4, Base Rates#

(T)

<u># DS3 CTs Counted</u>	<u>Monthly Rate, Per CT</u>	<u>Nonrecurring Charge</u>
--------------------------	---------------------------------	--------------------------------

Grandfathered Market		\$ 1.00
----------------------	--	---------

Per DS3 CT at each Grandfathered Market		\$ 1.00
--	--	---------

# Service Offer is limited. See Footnote on page 7-221. (N)

---

Issued: November 4, 2021 Effective: November 19, 2021

(This page filed under Transmittal No. 111)  
 Vice President, Government and Regulatory Affairs  
 180 S. Clinton Ave., Rochester, NY 14646



ACCESS SERVICE

---

7. Special Access Service (Cont'd)

7.5 Rates and Charges (Cont'd)

7.5.9 High Capacity Service (Cont'd)

(A) Channel Termination (Cont'd)  
 - Per point of termination (Cont'd)

(1) Basic Service (Cont'd)

(a) Electrical Interface (Cont'd)

44.736 Mbps/DS3 (Cont'd)  
 Price Band 5, Base Rates#

(T)

<u># DS3 CTs Counted</u>	<u>Monthly Rate, Per CT</u>	<u>Nonrecurring Charge</u>
--------------------------	---------------------------------	--------------------------------

Grandfathered Market		\$ 1.00
----------------------	--	---------

Per DS3 CT at each Grandfathered Market		\$ 1.00
--	--	---------

# Service Offer is limited. See Footnote on page 7-221. (N)

---

Issued: November 4, 2021 Effective: November 19, 2021

(This page filed under Transmittal No. 111)  
 Vice President, Government and Regulatory Affairs  
 180 S. Clinton Ave., Rochester, NY 14646

ACCESS SERVICE

---

7. Special Access Service (Cont'd)

7.5 Rates and Charges (Cont'd)

7.5.9 High Capacity Service (Cont'd)

(A) Channel Termination (Cont'd)  
 - Per point of termination (Cont'd)

(1) Basic Service (Cont'd)

(a) Electrical Interface (Cont'd)

44.736 Mbps/DS3 (Cont'd)  
 Price Band 6, Base Rates#

(T)

<u># DS3 CTs Counted</u>	<u>Monthly Rate, Per CT</u>	<u>Nonrecurring Charge</u>
--------------------------	---------------------------------	--------------------------------

Grandfathered Market		\$ 1.00
----------------------	--	---------

Per DS3 CT at each Grandfathered Market		\$ 1.00
--	--	---------

# Service Offer is limited. See Footnote on page 7-221. (N)

ACCESS SERVICE

---

7. Special Access Service (Cont'd)

7.5 Rates and Charges (Cont'd)

7.5.9 High Capacity Service (Cont'd)

(A) Channel Termination (Cont'd)  
 - Per point of termination (Cont'd)

(1) Basic Service (Cont'd)

(b) Optical Interface

44.736 Mbps/DS3 (Cont'd)  
 Rate Zone 1, Month-to-Month

Monthly Rate,  
Per CT

Nonrecurring  
Charge

Per DS3 CT at each  
 Secondary Premises

1,700.96

1.00

(D)  
 (D)  
 (D)  
 (D)

ACCESS SERVICE

---

7. Special Access Service (Cont'd)

7.5 Rates and Charges (Cont'd)

7.5.9 High Capacity Service (Cont'd)

(A) Channel Termination (Cont'd)  
 - Per point of termination (Cont'd)

(1) Basic Service (Cont'd)

(b) Optical Interface (Cont'd)

44.736 Mbps/DS3 (Cont'd)  
 Rate Zone 2, Month-to-Month

	Monthly Rate, <u>Per CT</u>	Nonrecurring <u>Charge</u>	
Per DS3 CT at each Secondary Premises	1,786.01	1.00	(D)
			(D)
			(D)
			(D)

ACCESS SERVICE

---

7. Special Access Service (Cont'd)

7.5 Rates and Charges (Cont'd)

7.5.9 High Capacity Service (Cont'd)

(A) Channel Termination (Cont'd)  
 - Per point of termination (Cont'd)

(1) Basic Service (Cont'd)

(b) Optical Interface (Cont'd)

44.736 Mbps/DS3 (Cont'd)  
 Rate Zone 3, Month-to-Month

	Monthly Rate, <u>Per CT</u>	Nonrecurring <u>Charge</u>	
Per DS3 CT at each Secondary Premises	1,871.06	1.00	(D)
			(D)
			(D)
			(D)

ACCESS SERVICE

7. Special Access Service (Cont'd)

7.5 Rates and Charges (Cont'd)

7.5.9 High Capacity Service (Cont'd)

(A) Channel Termination (Cont'd)  
 - Per point of termination (Cont'd)

(1) Basic Service (Cont'd)

(b) Optical Interface

44.736 Mbps/DS3 (Cont'd)  
 Price Band 4, Month-to-Month

<u># DS3 CTs Counted</u>	<u>Monthly Rate, Per CT</u>	<u>Nonrecurring Charge</u>	(D)
			(D)
Grandfathered Market		\$ 1.00	(D)
			(D)
(D)			
Per DS3 CT at each			
Grandfathered Market		\$ 1.00	(D)

ACCESS SERVICE

7. Special Access Service (Cont'd)

7.5 Rates and Charges (Cont'd)

7.5.9 High Capacity Service (Cont'd)

(A) Channel Termination (Cont'd)  
 - Per point of termination (Cont'd)

(1) Basic Service (Cont'd)

(b) Optical Interface (Cont'd)  
 44.736 Mbps/DS3 (Cont'd)  
 Price Band 5, Month-to-Month

<u># DS3 CTs Counted</u>	<u>Monthly Rate, Per CT</u>	<u>Nonrecurring Charge</u>	(D)
Grandfathered Market		\$ 1.00	(D)
			(D)
(D)			
Per DS3 CT at each			
Grandfathered Market		\$ 1.00	(D)

ACCESS SERVICE

- 7. Special Access Service (Cont'd)
  - 7.5 Rates and Charges (Cont'd)
    - 7.5.9 High Capacity Service (Cont'd)
      - (A) Channel Termination (Cont'd)  
 - Per point of termination (Cont'd)
      - (1) Basic Service (Cont'd)
        - (b) Optical Interface (Cont'd)  
 44.736 Mbps/DS3 (Cont'd)  
 Price Band 6, Month-to-Month

<u># DS3 CTs Counted</u>	<u>Monthly Rate, Per CT</u>	<u>Nonrecurring Charge</u>	(D)
Grandfathered Market		\$ 1.00	(D)
			(D)
(D)			
Per DS3 CT at each			
Grandfathered Market		\$ 1.00	(D)



ACCESS SERVICE

---

7. Special Access Service (Cont'd)

7.5 Rates and Charges (Cont'd)

7.5.9 High Capacity Service (Cont'd)

(A) Channel Termination (Cont'd)  
 - Per point of termination (Cont'd)

(1) Basic Service (Cont'd)

(b) Optical Interface (Cont'd)

44.736 Mbps/DS3 (Cont'd)  
 Rate Zone 1, Base Rates#

(T)

Monthly Rate,  
Per CT

Nonrecurring  
Charge

Per DS3 CT at each  
 Secondary Premises

1,700.96

1.00

# Service Offer is limited. See Footnote on page 7-221.

(N)

ACCESS SERVICE

---

7. Special Access Service (Cont'd)

7.5 Rates and Charges (Cont'd)

7.5.9 High Capacity Service (Cont'd)

(A) Channel Termination (Cont'd)  
 - Per point of termination (Cont'd)

(1) Basic Service (Cont'd)

(b) Optical Interface (Cont'd)

44.736 Mbps/DS3 (Cont'd)  
 Rate Zone 2, Base Rates#

(T)

Monthly Rate,  
Per CT

Nonrecurring  
Charge

Per DS3 CT at each  
 Secondary Premises

1,786.01

1.00

# Service Offer is limited. See Footnote on page 7-221.

(N)

ACCESS SERVICE

---

7. Special Access Service (Cont'd)

7.5 Rates and Charges (Cont'd)

7.5.9 High Capacity Service (Cont'd)

(A) Channel Termination (Cont'd)  
 - Per point of termination (Cont'd)

(1) Basic Service (Cont'd)

(b) Optical Interface (Cont'd)

44.736 Mbps/DS3 (Cont'd)  
 Rate Zone 3, Base Rates#

(T)

Monthly Rate,  
Per CT

Nonrecurring  
Charge

Per DS3 CT at each  
 Secondary Premises

1,871.06

1.00

# Service Offer is limited. See Footnote on page 7-221.

(N)

ACCESS SERVICE

---

7. Special Access Service (Cont'd)

7.5 Rates and Charges (Cont'd)

7.5.9 High Capacity Service (Cont'd)

(A) Channel Termination (Cont'd)  
 - Per point of termination (Cont'd)

(1) Basic Service (Cont'd)

(b) Optical Interface (Cont'd)

44.736 Mbps/DS3 (Cont'd)  
 Price Band 4, Base Rates#

(T)

<u># DS3 CTs Counted</u>	<u>Monthly Rate, Per CT</u>	<u>Nonrecurring Charge</u>
--------------------------	---------------------------------	--------------------------------

Grandfathered Market		\$ 1.00
----------------------	--	---------

Per DS3 CT at each Grandfathered Market		\$ 1.00
--	--	---------

# Service Offer is limited. See Footnote on page 7-221. (N)

Issued: November 4, 2021

Effective: November 19, 2021

(This page filed under Transmittal No. 111)  
 Vice President, Government and Regulatory Affairs  
 180 S. Clinton Ave., Rochester, NY 14646

ACCESS SERVICE

---

7. Special Access Service (Cont'd)

7.5 Rates and Charges (Cont'd)

7.5.9 High Capacity Service (Cont'd)

(A) Channel Termination (Cont'd)  
 - Per point of termination (Cont'd)

(1) Basic Service (Cont'd)

(b) Optical Interface (Cont'd)

44.736 Mbps/DS3 (Cont'd)  
 Price Band 5, Base Rates#

(T)

<u># DS3 CTs Counted</u>	<u>Monthly Rate, Per CT</u>	<u>Nonrecurring Charge</u>
--------------------------	---------------------------------	--------------------------------

Grandfathered Market		\$ 1.00
----------------------	--	---------

Per DS3 CT at each Grandfathered Market		\$ 1.00
--	--	---------

# Service Offer is limited. See Footnote on page 7-221. (N)

---

Issued: November 4, 2021 Effective: November 19, 2021

(This page filed under Transmittal No. 111)  
 Vice President, Government and Regulatory Affairs  
 180 S. Clinton Ave., Rochester, NY 14646

ACCESS SERVICE

---

7. Special Access Service (Cont'd)

7.5 Rates and Charges (Cont'd)

7.5.9 High Capacity Service (Cont'd)

(A) Channel Termination (Cont'd)  
 - Per point of termination (Cont'd)

(1) Basic Service and Month-to-Month (Cont'd)

(b) Optical Interface (Cont'd)

44.736 Mbps/DS3 (Cont'd)  
 Price Band 6, Base Rates#

(T)

<u># DS3 CTs Counted</u>	<u>Monthly Rate, Per CT</u>	<u>Nonrecurring Charge</u>
--------------------------	---------------------------------	--------------------------------

Grandfathered Market		\$ 1.00
----------------------	--	---------

Per DS3 CT at each Grandfathered Market		\$ 1.00
--	--	---------

# Service Offer is limited. See Footnote on page 7-221. (N)

---

Issued: November 4, 2021 Effective: November 19, 2021

(This page filed under Transmittal No. 111)  
 Vice President, Government and Regulatory Affairs  
 180 S. Clinton Ave., Rochester, NY 14646

ACCESS SERVICE

---

7. Special Access Service (Cont'd)

7.5 Rates and Charges (Cont'd)

7.5.9 High Capacity Service (Cont'd)

(A) Channel Termination (Cont'd)  
 - Per point of termination (Cont'd)

(1) Basic Service (Cont'd)

(c) Short-Term DS3	<u>Monthly Rates</u>	<u>Nonrecurring Charges</u>
Rate Zone 1	3,730.13	1,800.00
Rate Zone 2	3,730.13	1,800.00
Rate Zone 3	3,730.13	1,800.00

(D)  
 (D)  
 (D)

---

ACCESS SERVICE

---

- 7. Special Access Service (Cont'd)
  - 7.5 Rates and Charges (Cont'd)
    - 7.5.9 High Capacity Service (Cont'd)

(D)

(D)



---

ACCESS SERVICE

---

7. Special Access Service (Cont'd)

7.5 Rates and Charges (Cont'd)

7.5.9 High Capacity Service (Cont'd)

(B) Channel Mileage (Cont'd)

(1) Basic Service and Month-to-Month (Cont'd)

(e) 44.736 Mbps (Cont'd)

(D)

(D)

---

ACCESS SERVICE

---

7. Special Access Service (Cont'd)

7.5 Rates and Charges (Cont'd)

7.5.9 High Capacity Service (Cont'd)

(B) Channel Mileage (Cont'd)

(1) Basic Service and Month-to-Month (Cont'd)

(e) 44.736 Mbps (Cont'd)

(D)

(D)

---

ACCESS SERVICE

---

7. Special Access Service (Cont'd)

7.5 Rates and Charges (Cont'd)

7.5.9 High Capacity Service (Cont'd)

(C) Optional Features and  
Functions

(D)

(D)

---

ACCESS SERVICE

---

7. Special Access Service (Cont'd)

7.5 Rates and Charges (Cont'd)

7.5.9 High Capacity Service (Cont'd)

(C) Optional Features and Functions (Cont'd)

(D)

(D)

ACCESS SERVICE

---

7. Special Access Service (Cont'd)

7.5 Rates and Charges (Cont'd)

7.5.9 High Capacity Service (Cont'd)

(C) Optional Features and Functions (Cont'd)

(D)

(D)

---

ACCESS SERVICE

---

7. Special Access Service (Cont'd)

7.5 Rates and Charges (Cont'd)

7.5.9 High Capacity Service (Cont'd)

(C) Optional Features and Functions (Cont'd)

(D)

(D)

---

ACCESS SERVICE

---

7. Special Access Service (Cont'd)

7.5 Rates and Charges (Cont'd)

7.5.9 High Capacity Service (Cont'd)

(C) Optional Features and Functions (Cont'd)

(D)

(D)

---

ACCESS SERVICE

---

7. Special Access Service (Cont'd)

7.5 Rates and Charges (Cont'd)

(D)

(D)



## ACCESS SERVICE

7. Special Access Service (Cont'd)7.5 Rates and Charges (Cont'd)7.5.10 Lightwave Facilities

	<u>USOC</u>	<u>Nonrecurring Charges</u>
(A) Service Installation - Per point of termination		
1) 4 optic cable strands	TOTDX	
N-MSA		\$2,600.00
Price Band 4		2,600.00
Price Band 5		2,600.00
Price Band 6		2,600.00
2) 12 optic cable strands	TOTEX	
N-MSA		2,600.00
Price Band 4		2,600.00
Price Band 5		2,600.00
Price Band 6		2,600.00
	<u>USOC</u>	<u>Monthly Rates</u>
(B) Channel Mileage - Per Mile		
1) 4 optic cable strands	1T5DS	
N-MSA		1,200.00
Price Band 4		1,200.00
Price Band 5		1,200.00
Price Band 6		1,200.00
2) 12 optic cable strands	1T5ES	
N-MSA		3,600.00
Price Band 4		3,600.00
Price Band 5		3,600.00
Price Band 6		3,600.00

7.5.11 Non-Standard Premises (NSP)  
Connection Charge

	<u>USOC</u>	<u>Nonrecurring</u>
-Per customer per NSP, per the first service connected		
N-MSA	NRBWZ	\$0.00
Price Band 4	NRBWZ	0.00
Price Band 5	NRBWZ	0.00
Price Band 6	NRBWZ	0.00

---

ACCESS SERVICE

---

7. Special Access Service (Cont'd)7.5 Rates and Charges (Cont'd)7.5.12 Reconfigure Service

	<u>Monthly Rates</u>	<u>Nonrecurring Charges</u>
(A) Service Establishment		
Price Band 4		2500.00 (D)
Price Band 5		2500.00
Price Band 6		2500.00
(B) Database Modification, Per occasion		
Price Band 4		225.00 (D)
Price Band 5		225.00
Price Band 6		225.00
(C) Telephone Company Performed Reconfiguration - Each 30-minute increment, per occasion		
Price Band 4		40.00 (D)
Price Band 5		40.00
Price Band 6		40.00

\* Reconfigure Service and DDS can only be provided in Hub offices, which support both services.

ACCESS SERVICE

7. Special Access Service (Cont'd)

7.5 Rates and Charges (Cont'd)

7.5.12 Reconfigure Service

	<u>Monthly Rates</u>	<u>Nonrecurring Charges</u>	
(D) Ports, per channel			
(1) Voice Grade or DDS Ports*			(D)
Price Band 4	31.45	50.30	
Price Band 5	31.45	50.30	
Price Band 6	31.45	50.30	
(2) DS1 Port			(D)
			(D)
			(D)
Price Band 4	131.45	150.30	
Price Band 5	131.45	150.30	
Price Band 6	131.45	150.30	
(3) DS3 Port			(D)
			(D)
			(D)
Price Band 4	375.00	152.95	
Price Band 5	375.00	152.95	
Price Band 6	375.00	152.95	

\* Reconfigure Service and DDS can only be provided in Hub offices, which support both services.

---

ACCESS SERVICE

---

7. Special Access Service (Cont'd)7.5 Rates and Charges (Cont'd)7.5.13 Message Station Equipment Recovery Charge

Message Station Equipment  
 Recovery Charge

- Per Special Access  
 Surcharge Assessed

Price Cap  
 Price Band 4, 5, and 6

Monthly Rate

\$4.50 (T)  
 4.50 (N)

7.5.14 Special Access Surcharge

- Per Voice Equivalent  
 Private Line

Price Cap  
 Price Band 4, 5, and 6

25.00 (T)  
 25.00 (N)

7.5.15 Reserved

---

 ACCESS SERVICE
 

---

7. Special Access Service (Cont'd)7.5 Rates and Charges (Cont'd)7.5.16 Term Pricing Plans#

(T)

(A) 2-year Commitment Period - DDS Price Cap

<u>Service</u>	<u>Monthly Rate</u>	
2.4 kbps DDS Per Channel Termination	\$	72.89
4.8 kbps DDS Per Channel Termination		86.16
9.6 kbps DDS Per Channel Termination		99.41
19.2 kbps DDS Per Channel Termination		112.70
56 kbps DDS Per Channel Termination		125.93
64 kbps DDS Per Channel Termination		139.18
<u>Nonrecurring Charges</u> <u>- Per Channel Termination</u>	<u>First</u>	<u>Additional</u>
Installation/Change	\$200.00	\$120.00

# Service Offer is limited. See Footnote on page 7-232.

(N)

---

 Issued: November 4, 2021

Effective: November 19, 2021

(This page filed under Transmittal No. 111)  
 Vice President, Government and Regulatory Affairs  
 180 S. Clinton Ave., Rochester, NY 14646

ACCESS SERVICE

---

7. Special Access Service (Cont'd)

7.5 Rates and Charges (Cont'd)

7.5.16 Term Pricing Plans# (Cont'd)

(T)

(A) 2-year Commitment Period – DDS Price Band 4

<u>Nonrecurring Charges - Per Channel Termination</u>	<u>First</u>	<u>Additional</u>
Grandfathered Market	\$ 1.00	\$ 0.75
Rearrangement Grandfathered Market	0.90	0.60

# Service Offer is limited. See Footnote on page 7-232.

(N)

---

Issued: November 4, 2021

Effective: November 19, 2021

(This page filed under Transmittal No. 111)  
 Vice President, Government and Regulatory Affairs  
 180 S. Clinton Ave., Rochester, NY 14646

ACCESS SERVICE

---

7. Special Access Service (Cont'd)

7.5 Rates and Charges (Cont'd)

7.5.16 Term Pricing Plans# (Cont'd)

(T)

(A) 2-year Commitment Period – DDS Price Band 5

<u>Nonrecurring Charges - Per Channel Termination</u>	<u>First</u>	<u>Additional</u>
Grandfathered Market	\$ 1.00	\$ 0.75
Rearrangement Grandfathered Market	0.90	0.60

# Service Offer is limited. See Footnote on page 7-232.

(N)

---

Issued: November 4, 2021

Effective: November 19, 2021

(This page filed under Transmittal No. 111)  
 Vice President, Government and Regulatory Affairs  
 180 S. Clinton Ave., Rochester, NY 14646

ACCESS SERVICE

---

7. Special Access Service (Cont'd)

7.5 Rates and Charges (Cont'd)

7.5.16 Term Pricing Plans# (Cont'd)

(A) 2-year Commitment Period – DDS Price Band 6

(T)

<u>Nonrecurring Charges - Per Channel Termination</u>	<u>First</u>	<u>Additional</u>
Grandfathered Market	\$ 1.00	\$ 0.75
Rearrangement Grandfathered Market	0.90	0.60

# Service Offer is limited. See Footnote on page 7-232.

(N)

---

Issued: November 4, 2021

Effective: November 19, 2021

(This page filed under Transmittal No. 111)  
 Vice President, Government and Regulatory Affairs  
 180 S. Clinton Ave., Rochester, NY 14646



ACCESS SERVICE

7. Special Access Service (Cont'd)

7.5 Rates and Charges (Cont'd)

7.5.16 Term Pricing Plans# (Cont'd)

(T)

(A) 2-year Commitment Period – DS1

<u>Service</u>	<u>Monthly Rate</u>	<u>Nonrecurring Charges</u>	
		<u>First</u>	<u>Additional</u>
Per Channel Termination			
1.544 Mbps/DS1			
Rate Zone 1	\$167.45		
Rate Zone 2	185.44		
Rate Zone 3	196.77		
Installation/Change			
Rate Zone 1		\$ 1.00	\$0.75
Rate Zone 2		1.00	0.75
Rate Zone 3		1.00	0.75
Grandfathered Market		1.00	0.75
Rearrangement			
Grandfathered Market		0.90	0.60

# Service Offer is limited. See Footnote on page 7-232.

(N)

Issued: November 4, 2021

Effective: November 19, 2021

(This page filed under Transmittal No. 111)  
 Vice President, Government and Regulatory Affairs  
 180 S. Clinton Ave., Rochester, NY 14646

ACCESS SERVICE

---

7. Special Access Service (Cont'd)

7.5 Rates and Charges (Cont'd)

7.5.16 Term Pricing Plans# (Cont'd)

(T)

(A) 2-year Commitment Period – DS1 (Cont'd)

# Service Offer is limited. See Footnote on page 7-232.

(N)

---

Issued: November 4, 2021

Effective: November 19, 2021

(This page filed under Transmittal No. 111)  
Vice President, Government and Regulatory Affairs  
180 S. Clinton Ave., Rochester, NY 14646

ACCESS SERVICE

---

7. Special Access Service (Cont'd)7.5 Rates and Charges (Cont'd)7.5.16 Term Pricing Plans# (Cont'd) (T)(B) 3-year Commitment Period – DDS Price Cap

<u>Service</u>	<u>Monthly Rate</u>	
2.4 kbps DDS Per Channel Termination	\$66.29	
4.8 kbps DDS Per Channel Termination	79.53	
9.6 kbps DDS Per Channel Termination	86.16	
19.2 kbps DDS Per Channel Termination	92.80	
56 kbps DDS Per Channel Termination	98.42	
64 kbps DDS Per Channel Termination	112.70	
<u>Nonrecurring Charges</u> <u>- Per Channel Termination</u>	<u>First</u>	<u>Additional</u>
Installation/Change	\$200.00	\$120.00

# Service Offer is limited. See Footnote on page 7-232.

(N)

Issued: November 4, 2021

Effective: November 19, 2021

(This page filed under Transmittal No. 111)  
 Vice President, Government and Regulatory Affairs  
 180 S. Clinton Ave., Rochester, NY 14646

ACCESS SERVICE

---

7. Special Access Service (Cont'd)

7.5 Rates and Charges (Cont'd)

7.5.16 Term Pricing Plans# (Cont'd)

(B) 3-year Commitment Period – DDS Price Band 4

(T)

<u>Nonrecurring Charges - Per Channel Termination</u>	<u>First</u>	<u>Additional</u>
Grandfathered Market	\$ 1.00	\$ 0.75
Rearrangement Grandfathered Market	0.90	0.60

# Service Offer is limited. See Footnote on page 7-232.

(N)

---

Issued: November 4, 2021

Effective: November 19, 2021

(This page filed under Transmittal No. 111)  
 Vice President, Government and Regulatory Affairs  
 180 S. Clinton Ave., Rochester, NY 14646

ACCESS SERVICE

---

7. Special Access Service (Cont'd)

7.5 Rates and Charges (Cont'd)

7.5.16 Term Pricing Plans# (Cont'd)

(T)

(B) 3-year Commitment Period – DDS Price Band 5

<u>Nonrecurring Charges - Per Channel Termination</u>	<u>First</u>	<u>Additional</u>
Grandfathered Market	\$ 1.00	\$ 0.75
Rearrangement Grandfathered Market	0.90	0.60

# Service Offer is limited. See Footnote on page 7-232.

(N)

---

Issued: November 4, 2021

Effective: November 19, 2021

(This page filed under Transmittal No. 111)  
 Vice President, Government and Regulatory Affairs  
 180 S. Clinton Ave., Rochester, NY 14646

ACCESS SERVICE

---

7. Special Access Service (Cont'd)

7.5 Rates and Charges (Cont'd)

7.5.16 Term Pricing Plans# (Cont'd)

(B) 3-year Commitment Period – DDS Price Band 6

(T)

<u>Nonrecurring Charges - Per Channel Termination</u>	<u>First</u>	<u>Additional</u>
Grandfathered Market	\$ 1.00	\$ 0.75
Rearrangement Grandfathered Market	0.90	0.60

# Service Offer is limited. See Footnote on page 7-232.

(N)

---

Issued: November 4, 2021

Effective: November 19, 2021

(This page filed under Transmittal No. 111)  
 Vice President, Government and Regulatory Affairs  
 180 S. Clinton Ave., Rochester, NY 14646

ACCESS SERVICE

7. Special Access Service (Cont'd)

7.5 Rates and Charges (Cont'd)

7.5.16 Term Pricing Plans# (Cont'd)

(T)

(B) 3-year Commitment Period – DS1

<u>Service</u>	<u>Monthly Rate</u>	<u>Nonrecurring Charges</u>	
		<u>First</u>	<u>Additional</u>
Per Channel Termination			
1.544 Mbps/DS1			
Rate Zone 1	\$147.75		
Rate Zone 2	163.62		
Rate Zone 3	173.62		
Installation/Change			
Rate Zone 1		\$ 1.00	\$0.75
Rate Zone 2		1.00	0.75
Rate Zone 3		1.00	0.75
Grandfathered Market		1.00	0.75
Rearrangement			
Grandfathered Market		0.90	0.60

# Service Offer is limited. See Footnote on page 7-232.

(N)

Issued: November 4, 2021

Effective: November 19, 2021

(This page filed under Transmittal No. 111)  
 Vice President, Government and Regulatory Affairs  
 180 S. Clinton Ave., Rochester, NY 14646

---

ACCESS SERVICE

---

7. Special Access Service (Cont'd)

7.5 Rates and Charges (Cont'd)

7.5.16 Term Pricing Plans# (Cont'd)

(B) 3-year Commitment Period – DS1 (Cont'd)

(T)

# Service Offer is limited. See Footnote on page 7-232.

(N)

---

Issued: November 4, 2021

Effective: November 19, 2021

(This page filed under Transmittal No. 111)  
Vice President, Government and Regulatory Affairs  
180 S. Clinton Ave., Rochester, NY 14646



ACCESS SERVICE

---

7. Special Access Service (Cont'd)7.5 Rates and Charges (Cont'd)7.5.16 Term Pricing Plans# (Cont'd)

(T)

(C) 5-year Commitment Period – DDS Price Cap

<u>Service</u>	<u>Monthly Rate</u>	
2.4 kbps DDS Per Channel Termination	\$59.65	
4.8 kbps DDS Per Channel Termination	66.29	
9.6 kbps DDS Per Channel Termination	72.89	
19.2 kbps DDS Per Channel Termination	77.22	
56 kbps DDS Per Channel Termination	80.33	
64 kbps DDS Per Channel Termination	92.80	
<u>Nonrecurring Charges</u> <u>- Per Channel Termination</u>	<u>First</u>	<u>Additional</u>
Installation/Change	\$200.00	\$120.00

# Service Offer is limited. See Footnote on page 7-232.

(N)

Issued: November 4, 2021

Effective: November 19, 2021

(This page filed under Transmittal No. 111)  
 Vice President, Government and Regulatory Affairs  
 180 S. Clinton Ave., Rochester, NY 14646

ACCESS SERVICE

---

7. Special Access Service (Cont'd)

7.5 Rates and Charges (Cont'd)

7.5.16 Term Pricing Plans# (Cont'd)

(T)

(C) 5-year Commitment Period – DDS Price Band 4

<u>Nonrecurring Charges - Per Channel Termination</u>	<u>First</u>	<u>Additional</u>
Grandfathered Market	\$ 1.00	\$ 0.75
Rearrangement Grandfathered Market	0.90	0.60

# Service Offer is limited. See Footnote on page 7-232.

(N)

---

Issued: November 4, 2021

Effective: November 19, 2021

(This page filed under Transmittal No. 111)  
 Vice President, Government and Regulatory Affairs  
 180 S. Clinton Ave., Rochester, NY 14646

ACCESS SERVICE

---

7. Special Access Service (Cont'd)

7.5 Rates and Charges (Cont'd)

7.5.16 Term Pricing Plans# (Cont'd)

(C) 5-year Commitment Period – DDS Price Band 5

(T)

<u>Nonrecurring Charges - Per Channel Termination</u>	<u>First</u>	<u>Additional</u>
Grandfathered Market	\$ 1.00	\$ 0.75
Rearrangement Grandfathered Market	0.90	0.60

# Service Offer is limited. See Footnote on page 7-232.

(N)

---

Issued: November 4, 2021

Effective: November 19, 2021

(This page filed under Transmittal No. 111)  
 Vice President, Government and Regulatory Affairs  
 180 S. Clinton Ave., Rochester, NY 14646

ACCESS SERVICE

---

7. Special Access Service (Cont'd)

7.5 Rates and Charges (Cont'd)

7.5.16 Term Pricing Plans# (Cont'd)

(T)

(C) 5-year Commitment Period – DDS Price Band 6

<u>Nonrecurring Charges - Per Channel Termination</u>	<u>First</u>	<u>Additional</u>
Grandfathered Market	\$ 1.00	\$ 0.75
Rearrangement Grandfathered Market	0.90	0.60

# Service Offer is limited. See Footnote on page 7-232.

(N)

---

Issued: November 4, 2021

Effective: November 19, 2021

(This page filed under Transmittal No. 111)  
 Vice President, Government and Regulatory Affairs  
 180 S. Clinton Ave., Rochester, NY 14646

ACCESS SERVICE

7. Special Access Service (Cont'd)

7.5 Rates and Charges (Cont'd)

7.5.16 Term Pricing Plans# (Cont'd)

(T)

(C) 5-year Commitment Period – DS1

<u>Service</u>	<u>Monthly Rate</u>	<u>Nonrecurring Charges</u>	
		<u>First</u>	<u>Additional</u>
Per Channel Termination			
1.544 Mbps/DS1			
Rate Zone 1	\$128.05		
Rate Zone 2	141.80		
Rate Zone 3	150.47		
Installation/Change			
Rate Zone 1		\$ 1.00	\$0.75
Rate Zone 2		1.00	0.75
Rate Zone 3		1.00	0.75
Grandfathered Market		1.00	0.75
Rearrangement			
Grandfathered Market		0.90	0.60

# Service Offer is limited. See Footnote on page 7-232.

(N)

Issued: November 4, 2021

Effective: November 19, 2021

(This page filed under Transmittal No. 111)  
 Vice President, Government and Regulatory Affairs  
 180 S. Clinton Ave., Rochester, NY 14646

ACCESS SERVICE

---

7. Special Access Service (Cont'd)

7.5 Rates and Charges (Cont'd)

7.5.16 Term Pricing Plans# (Cont'd)

(T)

(C) 5-year Commitment Period – DS1 (Cont'd)

# Service Offer is limited. See Footnote on page 7-232.

(N)

---

Issued: November 4, 2021

Effective: November 19, 2021

(This page filed under Transmittal No. 111)  
Vice President, Government and Regulatory Affairs  
180 S. Clinton Ave., Rochester, NY 14646

ACCESS SERVICE

7. Special Access Service (Cont'd)

7.5 Rates and Charges (Cont'd)

7.5.16 Term Pricing Plans# (Cont'd)

(T)

(D) 7-year Commitment Period DS1

<u>Service</u>	<u>Monthly Rate</u>	<u>Nonrecurring Charges</u>	
		<u>First</u>	<u>Additional</u>
Per Channel Termination			
1.544 Mbps/DS1			
Rate Zone 1	\$118.20		
Rate Zone 2	130.90		
Rate Zone 3	134.39		
Installation/Change			
Rate Zone 1		\$ 1.00	\$0.75
Rate Zone 2		1.00	0.75
Rate Zone 3		1.00	0.75
Grandfathered Market		1.00	0.75
Rearrangement			
Grandfathered Market		0.90	0.60

# Service Offer is limited. See Footnote on page 7-232.

(N)

---

ACCESS SERVICE

---

7. Special Access Service (Cont'd)

7.5 Rates and Charges (Cont'd)

7.5.16 Term Pricing Plans# (Cont'd)

(D) 7-year Commitment Period DS1 (Cont'd)

(T)

# Service Offer is limited. See Footnote on page 7-232.

(N)

---

Issued: November 4, 2021

Effective: November 19, 2021

(This page filed under Transmittal No. 111)  
Vice President, Government and Regulatory Affairs  
180 S. Clinton Ave., Rochester, NY 14646



---

ACCESS SERVICE

---

7. Special Access Service (Cont'd)

7.5 Rates and Charges (Cont'd)

7.5.17 Reserved

(C)

(D)

(D)

ACCESS SERVICE

---

7. Special Access Service (Cont'd)

7.5 Rates and Charges (Cont'd)

7.5.18 Facilities Management Service# (Cont'd)

(D)

(D)

---

ACCESS SERVICE

---

7. Special Access Service (Cont'd)

7.5 Rates and Charges (Cont'd)

7.5.18 Facilities Management Service# (Cont'd)

(D)

(D)

---

ACCESS SERVICE

---

7. Special Access Service (Cont'd)

7.5 Rates and Charges (Cont'd)

7.5.18 Facilities Management Service# (Cont'd)

(D)

(D)

ACCESS SERVICE

---

7. Special Access Service (Cont'd)

7.5 Rates and Charges (Cont'd)

7.5.18 Facilities Management Service# (Cont'd)

(D)

(D)

---

ACCESS SERVICE

---

7. Special Access Service (Cont'd)

7.5 Rates and Charges (Cont'd)

7.5.18 Facilities Management Service# (Cont'd)

(D)

(D)

---

ACCESS SERVICE

---

7. Special Access Service (Cont'd)

7.5 Rates and Charges (Cont'd)

7.5.18 Facilities Management Service# (Cont'd)

(D)

(D)

---

ACCESS SERVICE

---

7. Special Access Service (Cont'd)

7.5 Rates and Charges (Cont'd)

7.5.18 Facilities Management Service# (Cont'd)

(D)

(D)



---

ACCESS SERVICE

---

7. Special Access Service (Cont'd)

7.5 Rates and Charges (Cont'd)

7.5.18 Facilities Management Service# (Cont'd)

(D)

(D)

---

ACCESS SERVICE

---

7. Special Access Service (Cont'd)

7.5 Rates and Charges (Cont'd)

7.5.18 Facilities Management Service# (Cont'd)

(D)

(D)

ACCESS SERVICE

7. Special Access Service (Cont'd)

7.5 Rates and Charges (Cont'd)

7.5.18 Facilities Management Service# (Cont'd)

(A) Primary Premises Channel Terminations (Cont'd)  
 - per DS0 Equivalent Channel

(3) DS1 Electrical Interface

	<u>Month-to-Month</u>	<u>3 Year Plan</u>	<u>5 Year Plan</u>	
Initial 0-144 DS0 Equivalent Channels				(D)
Price Band 4	1,254.66	1,059.30	941.58	
Price Band 5	1,254.66	1,059.30	941.58	
Price Band 6	1,254.66	1,059.30	941.58	

DS0 Equivalent Channels over 144 per DS0				(D)
Price Band 4	8.71	7.36	6.54	
Price Band 5	8.71	7.36	6.54	
Price Band 6	8.71	7.36	6.54	

(4) Coordinated Retermination

Price Bands 4, 5 and 6	<u>Nonrecurring Charge</u> \$380.00	(C)
------------------------	--	-----

# Service availability limited. See # footnote on Page 7-85.

## ACCESS SERVICE

7. Special Access Service (Cont'd)7.5 Rates and Charges (Cont'd)7.5.18 Facilities Management Service# (Cont'd)(B) Primary Premises Cross-Connects

(1) DS1 Interface - a minimum of 144 DS0s are required

(a) Virtual Collocation

<u>Term</u>	<u>Monthly Rate</u>
i) Month-to-Month	\$0.00
ii) 3-Year	0.00
iii) 5-Year	0.00

(b) Physical Collocation

<u>Term</u>	<u>Monthly Rate</u>
i) Month-to-Month	0.00
ii) 3-Year	0.00
iii) 5-Year	0.00

(2) DS3 Interface  
- per DS0 Equivalent Channel, except initial minimums of 672 is required.

(a) Virtual Collocation

<u>Term</u>	<u>Monthly Rate</u>
i) Month-to-Month	0.00
ii) 3-Year	0.00
iii) 5-Year	0.00

(b) Physical Collocation

<u>Term</u>	<u>Monthly Rate</u>
i) Month-to-Month	\$0.00
ii) 3-Year	0.00
iii) 5-Year	0.00

# Service availability limited. See # footnote on Page 7-85.

ACCESS SERVICE

---

7. Special Access Service (Cont'd)

7.5 Rates and Charges (Cont'd)

7.5.18 Facilities Management Service# (Cont'd)

(B) Primary Premises Cross-Connects (Cont'd)

(2) DS3 Interface (Cont'd)

- per DS0 Equivalent Channel, except initial minimums of 672 is required.

(b) Physical Collocation

	<u>Term</u>	<u>Monthly Rate</u>
i)	Month-to-Month	\$0.00
ii)	3-Year	0.00
iii)	5-Year	0.00

(D)

(D)

# Service availability limited. See # footnote on Page 7-85.

---

ACCESS SERVICE

---

7. Special Access Service (Cont'd)

7.5 Rates and Charges (Cont'd)

7.5.18 Facilities Management Service# (Cont'd)

(D)

(D)

ACCESS SERVICE

---

7. Special Access Service (Cont'd)

7.5 Rates and Charges (Cont'd)

7.5.18 Facilities Management Service# (Cont'd)

(D)

(D)

---

ACCESS SERVICE

---

7. Special Access Service (Cont'd)7.5 Rates and Charges (Cont'd)7.5.18 Facilities Management Service# (Cont'd)(E) Administration  
- per DS0 Equivalent

	<u>Monthly Rate</u>	
(1) DS1 Interface		
Month-to-Month		
Price Band 4	2.70	(D)
Price Band 5	2.70	
Price Band 6	2.70	
3 Year Plan		
Price Band 4	2.70	(D)
Price Band 5	2.70	
Price Band 6	2.70	
5 Year Plan		
Price Band 4	2.70	(D)
Price Band 5	2.70	
Price Band 6	2.70	
(2) DS3 Interface		
Month-to-Month		
Price Band 4	0.55	(D)
Price Band 5	0.55	
Price Band 6	0.55	
3 Year Plan		
Price Band 4	0.55	(D)
Price Band 5	0.55	
Price Band 6	0.55	
5 Year Plan		
Price Band 4	0.55	(D)
Price Band 5	0.55	
Price Band 6	0.55	

7.5.19 Reserved

# Service availability limited. See # footnote on Page 7-85.

Issued: November 6, 2017

Effective: November 21, 2017

(This page filed under Transmittal No. 78)  
 Vice President, Government and Regulatory Affairs  
 180 S. Clinton Ave., Rochester, NY 14646



---

ACCESS SERVICE

---

- 7. Special Access Service (Cont'd)
  - 7.5 Rates and Charges (Cont'd)
    - 7.5.20 Reserved

(D)

(D)

ACCESS SERVICE

---

- 7. Special Access Service (Cont'd)
  - 7.5 Rates and Charges (Cont'd)
    - 7.5.20 Reserved

(D)

(D)

---

ACCESS SERVICE

---

- 7. Special Access Service (Cont'd)
  - 7.5 Rates and Charges (Cont'd)
    - 7.5.20 Reserved

(D)

(D)

ACCESS SERVICE

---

- 7. Special Access Service (Cont'd)
  - 7.5 Rates and Charges (Cont'd)
    - 7.5.20 Reserved

(D)

(D)

ACCESS SERVICE

---

- 7. Special Access Service (Cont'd)
  - 7.5 Rates and Charges (Cont'd)
    - 7.5.21 Reserved

(D)

(D)

ACCESS SERVICE

---

- 7. Special Access Service (Cont'd)
  - 7.5 Rates and Charges (Cont'd)
    - 7.5.21 Reserved

(D)

(D)

ACCESS SERVICE

---

- 7. Special Access Service (Cont'd)
  - 7.5 Rates and Charges (Cont'd)
    - 7.5.21 Reserved

(D)

(D)

---

ACCESS SERVICE

---

- 7. Special Access Service (Cont'd)
  - 7.5 Rates and Charges (Cont'd)
    - 7.5.21 Reserved

(D)

(D)



ACCESS SERVICE

---

- 7. Special Access Service (Cont'd)
  - 7.5 Rates and Charges (Cont'd)
    - 7.5.21 Reserved

(D)

(D)

---

ACCESS SERVICE

---

- 7. Special Access Service (Cont'd)
  - 7.5 Rates and Charges (Cont'd)
    - 7.5.21 Reserved

(D)

(D)

ACCESS SERVICE

---

- 7. Special Access Service (Cont'd)
  - 7.5 Rates and Charges (Cont'd)
    - 7.5.21 Reserved

(D)

(D)

---

ACCESS SERVICE

---

- 7. Special Access Service (Cont'd)
  - 7.5 Rates and Charges (Cont'd)
    - 7.5.21 Reserved

(D)

(D)

---

ACCESS SERVICE

---

- 7. Special Access Service (Cont'd)
  - 7.5 Rates and Charges (Cont'd)
    - 7.5.21 Reserved

(D)

(D)

---

ACCESS SERVICE

---

- 7. Special Access Service (Cont'd)
  - 7.5 Rates and Charges (Cont'd)
    - 7.5.21 Reserved

(D)

(D)

ACCESS SERVICE

---

- 7. Special Access Service (Cont'd)
  - 7.5 Rates and Charges (Cont'd)
    - 7.5.21 Reserved

(D)

(D)

ACCESS SERVICE

---

- 7. Special Access Service (Cont'd)
  - 7.5 Rates and Charges (Cont'd)
    - 7.5.21 Reserved

(D)

(D)



---

ACCESS SERVICE

---

- 7. Special Access Service (Cont'd)
  - 7.5 Rates and Charges (Cont'd)
    - 7.5.21 Reserved

(D)

(D)

---

ACCESS SERVICE

---

- 7. Special Access Service (Cont'd)
  - 7.5 Rates and Charges (Cont'd)
    - 7.5.21 Reserved

(D)

(D)

---

ACCESS SERVICE

---

- 7. Special Access Service (Cont'd)
  - 7.5 Rates and Charges (Cont'd)
    - 7.5.21 Reserved

(D)

(D)

---

ACCESS SERVICE

---

- 7. Special Access Service (Cont'd)
  - 7.5 Rates and Charges (Cont'd)
    - 7.5.21 Reserved

(D)

(D)

---

ACCESS SERVICE

---

- 7. Special Access Service (Cont'd)
  - 7.5 Rates and Charges (Cont'd)
    - 7.5.21 Reserved

(D)

(D)

ACCESS SERVICE

---

- 7. Special Access Service (Cont'd)
  - 7.5 Rates and Charges (Cont'd)
    - 7.5.21 Reserved

(D)

(D)

---

ACCESS SERVICE

---

- 7. Special Access Service (Cont'd)
  - 7.5 Rates and Charges (Cont'd)
    - 7.5.21 Reserved

(D)

(D)

---

ACCESS SERVICE

---

- 7. Special Access Service (Cont'd)
  - 7.5 Rates and Charges (Cont'd)
    - 7.5.21 Reserved

(D)

(D)



---

ACCESS SERVICE

---

- 7. Special Access Service (Cont'd)
  - 7.5 Rates and Charges (Cont'd)
    - 7.5.21 Reserved

(D)

(D)

ACCESS SERVICE

---

- 7. Special Access Service (Cont'd)
  - 7.5 Rates and Charges (Cont'd)
    - 7.5.21 Reserved

(D)

(D)

---

ACCESS SERVICE

---

- 7. Special Access Service (Cont'd)
  - 7.5 Rates and Charges (Cont'd)
    - 7.5.21 Reserved

(D)

(D)

---

ACCESS SERVICE

---

- 7. Special Access Service (Cont'd)
  - 7.5 Rates and Charges (Cont'd)
    - 7.5.21 Reserved

(D)

(D)

---

ACCESS SERVICE

---

- 7. Special Access Service (Cont'd)
  - 7.5 Rates and Charges (Cont'd)
    - 7.5.21 Reserved

(D)

(D)

ACCESS SERVICE

---

- 7. Special Access Service (Cont'd)
  - 7.5 Rates and Charges (Cont'd)
    - 7.5.21 Reserved

(D)

(D)

---

ACCESS SERVICE

---

- 7. Special Access Service (Cont'd)
  - 7.5 Rates and Charges (Cont'd)
    - 7.5.21 Reserved

(D)

(D)

---

ACCESS SERVICE

---

- 7. Special Access Service (Cont'd)
  - 7.5 Rates and Charges (Cont'd)
    - 7.5.21 Reserved

(D)

(D)



---

ACCESS SERVICE

---

- 7. Special Access Service (Cont'd)
  - 7.5 Rates and Charges (Cont'd)
    - 7.5.21 Reserved

(D)

(D)

---

ACCESS SERVICE

---

- 7. Special Access Service (Cont'd)
  - 7.5 Rates and Charges (Cont'd)
    - 7.5.21 Reserved

(D)

(D)

---

ACCESS SERVICE

---

- 7. Special Access Service (Cont'd)
  - 7.5 Rates and Charges (Cont'd)
    - 7.5.21 Reserved

(D)

(D)

---

ACCESS SERVICE

---

- 7. Special Access Service (Cont'd)
  - 7.5 Rates and Charges (Cont'd)
    - 7.5.21 Reserved

(D)

(D)

---

ACCESS SERVICE

---

- 7. Special Access Service (Cont'd)
  - 7.5 Rates and Charges (Cont'd)
    - 7.5.21 Reserved

(D)

(D)

---

ACCESS SERVICE

---

- 7. Special Access Service (Cont'd)
  - 7.5 Rates and Charges (Cont'd)
    - 7.5.21 Reserved

(D)

(D)

---

ACCESS SERVICE

---

- 7. Special Access Service (Cont'd)
  - 7.5 Rates and Charges (Cont'd)
    - 7.5.21 Reserved

(D)

(D)

---

ACCESS SERVICE

---

- 7. Special Access Service (Cont'd)
  - 7.5 Rates and Charges (Cont'd)
    - 7.5.21 Reserved

(D)

(D)



---

ACCESS SERVICE

---

- 7. Special Access Service (Cont'd)
  - 7.5 Rates and Charges (Cont'd)
    - 7.5.21 Reserved

(D)

(D)

---

ACCESS SERVICE

---

- 7. Special Access Service (Cont'd)
  - 7.5 Rates and Charges (Cont'd)
    - 7.5.21 Reserved

(D)

(D)

---

ACCESS SERVICE

---

- 7. Special Access Service (Cont'd)
  - 7.5 Rates and Charges (Cont'd)
    - 7.5.21 Reserved

(D)

(D)

---

ACCESS SERVICE

---

- 7. Special Access Service (Cont'd)
  - 7.5 Rates and Charges (Cont'd)
    - 7.5.21 Reserved

(D)

(D)

---

ACCESS SERVICE

---

- 7. Special Access Service (Cont'd)
  - 7.5 Rates and Charges (Cont'd)
    - 7.5.21 Reserved

(D)

(D)

---

ACCESS SERVICE

---

- 7. Special Access Service (Cont'd)
  - 7.5 Rates and Charges (Cont'd)
    - 7.5.21 Reserved

(D)

(D)

---

ACCESS SERVICE

---

- 7. Special Access Service (Cont'd)
  - 7.5 Rates and Charges (Cont'd)
    - 7.5.21 Reserved

(D)

(D)

ACCESS SERVICE

---

- 7. Special Access Service (Cont'd)
  - 7.5 Rates and Charges (Cont'd)
    - 7.5.21 Reserved

(D)

(D)



---

ACCESS SERVICE

---

- 7. Special Access Service (Cont'd)
  - 7.5 Rates and Charges (Cont'd)
    - 7.5.21 Reserved

(D)

(D)

---

ACCESS SERVICE

---

- 7. Special Access Service (Cont'd)
  - 7.5 Rates and Charges (Cont'd)
    - 7.5.21 Reserved

(D)

(D)

---

ACCESS SERVICE

---

- 7. Special Access Service (Cont'd)
  - 7.5 Rates and Charges (Cont'd)
    - 7.5.21 Reserved

(D)

(D)

---

ACCESS SERVICE

---

- 7. Special Access Service (Cont'd)
  - 7.5 Rates and Charges (Cont'd)
    - 7.5.21 Reserved

(D)

(D)

---

ACCESS SERVICE

---

- 7. Special Access Service (Cont'd)
  - 7.5 Rates and Charges (Cont'd)
    - 7.5.21 Reserved

(D)

(D)

---

ACCESS SERVICE

---

- 7. Special Access Service (Cont'd)
  - 7.5 Rates and Charges (Cont'd)
    - 7.5.21 Reserved

(D)

(D)

---

ACCESS SERVICE

---

- 7. Special Access Service (Cont'd)
  - 7.5 Rates and Charges (Cont'd)
    - 7.5.21 Reserved

(D)

(D)

---

ACCESS SERVICE

---

- 7. Special Access Service (Cont'd)
  - 7.5 Rates and Charges (Cont'd)
    - 7.5.21 Reserved

(D)

(D)



ACCESS SERVICE

---

- 7. Special Access Service (Cont'd)
  - 7.5 Rates and Charges (Cont'd)
    - 7.5.21 Reserved

(D)

(D)

---

ACCESS SERVICE

---

- 7. Special Access Service (Cont'd)
  - 7.5 Rates and Charges (Cont'd)
    - 7.5.21 Reserved

(D)

(D)

ACCESS SERVICE

---

- 7. Special Access Service (Cont'd)
  - 7.5 Rates and Charges (Cont'd)
    - 7.5.21 Reserved

(D)

(D)

---

ACCESS SERVICE

---

- 7. Special Access Service (Cont'd)
  - 7.5 Rates and Charges (Cont'd)
    - 7.5.21 Reserved

(D)

(D)

ACCESS SERVICE

---

- 7. Special Access Service (Cont'd)
  - 7.5 Rates and Charges (Cont'd)
    - 7.5.21 Reserved

(D)

(D)

---

ACCESS SERVICE

---

- 7. Special Access Service (Cont'd)
  - 7.5 Rates and Charges (Cont'd)
    - 7.5.21 Reserved

(D)

(D)

---

ACCESS SERVICE

---

- 7. Special Access Service (Cont'd)
  - 7.5 Rates and Charges (Cont'd)
    - 7.5.21 Reserved

(D)

(D)

---

ACCESS SERVICE

---

- 7. Special Access Service (Cont'd)
  - 7.5 Rates and Charges (Cont'd)
    - 7.5.21 Reserved

(D)

(D)



ACCESS SERVICE

---

- 7. Special Access Service (Cont'd)
  - 7.5 Rates and Charges (Cont'd)
    - 7.5.21 Reserved

(D)

(D)

---

ACCESS SERVICE

---

- 7. Special Access Service (Cont'd)
  - 7.5 Rates and Charges (Cont'd)
    - 7.5.21 Reserved

(D)

(D)

---

ACCESS SERVICE

---

- 7. Special Access Service (Cont'd)
  - 7.5 Rates and Charges (Cont'd)
    - 7.5.21 Reserved

(D)

(D)

---

ACCESS SERVICE

---

- 7. Special Access Service (Cont'd)
  - 7.5 Rates and Charges (Cont'd)
    - 7.5.21 Reserved

(D)

(D)

ACCESS SERVICE

---

- 7. Special Access Service (Cont'd)
  - 7.5 Rates and Charges (Cont'd)
    - 7.5.21 Reserved

(D)

(D)

ACCESS SERVICE

---

- 7. Special Access Service (Cont'd)
  - 7.5 Rates and Charges (Cont'd)
    - 7.5.21 Reserved

(D)

(D)

---

ACCESS SERVICE

---

- 7. Special Access Service (Cont'd)
  - 7.5 Rates and Charges (Cont'd)
    - 7.5.21 Reserved

(D)

(D)

---

ACCESS SERVICE

---

- 7. Special Access Service (Cont'd)
  - 7.5 Rates and Charges (Cont'd)
    - 7.5.21 Reserved

(D)

(D)



---

ACCESS SERVICE

---

- 7. Special Access Service (Cont'd)
  - 7.5 Rates and Charges (Cont'd)
    - 7.5.21 Reserved

(D)

(D)

---

ACCESS SERVICE

---

- 7. Special Access Service (Cont'd)
  - 7.5 Rates and Charges (Cont'd)
    - 7.5.22 Reserved

(D)

(D)

---

ACCESS SERVICE

---

- 7. Special Access Service (Cont'd)
  - 7.5 Rates and Charges (Cont'd)
    - 7.5.22 Reserved

(D)

(D)

---

ACCESS SERVICE

---

- 7. Special Access Service (Cont'd)
  - 7.5 Rates and Charges (Cont'd)
    - 7.5.22 Reserved

(D)

(D)

---

ACCESS SERVICE

---

- 7. Special Access Service (Cont'd)
  - 7.5 Rates and Charges (Cont'd)
    - 7.5.22 Reserved

(D)

(D)

---

ACCESS SERVICE

---

- 7. Special Access Service (Cont'd)
  - 7.5 Rates and Charges (Cont'd)
    - 7.5.22 Reserved

(D)

(D)

ACCESS SERVICE

---

- 7. Special Access Service (Cont'd)
  - 7.5 Rates and Charges (Cont'd)
    - 7.5.22 Reserved

(D)

(D)

---

ACCESS SERVICE

---

- 7. Special Access Service (Cont'd)
  - 7.5 Rates and Charges (Cont'd)
    - 7.5.22 Reserved

(D)

(D)



---

ACCESS SERVICE

---

- 7. Special Access Service (Cont'd)
  - 7.5 Rates and Charges (Cont'd)
    - 7.5.23 Reserved

(D)

(D)

---

ACCESS SERVICE

---

- 7. Special Access Service (Cont'd)
  - 7.5 Rates and Charges (Cont'd)
    - 7.5.23 Reserved

(D)

(D)

---

ACCESS SERVICE

---

- 7. Special Access Service (Cont'd)
  - 7.5 Rates and Charges (Cont'd)
    - 7.5.23 Reserved

(D)

(D)

---

ACCESS SERVICE

---

- 7. Special Access Service (Cont'd)
  - 7.5 Rates and Charges (Cont'd)
    - 7.5.24 Reserved

(D)

(D)

ACCESS SERVICE

---

- 7. Special Access Service (Cont'd)
  - 7.5 Rates and Charges (Cont'd)
    - 7.5.24 Reserved

(D)

(D)

---

ACCESS SERVICE

---

- 7. Special Access Service (Cont'd)
  - 7.5 Rates and Charges (Cont'd)
    - 7.5.24 Reserved

(D)

(D)

---

ACCESS SERVICE

---

- 7. Special Access Service (Cont'd)
  - 7.5 Rates and Charges (Cont'd)
    - 7.5.24 Reserved

(D)

(D)

---

ACCESS SERVICE

---

- 7. Special Access Service (Cont'd)
  - 7.5 Rates and Charges (Cont'd)
    - 7.5.24 Reserved

(D)

(D)



---

ACCESS SERVICE

---

- 7. Special Access Service (Cont'd)
  - 7.5 Rates and Charges (Cont'd)
    - 7.5.24 Reserved

(D)

(D)

---

ACCESS SERVICE

---

- 7. Special Access Service (Cont'd)
  - 7.5 Rates and Charges (Cont'd)
    - 7.5.24 Reserved

(D)

(D)

---

ACCESS SERVICE

---

- 7. Special Access Service (Cont'd)
  - 7.5 Rates and Charges (Cont'd)
    - 7.5.24 Reserved

(D)

(D)

---

ACCESS SERVICE

---

- 7. Special Access Service (Cont'd)
  - 7.5 Rates and Charges (Cont'd)
    - 7.5.24 Reserved

(D)

(D)

---

ACCESS SERVICE

---

- 7. Special Access Service (Cont'd)
  - 7.5 Rates and Charges (Cont'd)
    - 7.5.24 Reserved

(D)

(D)

---

ACCESS SERVICE

---

- 7. Special Access Service (Cont'd)
  - 7.5 Rates and Charges (Cont'd)
    - 7.5.24 Reserved

(D)

(D)

---

ACCESS SERVICE

---

- 7. Special Access Service (Cont'd)
  - 7.5 Rates and Charges (Cont'd)
    - 7.5.24 Reserved

(D)

(D)

---

ACCESS SERVICE

---

- 7. Special Access Service (Cont'd)
  - 7.5 Rates and Charges (Cont'd)
    - 7.5.24 Reserved

(D)

(D)



---

ACCESS SERVICE

---

- 7. Special Access Service (Cont'd)
  - 7.5 Rates and Charges (Cont'd)
    - 7.5.24 Reserved

(D)

(D)

---

ACCESS SERVICE

---

- 7. Special Access Service (Cont'd)
  - 7.5 Rates and Charges (Cont'd)
    - 7.5.24 Reserved

(D)

(D)

---

ACCESS SERVICE

---

- 7. Special Access Service (Cont'd)
  - 7.5 Rates and Charges (Cont'd)
    - 7.5.24 Reserved

(D)

(D)

---

ACCESS SERVICE

---

- 7. Special Access Service (Cont'd)
  - 7.5 Rates and Charges (Cont'd)
    - 7.5.24 Reserved

(D)

(D)

---

ACCESS SERVICE

---

- 7. Special Access Service (Cont'd)
  - 7.5 Rates and Charges (Cont'd)
    - 7.5.24 Reserved

(D)

(D)

---

ACCESS SERVICE

---

- 7. Special Access Service (Cont'd)
  - 7.5 Rates and Charges (Cont'd)
    - 7.5.24 Reserved

(D)

(D)

---

ACCESS SERVICE

---

- 7. Special Access Service (Cont'd)
  - 7.5 Rates and Charges (Cont'd)
    - 7.5.24 Reserved

(D)

(D)

---

ACCESS SERVICE

---

- 7. Special Access Service (Cont'd)
  - 7.5 Rates and Charges (Cont'd)
    - 7.5.24 Reserved

(D)

(D)



---

ACCESS SERVICE

---

- 7. Special Access Service (Cont'd)
  - 7.5 Rates and Charges (Cont'd)
    - 7.5.24 Reserved

(D)

(D)

---

ACCESS SERVICE

---

- 7. Special Access Service (Cont'd)
  - 7.5 Rates and Charges (Cont'd)
    - 7.5.24 Reserved

(D)

(D)

---

ACCESS SERVICE

---

- 7. Special Access Service (Cont'd)
  - 7.5 Rates and Charges (Cont'd)
    - 7.5.24 Reserved

(D)

(D)

ACCESS SERVICE

---

- 7. Special Access Service (Cont'd)
  - 7.5 Rates and Charges (Cont'd)
    - 7.5.24 Reserved

(D)

(D)

---

ACCESS SERVICE

---

- 7. Special Access Service (Cont'd)
  - 7.5 Rates and Charges (Cont'd)
    - 7.5.24 Reserved

(D)

(D)

---

ACCESS SERVICE

---

- 7. Special Access Service (Cont'd)
  - 7.5 Rates and Charges (Cont'd)
    - 7.5.24 Reserved

(D)

(D)

---

ACCESS SERVICE

---

- 7. Special Access Service (Cont'd)
  - 7.5 Rates and Charges (Cont'd)
    - 7.5.24 Reserved

(D)

(D)

---

ACCESS SERVICE

---

- 7. Special Access Service (Cont'd)
  - 7.5 Rates and Charges (Cont'd)
    - 7.5.24 Reserved

(D)

(D)



---

ACCESS SERVICE

---

- 7. Special Access Service (Cont'd)
  - 7.5 Rates and Charges (Cont'd)
    - 7.5.24 Reserved

(D)

(D)

---

ACCESS SERVICE

---

- 7. Special Access Service (Cont'd)
  - 7.5 Rates and Charges (Cont'd)
    - 7.5.24 Reserved

(D)

(D)

---

ACCESS SERVICE

---

- 7. Special Access Service (Cont'd)
  - 7.5 Rates and Charges (Cont'd)
    - 7.5.24 Reserved

(D)

(D)

---

ACCESS SERVICE

---

- 7. Special Access Service (Cont'd)
  - 7.5 Rates and Charges (Cont'd)
    - 7.5.24 Reserved

(D)

(D)

---

ACCESS SERVICE

---

- 7. Special Access Service (Cont'd)
  - 7.5 Rates and Charges (Cont'd)
    - 7.5.24 Reserved

(D)

(D)

---

ACCESS SERVICE

---

- 7. Special Access Service (Cont'd)
  - 7.5 Rates and Charges (Cont'd)
    - 7.5.24 Reserved

(D)

(D)

---

ACCESS SERVICE

---

- 7. Special Access Service (Cont'd)
  - 7.5 Rates and Charges (Cont'd)
    - 7.5.24 Reserved

(D)

(D)

ACCESS SERVICE

---

- 7. Special Access Service (Cont'd)
  - 7.5 Rates and Charges (Cont'd)
    - 7.5.24 Reserved

(D)

(D)



---

ACCESS SERVICE

---

- 7. Special Access Service (Cont'd)
  - 7.5 Rates and Charges (Cont'd)
    - 7.5.24 Reserved

(D)

(D)

---

ACCESS SERVICE

---

- 7. Special Access Service (Cont'd)
  - 7.5 Rates and Charges (Cont'd)
    - 7.5.24 Reserved

(D)

(D)

---

ACCESS SERVICE

---

- 7. Special Access Service (Cont'd)
  - 7.5 Rates and Charges (Cont'd)
    - 7.5.24 Reserved

(D)

(D)

---

ACCESS SERVICE

---

- 7. Special Access Service (Cont'd)
  - 7.5 Rates and Charges (Cont'd)
    - 7.5.24 Reserved

(D)

(D)

---

ACCESS SERVICE

---

- 7. Special Access Service (Cont'd)
  - 7.5 Rates and Charges (Cont'd)
    - 7.5.24 Reserved

(D)

(D)

---

ACCESS SERVICE

---

- 7. Special Access Service (Cont'd)
  - 7.5 Rates and Charges (Cont'd)
    - 7.5.24 Reserved

(D)

(D)

---

ACCESS SERVICE

---

- 7. Special Access Service (Cont'd)
  - 7.5 Rates and Charges (Cont'd)
    - 7.5.24 Reserved

(D)

(D)

---

ACCESS SERVICE

---

- 7. Special Access Service (Cont'd)
  - 7.5 Rates and Charges (Cont'd)
    - 7.5.24 Reserved

(D)

(D)



---

ACCESS SERVICE

---

- 7. Special Access Service (Cont'd)
  - 7.5 Rates and Charges (Cont'd)
    - 7.5.24 Reserved

(D)

(D)

---

ACCESS SERVICE

---

- 7. Special Access Service (Cont'd)
  - 7.5 Rates and Charges (Cont'd)
    - 7.5.24 Reserved

(D)

(D)

---

ACCESS SERVICE

---

- 7. Special Access Service (Cont'd)
  - 7.5 Rates and Charges (Cont'd)
    - 7.5.24 Reserved

(D)

(D)

---

ACCESS SERVICE

---

- 7. Special Access Service (Cont'd)
  - 7.5 Rates and Charges (Cont'd)
    - 7.5.24 Reserved

(D)

(D)

---

ACCESS SERVICE

---

- 7. Special Access Service (Cont'd)
  - 7.5 Rates and Charges (Cont'd)
    - 7.5.24 Reserved

(D)

(D)

---

ACCESS SERVICE

---

- 7. Special Access Service (Cont'd)
  - 7.5 Rates and Charges (Cont'd)
    - 7.5.24 Reserved

(D)

(D)

ACCESS SERVICE

---

- 7. Special Access Service (Cont'd)
  - 7.5 Rates and Charges (Cont'd)
    - 7.5.24 Reserved

(D)

(D)

---

ACCESS SERVICE

---

- 7. Special Access Service (Cont'd)
  - 7.5 Rates and Charges (Cont'd)
    - 7.5.24 Reserved

(D)

(D)



---

ACCESS SERVICE

---

- 7. Special Access Service (Cont'd)
  - 7.5 Rates and Charges (Cont'd)
    - 7.5.24 Reserved

(D)

(D)

---

ACCESS SERVICE

---

- 7. Special Access Service (Cont'd)
  - 7.5 Rates and Charges (Cont'd)
    - 7.5.24 Reserved

(D)

(D)

---

ACCESS SERVICE

---

- 7. Special Access Service (Cont'd)
  - 7.5 Rates and Charges (Cont'd)
    - 7.5.24 Reserved

(D)

(D)

ACCESS SERVICE

---

- 7. Special Access Service (Cont'd)
  - 7.5 Rates and Charges (Cont'd)
    - 7.5.24 Reserved

(D)

(D)

---

ACCESS SERVICE

---

- 7. Special Access Service (Cont'd)
  - 7.5 Rates and Charges (Cont'd)
    - 7.5.24 Reserved

(D)

(D)

---

ACCESS SERVICE

---

- 7. Special Access Service (Cont'd)
  - 7.5 Rates and Charges (Cont'd)
    - 7.5.24 Reserved

(D)

(D)

---

ACCESS SERVICE

---

- 7. Special Access Service (Cont'd)
  - 7.5 Rates and Charges (Cont'd)
    - 7.5.24 Reserved

(D)

(D)

---

ACCESS SERVICE

---

- 7. Special Access Service (Cont'd)
  - 7.5 Rates and Charges (Cont'd)
    - 7.5.24 Reserved

(D)

(D)



ACCESS SERVICE

---

- 7. Special Access Service (Cont'd)
  - 7.5 Rates and Charges (Cont'd)
    - 7.5.24 Reserved

(D)

(D)

---

ACCESS SERVICE

---

- 7. Special Access Service (Cont'd)
  - 7.5 Rates and Charges (Cont'd)
    - 7.5.24 Reserved

(D)

(D)

---

ACCESS SERVICE

---

- 7. Special Access Service (Cont'd)
  - 7.5 Rates and Charges (Cont'd)
    - 7.5.24 Reserved

(D)

(D)

---

ACCESS SERVICE

---

- 7. Special Access Service (Cont'd)
  - 7.5 Rates and Charges (Cont'd)
    - 7.5.24 Reserved

(D)

(D)

---

ACCESS SERVICE

---

- 7. Special Access Service (Cont'd)
  - 7.5 Rates and Charges (Cont'd)
    - 7.5.24 Reserved

(D)

(D)

---

ACCESS SERVICE

---

- 7. Special Access Service (Cont'd)
  - 7.5 Rates and Charges (Cont'd)
    - 7.5.24 Reserved

(D)

(D)

---

ACCESS SERVICE

---

- 7. Special Access Service (Cont'd)
  - 7.5 Rates and Charges (Cont'd)
    - 7.5.24 Reserved

(D)

(D)

ACCESS SERVICE

---

- 7. Special Access Service (Cont'd)
  - 7.5 Rates and Charges (Cont'd)
    - 7.5.24 Reserved

(D)

(D)



---

ACCESS SERVICE

---

- 7. Special Access Service (Cont'd)
  - 7.5 Rates and Charges (Cont'd)
    - 7.5.24 Reserved

(D)

(D)

---

ACCESS SERVICE

---

- 7. Special Access Service (Cont'd)
  - 7.5 Rates and Charges (Cont'd)
    - 7.5.24 Reserved

(D)

(D)

---

ACCESS SERVICE

---

- 7. Special Access Service (Cont'd)
  - 7.5 Rates and Charges (Cont'd)
    - 7.5.24 Reserved

(D)

(D)

---

ACCESS SERVICE

---

- 7. Special Access Service (Cont'd)
  - 7.5 Rates and Charges (Cont'd)
    - 7.5.24 Reserved

(D)

(D)

---

ACCESS SERVICE

---

- 7. Special Access Service (Cont'd)
  - 7.5 Rates and Charges (Cont'd)
    - 7.5.24 Reserved

(D)

(D)

---

ACCESS SERVICE

---

- 7. Special Access Service (Cont'd)
  - 7.5 Rates and Charges (Cont'd)
    - 7.5.24 Reserved

(D)

(D)

---

ACCESS SERVICE

---

- 7. Special Access Service (Cont'd)
  - 7.5 Rates and Charges (Cont'd)
    - 7.5.24 Reserved

(D)

(D)

---

ACCESS SERVICE

---

- 7. Special Access Service (Cont'd)
  - 7.5 Rates and Charges (Cont'd)
    - 7.5.24 Reserved

(D)

(D)



---

ACCESS SERVICE

---

- 7. Special Access Service (Cont'd)
  - 7.5 Rates and Charges (Cont'd)
    - 7.5.24 Reserved

(D)

(D)

ACCESS SERVICE

---

- 7. Special Access Service (Cont'd)
  - 7.5 Rates and Charges (Cont'd)
    - 7.5.24 Reserved

(D)

(D)

---

ACCESS SERVICE

---

- 7. Special Access Service (Cont'd)
  - 7.5 Rates and Charges (Cont'd)
    - 7.5.24 Reserved

(D)

(D)

---

ACCESS SERVICE

---

- 7. Special Access Service (Cont'd)
  - 7.5 Rates and Charges (Cont'd)
    - 7.5.24 Reserved

(D)

(D)

---

ACCESS SERVICE

---

- 7. Special Access Service (Cont'd)
  - 7.5 Rates and Charges (Cont'd)
    - 7.5.24 Reserved

(D)

(D)

---

ACCESS SERVICE

---

- 7. Special Access Service (Cont'd)
  - 7.5 Rates and Charges (Cont'd)
    - 7.5.24 Reserved

(D)

(D)

ACCESS SERVICE

---

- 7. Special Access Service (Cont'd)
  - 7.5 Rates and Charges (Cont'd)
    - 7.5.24 Reserved

(D)

(D)

---

ACCESS SERVICE

---

- 7. Special Access Service (Cont'd)
  - 7.5 Rates and Charges (Cont'd)
    - 7.5.24 Reserved

(D)

(D)



---

ACCESS SERVICE

---

- 7. Special Access Service (Cont'd)
  - 7.5 Rates and Charges (Cont'd)
    - 7.5.24 Reserved

(D)

(D)

ACCESS SERVICE

---

- 7. Special Access Service (Cont'd)
  - 7.5 Rates and Charges (Cont'd)
    - 7.5.24 Reserved

(D)

(D)

---

ACCESS SERVICE

---

- 7. Special Access Service (Cont'd)
  - 7.5 Rates and Charges (Cont'd)
    - 7.5.24 Reserved

(D)

(D)

---

ACCESS SERVICE

---

- 7. Special Access Service (Cont'd)
  - 7.5 Rates and Charges (Cont'd)
    - 7.5.24 Reserved

(D)

(D)

ACCESS SERVICE

---

- 7. Special Access Service (Cont'd)
  - 7.5 Rates and Charges (Cont'd)
    - 7.5.24 Reserved

(D)

(D)

---

ACCESS SERVICE

---

- 7. Special Access Service (Cont'd)
  - 7.5 Rates and Charges (Cont'd)
    - 7.5.24 Reserved

(D)

(D)

---

ACCESS SERVICE

---

- 7. Special Access Service (Cont'd)
  - 7.5 Rates and Charges (Cont'd)
    - 7.5.24 Reserved

(D)

(D)

---

ACCESS SERVICE

---

- 7. Special Access Service (Cont'd)
  - 7.5 Rates and Charges (Cont'd)
    - 7.5.24 Reserved

(D)

(D)



ACCESS SERVICE

---

- 7. Special Access Service (Cont'd)
  - 7.5 Rates and Charges (Cont'd)
    - 7.5.24 Reserved

(D)

(D)

---

ACCESS SERVICE

---

- 7. Special Access Service (Cont'd)
  - 7.5 Rates and Charges (Cont'd)
    - 7.5.24 Reserved

(D)

(D)

---

ACCESS SERVICE

---

- 7. Special Access Service (Cont'd)
  - 7.5 Rates and Charges (Cont'd)
    - 7.5.24 Reserved

(D)

(D)

---

ACCESS SERVICE

---

- 7. Special Access Service (Cont'd)
  - 7.5 Rates and Charges (Cont'd)
    - 7.5.24 Reserved

(D)

(D)

---

ACCESS SERVICE

---

- 7. Special Access Service (Cont'd)
  - 7.5 Rates and Charges (Cont'd)
    - 7.5.24 Reserved

(D)

(D)

---

ACCESS SERVICE

---

- 7. Special Access Service (Cont'd)
  - 7.5 Rates and Charges (Cont'd)
    - 7.5.24 Reserved

(D)

(D)

---

ACCESS SERVICE

---

- 7. Special Access Service (Cont'd)
  - 7.5 Rates and Charges (Cont'd)
    - 7.5.24 Reserved

(D)

(D)

---

ACCESS SERVICE

---

- 7. Special Access Service (Cont'd)
  - 7.5 Rates and Charges (Cont'd)
    - 7.5.24 Reserved

(D)

(D)



---

ACCESS SERVICE

---

- 7. Special Access Service (Cont'd)
  - 7.5 Rates and Charges (Cont'd)
    - 7.5.24 Reserved

(D)

(D)

---

ACCESS SERVICE

---

- 7. Special Access Service (Cont'd)
  - 7.5 Rates and Charges (Cont'd)
    - 7.5.24 Reserved

(D)

(D)

---

ACCESS SERVICE

---

- 7. Special Access Service (Cont'd)
  - 7.5 Rates and Charges (Cont'd)
    - 7.5.24 Reserved

(D)

(D)

---

ACCESS SERVICE

---

- 7. Special Access Service (Cont'd)
  - 7.5 Rates and Charges (Cont'd)
    - 7.5.24 Reserved

(D)

(D)

ACCESS SERVICE

---

- 7. Special Access Service (Cont'd)
  - 7.5 Rates and Charges (Cont'd)
    - 7.5.24 Reserved

(D)

(D)

---

ACCESS SERVICE

---

- 7. Special Access Service (Cont'd)
  - 7.5 Rates and Charges (Cont'd)
    - 7.5.24 Reserved

(D)

(D)

---

ACCESS SERVICE

---

- 7. Special Access Service (Cont'd)
  - 7.5 Rates and Charges (Cont'd)
    - 7.5.24 Reserved

(D)

(D)

---

ACCESS SERVICE

---

- 7. Special Access Service (Cont'd)
  - 7.5 Rates and Charges (Cont'd)
    - 7.5.24 Reserved

(D)

(D)



---

ACCESS SERVICE

---

- 7. Special Access Service (Cont'd)
  - 7.5 Rates and Charges (Cont'd)
    - 7.5.24 Reserved

(D)

(D)

---

ACCESS SERVICE

---

- 7. Special Access Service (Cont'd)
  - 7.5 Rates and Charges (Cont'd)
    - 7.5.24 Reserved

(D)

(D)

---

ACCESS SERVICE

---

- 7. Special Access Service (Cont'd)
  - 7.5 Rates and Charges (Cont'd)
    - 7.5.24 Reserved

(D)

(D)

ACCESS SERVICE

---

- 7. Special Access Service (Cont'd)
  - 7.5 Rates and Charges (Cont'd)
    - 7.5.24 Reserved

(D)

(D)

---

ACCESS SERVICE

---

- 7. Special Access Service (Cont'd)
  - 7.5 Rates and Charges (Cont'd)
    - 7.5.24 Reserved

(D)

(D)

---

ACCESS SERVICE

---

- 7. Special Access Service (Cont'd)
  - 7.5 Rates and Charges (Cont'd)
    - 7.5.24 Reserved

(D)

(D)

---

ACCESS SERVICE

---

- 7. Special Access Service (Cont'd)
  - 7.5 Rates and Charges (Cont'd)
    - 7.5.24 Reserved

(D)

(D)

---

ACCESS SERVICE

---

- 7. Special Access Service (Cont'd)
  - 7.5 Rates and Charges (Cont'd)
    - 7.5.24 Reserved

(D)

(D)



---

ACCESS SERVICE

---

- 7. Special Access Service (Cont'd)
  - 7.5 Rates and Charges (Cont'd)
    - 7.5.24 Reserved

(D)

(D)

---

ACCESS SERVICE

---

- 7. Special Access Service (Cont'd)
  - 7.5 Rates and Charges (Cont'd)
    - 7.5.24 Reserved

(D)

(D)

---

ACCESS SERVICE

---

- 7. Special Access Service (Cont'd)
  - 7.5 Rates and Charges (Cont'd)
    - 7.5.24 Reserved

(D)

(D)

ACCESS SERVICE

---

- 7. Special Access Service (Cont'd)
  - 7.5 Rates and Charges (Cont'd)
    - 7.5.24 Reserved

(D)

(D)

---

ACCESS SERVICE

---

- 7. Special Access Service (Cont'd)
  - 7.5 Rates and Charges (Cont'd)
    - 7.5.24 Reserved

(D)

(D)

---

ACCESS SERVICE

---

- 7. Special Access Service (Cont'd)
  - 7.5 Rates and Charges (Cont'd)
    - 7.5.24 Reserved

(D)

(D)

---

ACCESS SERVICE

---

- 7. Special Access Service (Cont'd)
  - 7.5 Rates and Charges (Cont'd)
    - 7.5.25 Reserved

(D)

(D)

---

ACCESS SERVICE

---

- 7. Special Access Service (Cont'd)
  - 7.5 Rates and Charges (Cont'd)
    - 7.5.25 Reserved

(D)

(D)



ACCESS SERVICE

---

- 7. Special Access Service (Cont'd)
  - 7.5 Rates and Charges (Cont'd)
    - 7.5.25 Reserved

(D)

(D)

---

ACCESS SERVICE

---

- 7. Special Access Service (Cont'd)
  - 7.5 Rates and Charges (Cont'd)
    - 7.5.25 Reserved

(D)

(D)

---

ACCESS SERVICE

---

- 7. Special Access Service (Cont'd)
  - 7.5 Rates and Charges (Cont'd)
    - 7.5.25 Reserved

(D)

(D)

---

ACCESS SERVICE

---

- 7. Special Access Service (Cont'd)
  - 7.5 Rates and Charges (Cont'd)
    - 7.5.25 Reserved

(D)

(D)

ACCESS SERVICE

---

- 7. Special Access Service (Cont'd)
  - 7.5 Rates and Charges (Cont'd)
    - 7.5.25 Reserved

(D)

(D)

---

ACCESS SERVICE

---

- 7. Special Access Service (Cont'd)
  - 7.5 Rates and Charges (Cont'd)
    - 7.5.25 Reserved

(D)

(D)

---

ACCESS SERVICE

---

- 7. Special Access Service (Cont'd)
  - 7.5 Rates and Charges (Cont'd)
    - 7.5.25 Reserved

(D)

(D)

---

ACCESS SERVICE

---

- 7. Special Access Service (Cont'd)
  - 7.5 Rates and Charges (Cont'd)
    - 7.5.25 Reserved

(D)

(D)



ACCESS SERVICE

---

- 7. Special Access Service (Cont'd)
  - 7.5 Rates and Charges (Cont'd)
    - 7.5.25 Reserved

(D)

(D)

---

ACCESS SERVICE

---

- 7. Special Access Service (Cont'd)
  - 7.5 Rates and Charges (Cont'd)
    - 7.5.25 Reserved

(D)

(D)

---

ACCESS SERVICE

---

- 7. Special Access Service (Cont'd)
  - 7.5 Rates and Charges (Cont'd)
    - 7.5.25 Reserved

(D)

(D)

---

ACCESS SERVICE

---

- 7. Special Access Service (Cont'd)
  - 7.5 Rates and Charges (Cont'd)
    - 7.5.25 Reserved

(D)

(D)

---

ACCESS SERVICE

---

- 7. Special Access Service (Cont'd)
  - 7.5 Rates and Charges (Cont'd)
    - 7.5.25 Reserved

(D)

(D)

ACCESS SERVICE

---

- 7. Special Access Service (Cont'd)
  - 7.5 Rates and Charges (Cont'd)
    - 7.5.25 Reserved

(D)

(D)

ACCESS SERVICE

---

- 7. Special Access Service (Cont'd)
  - 7.5 Rates and Charges (Cont'd)
    - 7.5.25 Reserved

(D)

(D)

---

ACCESS SERVICE

---

- 7. Special Access Service (Cont'd)
  - 7.5 Rates and Charges (Cont'd)
    - 7.5.25 Reserved

(D)

(D)



ACCESS SERVICE

---

- 7. Special Access Service (Cont'd)
  - 7.5 Rates and Charges (Cont'd)
    - 7.5.25 Reserved

(D)

(D)

---

ACCESS SERVICE

---

- 7. Special Access Service (Cont'd)
  - 7.5 Rates and Charges (Cont'd)
    - 7.5.25 Reserved

(D)

(D)

---

ACCESS SERVICE

---

- 7. Special Access Service (Cont'd)
  - 7.5 Rates and Charges (Cont'd)
    - 7.5.25 Reserved

(D)

(D)

---

ACCESS SERVICE

---

- 7. Special Access Service (Cont'd)
  - 7.5 Rates and Charges (Cont'd)
    - 7.5.25 Reserved

(D)

(D)

ACCESS SERVICE

---

- 7. Special Access Service (Cont'd)
  - 7.5 Rates and Charges (Cont'd)
    - 7.5.25 Reserved

(D)

(D)

ACCESS SERVICE

---

- 7. Special Access Service (Cont'd)
  - 7.5 Rates and Charges (Cont'd)
    - 7.5.25 Reserved

(D)

(D)

ACCESS SERVICE

---

- 7. Special Access Service (Cont'd)
  - 7.5 Rates and Charges (Cont'd)
    - 7.5.25 Reserved

(D)

(D)

---

ACCESS SERVICE

---

- 7. Special Access Service (Cont'd)
  - 7.5 Rates and Charges (Cont'd)
    - 7.5.25 Reserved

(D)

(D)



---

ACCESS SERVICE

---

- 7. Special Access Service (Cont'd)
  - 7.5 Rates and Charges (Cont'd)
    - 7.5.25 Reserved

(D)

(D)

---

ACCESS SERVICE

---

- 7. Special Access Service (Cont'd)
  - 7.5 Rates and Charges (Cont'd)
    - 7.5.25 Reserved

(D)

(D)

---

ACCESS SERVICE

---

- 7. Special Access Service (Cont'd)
  - 7.5 Rates and Charges (Cont'd)
    - 7.5.25 Reserved

(D)

(D)

ACCESS SERVICE

---

- 7. Special Access Service (Cont'd)
  - 7.5 Rates and Charges (Cont'd)
    - 7.5.25 Reserved

(D)

(D)

---

ACCESS SERVICE

---

- 7. Special Access Service (Cont'd)
  - 7.5 Rates and Charges (Cont'd)
    - 7.5.25 Reserved

(D)

(D)

ACCESS SERVICE

---

- 7. Special Access Service (Cont'd)
  - 7.5 Rates and Charges (Cont'd)
    - 7.5.25 Reserved

(D)

(D)

---

ACCESS SERVICE

---

- 7. Special Access Service (Cont'd)
  - 7.5 Rates and Charges (Cont'd)
    - 7.5.25 Reserved

(D)

(D)

---

ACCESS SERVICE

---

- 7. Special Access Service (Cont'd)
  - 7.5 Rates and Charges (Cont'd)
    - 7.5.25 Reserved

(D)

(D)



---

ACCESS SERVICE

---

- 7. Special Access Service (Cont'd)
  - 7.5 Rates and Charges (Cont'd)
    - 7.5.25 Reserved

(D)

(D)

---

ACCESS SERVICE

---

- 7. Special Access Service (Cont'd)
  - 7.5 Rates and Charges (Cont'd)
    - 7.5.25 Reserved

(D)

(D)

---

ACCESS SERVICE

---

- 7. Special Access Service (Cont'd)
  - 7.5 Rates and Charges (Cont'd)
    - 7.5.25 Reserved

(D)

(D)

---

ACCESS SERVICE

---

- 7. Special Access Service (Cont'd)
  - 7.5 Rates and Charges (Cont'd)
    - 7.5.25 Reserved

(D)

(D)

---

ACCESS SERVICE

---

- 7. Special Access Service (Cont'd)
  - 7.5 Rates and Charges (Cont'd)
    - 7.5.25 Reserved

(D)

(D)

---

ACCESS SERVICE

---

- 7. Special Access Service (Cont'd)
  - 7.5 Rates and Charges (Cont'd)
    - 7.5.25 Reserved

(D)

(D)

---

ACCESS SERVICE

---

- 7. Special Access Service (Cont'd)
  - 7.5 Rates and Charges (Cont'd)
    - 7.5.25 Reserved

(D)

(D)

ACCESS SERVICE

---

- 7. Special Access Service (Cont'd)
  - 7.5 Rates and Charges (Cont'd)
    - 7.5.25 Reserved

(D)

(D)



ACCESS SERVICE

---

- 7. Special Access Service (Cont'd)
  - 7.5 Rates and Charges (Cont'd)
    - 7.5.25 Reserved

(D)

(D)

---

ACCESS SERVICE

---

- 7. Special Access Service (Cont'd)
  - 7.5 Rates and Charges (Cont'd)
    - 7.5.25 Reserved

(D)

(D)

---

ACCESS SERVICE

---

- 7. Special Access Service (Cont'd)
  - 7.5 Rates and Charges (Cont'd)
    - 7.5.25 Reserved

(D)

(D)

---

ACCESS SERVICE

---

- 7. Special Access Service (Cont'd)
  - 7.5 Rates and Charges (Cont'd)
    - 7.5.25 Reserved

(D)

(D)

ACCESS SERVICE

---

- 7. Special Access Service (Cont'd)
  - 7.5 Rates and Charges (Cont'd)
    - 7.5.25 Reserved

(D)

(D)

---

ACCESS SERVICE

---

- 7. Special Access Service (Cont'd)
  - 7.5 Rates and Charges (Cont'd)
    - 7.5.25 Reserved

(D)

(D)

---

ACCESS SERVICE

---

- 7. Special Access Service (Cont'd)
  - 7.5 Rates and Charges (Cont'd)
    - 7.5.25 Reserved

(D)

(D)

---

ACCESS SERVICE

---

- 7. Special Access Service (Cont'd)
  - 7.5 Rates and Charges (Cont'd)
    - 7.5.25 Reserved

(D)

(D)



---

ACCESS SERVICE

---

7. Special Access Service (Cont'd)

7.6 Individual Case Filings

Rates and charges for Special Access Service provided on an individual case basis are filed following: